

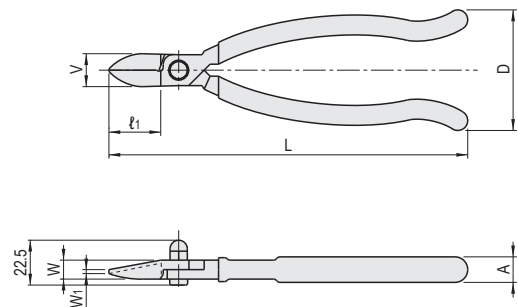
SPRUE PULLER / PLIERS

-BRASS-

■ Application It is used for pulling out a sprue stuck inside the sprue bushing.

■ Brass Nippers (Sprue Puller)

M-PB-SP



Material Tip: Brass

L Total length (mm)	e ₁	V	D	W	W ₁	A	Part Number		Unit price 1-5 pcs
							Type	No.	
180	26	16.5	55	9.5	2	12.8	M-PB-SP	1	Quotation
250	35	22.5	62	13	2.5	16		2	



Order

Part Number

M-PB-SP1

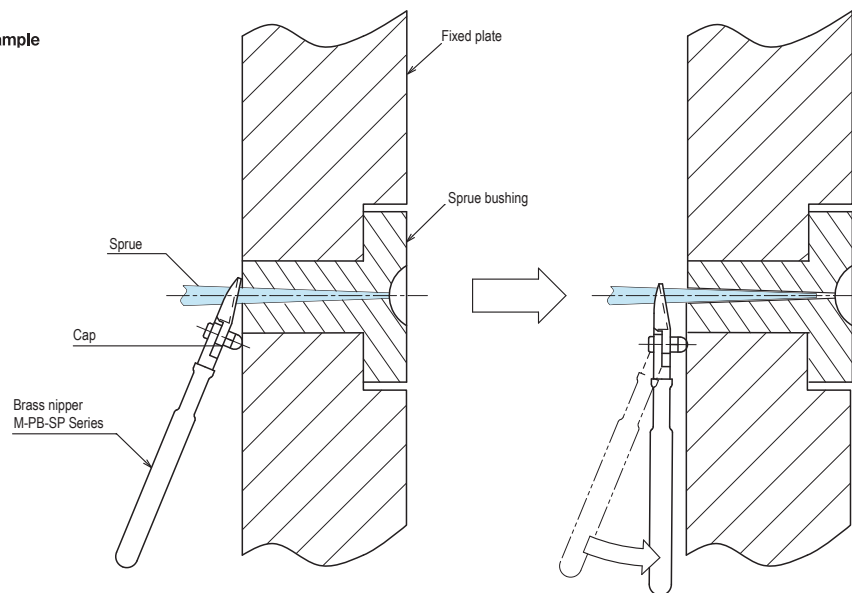


Days to Ship

Quotation



Example



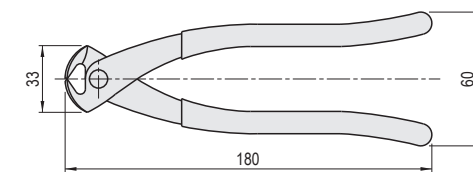
Place the cap nut onto the cavity as shown above and grasp the sprue with the tips of the brass nippers. As the cap nut is also made of brass, it won't easily leave scratches or dents to the cavity side of the mold.

Using the cap nut as a fulcrum, push the handle as shown in the above figure, then pull out the sprue using the principle of leverage.

■ Application It is used for pulling out a sprue stuck inside the sprue bushing.

■ Brass Cutting Nippers (Sprue Puller)

M-PB-R1



Material Tip: Brass

Part Number	Unit price 1-3 pcs
M-PB-R1	Quotation



Order

Part Number

M-PB-R1



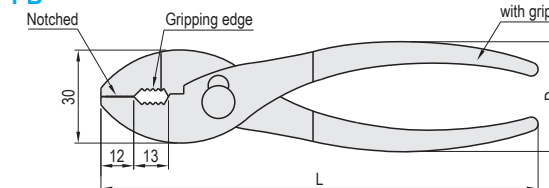
Days to Ship

Quotation

■ Application It is used for grasping screw head of nozzle and etc.

■ Brass Pliers

M-PB



Material Tip: Brass

Opening (mm)	L Total length (mm)	D	Part Number		Unit price 1-5 pcs
			Type	No.	
70	150	44	M-PB	1	Quotation
85	200	54		2	



Order

Part Number

M-PB1



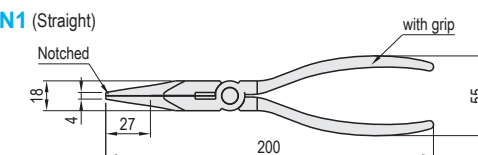
Days to Ship

Quotation

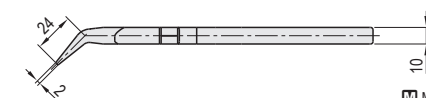
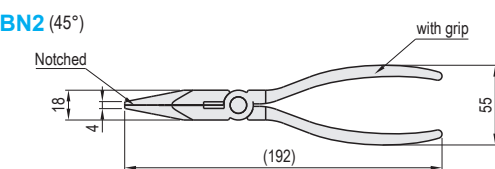
■ Application It is used for grasping parts in narrow areas.

■ Brass Longnose Pliers (Straight, 45°)

M-PBN1 (Straight)



M-PBN2 (45°)



Material Tip: Brass

Opening (mm)	Tip shape	Part Number		Unit price 1-5 pcs
		Type	No.	
75	Straight	M-PBN	1	Quotation
	45°		2	



Order

Part Number

M-PBN1



Days to Ship

Quotation