
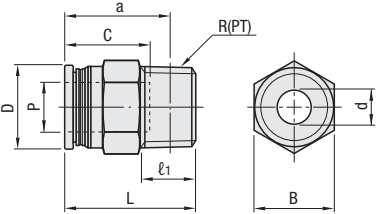


# QUICK-FITTING JOINTS FOR MOLD COOLING—INTEGRATED PLUG • SOCKET—

—FOR HIGH TEMPERATURE TYPE (HEAT RESISTANT 120°C SERIES)—

Ⓜ Non JIS material definition is listed on P.1351 - 1352


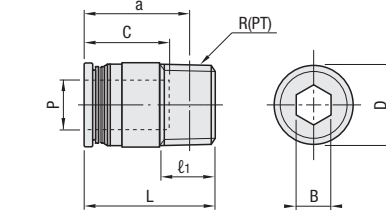
**RoHS** **M-120KC**

**M** Body: Brass (C3604)+Electroless Nickel plating  
 Release ring: Brass (C3604)+Electroless Nickel plating  
 Thread: Brass (C3604)+Electroless Nickel plating  
 Thread JIS B0203 tapered thread for tubing R(PT)  
 ※Thread part is applied with heat resistant sealant.  
 Seal rubber: Fluoric rubber  
 Ⓜ M-120KC is made in integral structure, and cannot be disassembled.  
 Ⓜ Use in normal pressure 300kPa (3kgf/cm<sup>2</sup>) or lower.  
 Ⓜ Set the surge pressure (the pressure that acts instantaneously due to an impact flow) so that it does not exceed the maximum working pressure (300 kPa).  
 Ⓜ The exterior of M-120KC is similar to M-KC, so distinguish them from each other by observing the color of the rubber on the inside of the tube insertion hole.  
 (M-120KC uses green rubber, and M-KC uses black rubber.)  
 Ⓜ Be sure to use an insert sleeve (P.1102) when using M-120KC.  
 Ⓜ Keep water temperature under 120°C.

Matching tubes Outer×Inner dia.	Tube inserting hole		D	d	L	a	B	ℓ1	R(PT)	Part Number		U/Price 1~19
	Hole dia. P	Depth C								Type	No.	
6×4	6	16.6	11.4	4	22.2	18.2	12	8	1/8	<b>M-120KC</b>	6-01-1-F	<b>Quotation</b>
8×6	8	17.7	13.4	6	27.4	23.4	14				11	
					26.1	20.1		8-02-1-F				
10×7.5	10	20	16.4	8	30.1	26.1	17	8	1/8		10-01-1-F	
					24.1	21.1		10-02-1-F				
					28.6	22.3		10-03-1-F				
					35.2	29.2		12-02-1-F				
12×9	12	22.6	19.4	8.5	35.2	29.2	21	11	1/4		12-02-1-F	
				9	31.2	24.9		12	3/8		12-03-1-F	

**RoHS** **M-120KOC**

**M** Body: Brass (C3604)+Electroless Nickel plating  
 Release ring: Brass (C3604)+Electroless Nickel plating  
 Thread: Brass (C3604)+Electroless Nickel plating  
 Thread JIS B0203 tapered thread for tubing R(PT)  
 ※Thread part is applied with heat resistant sealant.  
 Seal rubber: Fluoric rubber  
 Ⓜ M-120KOC is made in integral structure, and cannot be disassembled.  
 Ⓜ Use in normal pressure 300kPa (3kgf/cm<sup>2</sup>) or lower.  
 Ⓜ Set the surge pressure (the pressure that acts instantaneously due to an impact flow) so that it does not exceed the maximum working pressure (300 kPa).  
 Ⓜ The exterior of M-120KOC is similar to M-KOC, so distinguish them from each other by observing the color of the rubber on the inside of the tube insertion hole.  
 (M-120KOC uses green rubber, and M-KOC uses black rubber.)  
 Ⓜ Be sure to use an insert sleeve (P.1102) when using M-120KOC.  
 Ⓜ Keep water temperature under 120°C.


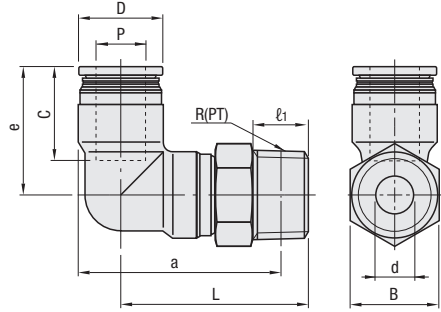
Matching tubes Outer×Inner dia.	Tube inserting hole		D	L	a	B	ℓ1	R(PT)	Part Number		U/Price 1~19
	Hole dia. P	Depth C							Type	No.	
6×4	6	16.6	11.9	22.2	18.2	4	8	1/8	<b>M-120KOC</b>	6-01-1-F	<b>Quotation</b>
8×6	8	17.7	13.9	27.4	23.4	5				8-01-1-F	
				26.1	20.1	8-02-1-F					
10×7.5	10	20	16.9	29.1	23.1	6	11	1/4		10-02-1-F	
12×9	12	22.6	20.8	31.2	24.9	8	12	3/8		12-03-1-F	

 Order **Part Number**  
 M-120KC8-01-1-F  
 M-120KOC6-01-1-F

 Days to Ship **Quotation**

 Price **Quotation**

**RoHS** **M-120KL**

**M** Body: Brass (C3604)+Electroless Nickel plating  
 Release ring: Brass (C3604)+Electroless Nickel plating  
 Thread: Brass (C3604)+Electroless Nickel plating  
 Thread JIS B0203 tapered thread for tubing R(PT)  
 ※Thread part is applied with heat resistant sealant.  
 Seal rubber: Fluoric rubber  
 Ⓜ M-120KL is made in integral structure, and cannot be disassembled.  
 Ⓜ Use in normal pressure 300kPa (3kgf/cm<sup>2</sup>) or lower.  
 Ⓜ Set the surge pressure (the pressure that acts instantaneously due to an impact flow) so that it does not exceed the maximum working pressure (300 kPa).  
 Ⓜ The exterior of M-120KL is similar to M-KL, so distinguish them from each other by observing the color of the rubber on the inside of the tube insertion hole.  
 (M-120KL uses green rubber, and M-KL uses black rubber.)  
 Ⓜ Be sure to use an insert sleeve (P.1102) when using M-120KL.  
 Ⓜ Keep water temperature under 120°C.


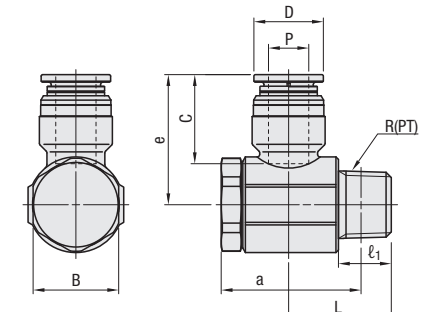
Matching tubes Outer×Inner dia.	Tube inserting hole		D	d	L	a	e	B	ℓ1	R(PT)	Part Number		U/Price 1~19
	Hole dia. P	Depth C									Type	No.	
6×4	6	16.5	12.5	4	25	27.3	20.1	12	8	1/8	<b>M-120KL</b>	6-01-1-F	<b>Quotation</b>
8×6	8	17.7	14.5	6	28	31.3	22.3	14				8-01-1-F	
					31	32.2			8-02-1-F				
10×7.5	10	20	18.5	8	35.5	38.7	26.1	17	11	1/4		10-02-1-F	
					36.5	39.4			12	3/8		10-03-1-F	
					37.5	42.2			11	1/4		12-02-1-F	
12×9	12	22.6	21.5	9	38.5	42.9	29.7	21	12	3/8		12-03-1-F	

 Order **Part Number**  
 M-120KL6-01-1-F

 Days to Ship **Quotation**

 Price **Quotation**

**RoHS** **M-120KH**

**M** Body: Brass (C3604)+Electroless Nickel plating  
 Release ring: Brass (C3604)+Electroless Nickel plating  
 Thread: Brass (C3604)+Electroless Nickel plating  
 Thread JIS B0203 tapered thread for tubing R(PT)  
 ※Thread part is applied with heat resistant sealant.  
 Seal rubber: Fluoric rubber  
 Ⓜ M-120KH is made in integral structure, and cannot be disassembled.  
 Ⓜ Use in normal pressure 300kPa (3kgf/cm<sup>2</sup>) or lower.  
 Ⓜ Keep water temperature under 120°C.  
 Ⓜ Set the surge pressure (the pressure that acts instantaneously due to an impact flow) so that it does not exceed the maximum working pressure (300 kPa).  
 Ⓜ Be sure to use an insert sleeve (P.1102) when using this socket.

Matching tubes Outer×Inner dia.	Tube inserting hole		D	Allen side B	L	a	e	ℓ1	R(PT)	Part Number		U/Price 1~19
	Hole dia. P	Depth C								Type	No.	
6×4	6	16.5	12.5	14	15.6	23.8	23.2	8	1/8	<b>M-120KH</b>	6-01-1	<b>Quotation</b>
8×6	8	17.7	14.5	14	15.6	23.8	24.4	8	1/8		8-01-1	
				17	20.4	28.3	25.9	11	1/4		8-02-1	
10×7.5	10	20	18.5	17	20.4	28.3	28	11	1/4		10-02-1	
12×9	12	22.6	21.5	21	23.1	32.4	32.4	12	3/8		12-03-1	

 Order **Part Number**  
 M-120KH6-01-1

 Days to Ship **Quotation**

 Price **Quotation**

Cooling Components  
Couplers  
Quick Fitting Joints