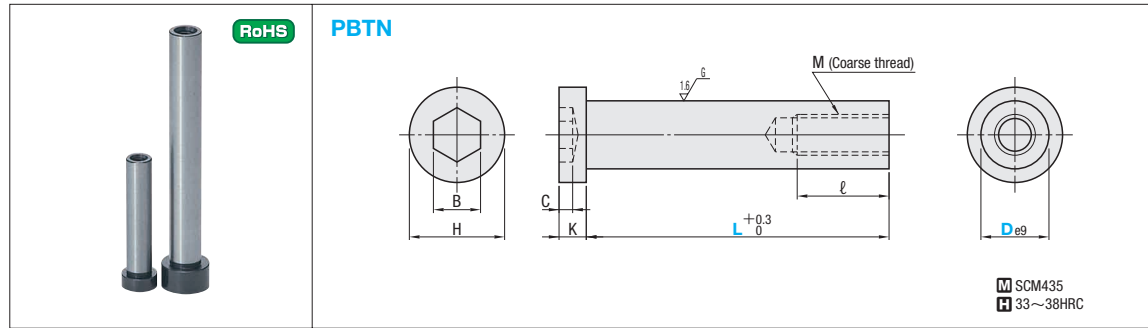


# PULLER BOLTS

— FEMALE SCREW TYPE —



C	K	H	B	M	ℓ	Part Number Type	D	L	U/Price 1~9
4	8	16	6	6	17	PBTN	10	40 50 60 70	
								80 90	
								100 110 120	
								130 140 150	
								160 170 180	
4	8	18	8	8	20	PBTN	13	60 70	
								80 90	
								100 110 120	
								130 140 150	
								160 170 180	
7	13	24	10	10	23	PBTN	16	190 200 210	
								220 230 240 250 260	
								280 300	
								100 110 120	
								130 140 150	
9	13	27	14	12	26	PBTN	20	160 170 180	
								190 200 210	
								220 230 240 250 260	
								280 300	
								350	
10	18	33	17	16	32	PBTN	25	170 180	
								190 200	
								210 220	
								230 240	
								250 260	
10	18	40	17	20	38	PBTN	30	280 300	
								350	
								400	
								200	
								250	

**Order** Part Number **PBTN13** - L **110**

**Days to Ship** **Quotation**

**Price** **Quotation**

**Alterations** Part Number **PBTN20** - L (LC) - (SC) **LC205**

**Quotation**

Alterations	Code	Spec.	1Code
	LC	L dimension alteration D LC 10 35~175 13 55~275 16 95~295 20 115~395 25 165~395 30 205~395	<b>Quotation</b>
		5mm increments	
	SC	Spanner groove alteration D W ℓ <sub>1</sub> 13 11 20 16 14 20 18 25 23 30 28	

Available when D ≥ 13

To control mold opening stroke by means of puller bolts alone, make sure to use puller bolt collars designed specially for them.

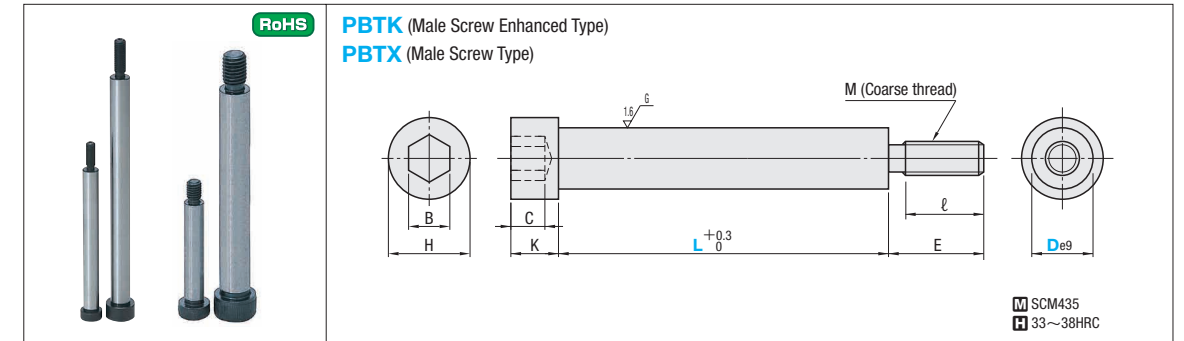
## Precision Standard for Puller Bolts

Reference item	Overview	Allowable range
Squareness of the shank part		Squareness of the head's internal plane against the vertical direction of shaft D. $a \leq 0.05$ per 100mm
Warpage of the shank part		Warpage of shaft D in L direction referring to the head's internal plane $c \leq 0.04$ per 100mm
D dimension and precision of end face		D and squareness of the end face 0.05 or less D and coaxiality of the tap 0.2 or less

# PULLER BOLTS

— MALE SCREW TYPE (Enhanced) —

Non JIS material definition is listed on P.1351 - 1352



C	K	H	B	E	M	ℓ	Part Number Type	D	L	U/Price for 1~9	
4	8	8	16	6	19	M 8 M 6	17	PBTK (Male Screw Enhanced Type)	10	100 110 120	
										130 140 150	
4	10	8	18	8	22	M10 M 8	20	PBTK	13	100 110 120	
										130 140 150	
7	14	13	24	10	30	M12 M10	23	PBTK	16	160 170 180	
										190 200	
9	18	13	27	14	38	M16 M12	26	PBTK	20	210 220 230 240 260	
										140 150	
10	19	18	33	17	44	M20 M16	32	PBTK	25	160 170 180	
										190 200	
										210 220	
										230 240	
										250 260	
										280 300	
										320	
										350	

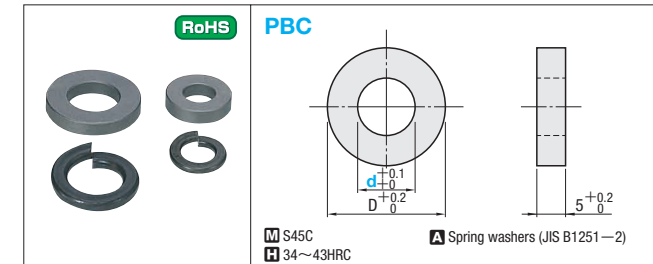
PBTK · PBTK cannot be used in combination with PBTN.

**Order** Part Number **PBTK20** - L **160**

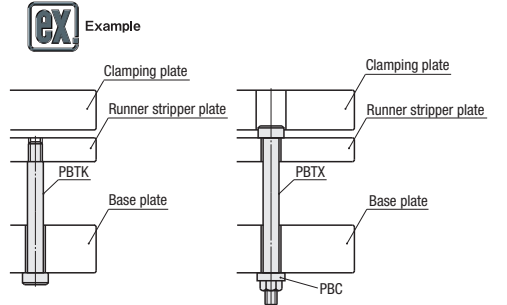
**Days to Ship** **Quotation**

**Price** **Quotation**

## Puller Bolt Collars



D	d	Applicable puller bolt dia.	Part Number Type	d	U/Price 1~9
15	6	10	PBC	6	
18	8	13		8	
21	10	16		10	
25	12	20		12	
30	16	25		16	



**Order** Part Number **PBC8**

**Days to Ship** **Quotation**

**Price** **Quotation**