

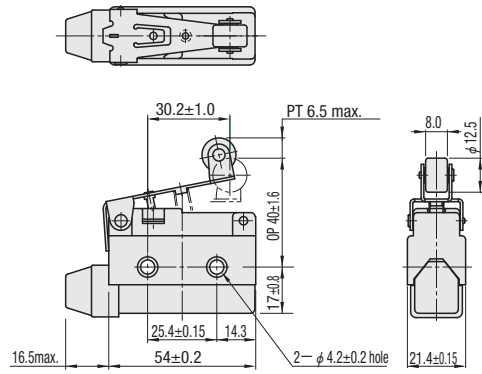
EJECTOR PLATE RETURN DETECTION SWITCHES

— Enduring type —

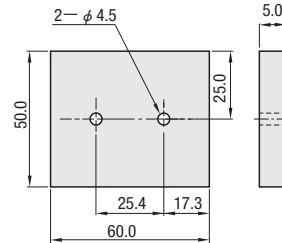
ⓘ Non JIS material definition is listed on P.1351 - 1352



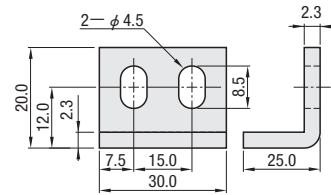
① **EGSM-S** (Microswitch: Roller • Short lever)



③ **EGS-D** (Heat insulation plate)



② **EGSM-L** (L-angle plate)



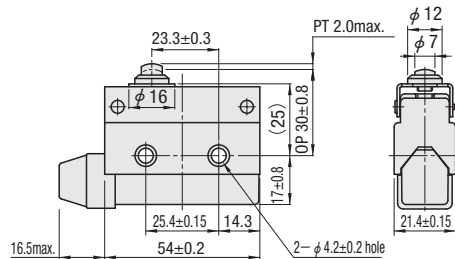
Force needed to start (OF)	: 240gf			
Return force (RF)	: 80gf			
Movement till starting (PT)	: 6.5mm			
Movement after starting (OT)	: 2.0mm			
Differential motion (MD)	: 1.5mm			
Operation point (OP)	: 40.0 ± 1.6mm			
Load Voltage	Resistance Load	Induction Load	Motor or Light Bulb Load	
			Normally-closed	Normally-opened
AC125V	10A	6A	3A	1.5A
AC250V	10A	4A	1.5A	1A
DC115V	10A	0.05A	—	—

Circumferential temperature to be used: -20°C ~ +60°C

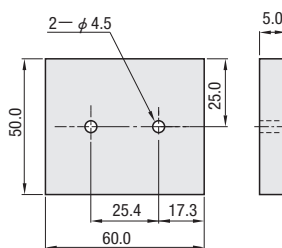
② M SPCC
③ M Bakelite (black)



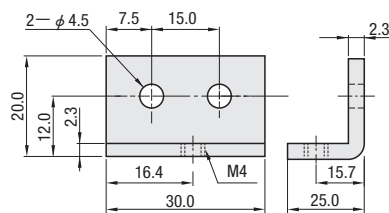
④ **EGSP-S** (Microswitch: Short pushing • Plunger)



③ **EGS-D** (Heat insulation plate)



⑤ **EGSP-L** (L-angle plate)



Force needed to start (OF)	: 600gf			
Return force (RF)	: 100gf			
Movement till starting (PT)	: 2.0mm			
Movement after starting (OT)	: 0.8mm			
Differential motion (MD)	: 0.8mm			
Operation point (OP)	: 30.0 ± 0.8mm			
Load Voltage	Resistance Load	Induction Load	Motor or Light Bulb Load	
			Normally-closed	Normally-opened
AC125V	10A	6A	3A	1.5A
AC250V	10A	4A	1.5A	1A
DC115V	10A	0.05A	—	—

Circumferential temperature to be used: -20°C ~ +60°C

⑤ M SPCC
A CB4-20 (1 pc.) M4 nut (2 pcs.)
⑥ M Bakelite (black)

No.	Part Number	U/Price	
		1~9	10~19
Set of ①+②+③	EGSM (incl. 2 pcs. of CB4-35)		
Set of ④+⑤+③	EGSP (incl. 2 pcs. of CB4-35)		
Switch ①	EGSM-S		
L-angle plate ②	EGSM-L	Quotation	
Heat insulation plate ③	EGS-D		
Switch ④	EGSP-S		
L-angle plate ⑤	EGSP-L		

ⓘ CB4-35 is included only in the set products.

Order Part Number
EGSM
EGSM-S

Days to Ship **Quotation**



Examples of bolt hole boring on a mold base

Note: Following diagram is an example of bolt hole boring. Adjust with the size of mold base.

Bolt hole boring examples	Switch mounting examples
<p>EGSM</p> <p>2-M4 (16.3, -35.0) (41.7, -35.0)</p>	<p>EGSM</p>
<p>EGSP</p> <p>2-M4 21.3, -31.0 (46.7, -31.0)</p>	<p>EGSP</p> <p>Adjust contact point to the switch by changing bolt position</p>

Note: Compared with conventional switches for detection of returning ejector plate (EGS and EGS-V in P.1003), EGSM-S and EGSP-S are excellent in endurance as the switch casing is covered by reinforced plastic.

Note: Switch casing is also superior in dust proof and oil resistant as the casing is tightly closed with compressed rubber ring and diaphragm

Note: Indications for mechanical lifetime as 10 million operations or more (open/close frequency; 50 times / minute), electrical lifetime (resistance load) as 200 thousands operations or more (open/close frequency; 20 times / minute)