


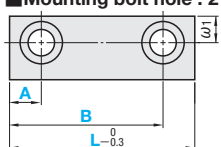
PLAIN GUIDE RAILS

—FREE DESIGNATION TYPE/NON-OIL GROOVE TYPE • OIL GROOVE TYPE—

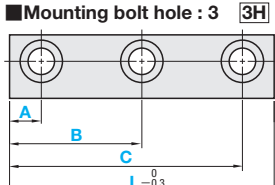
ⓘ Non JIS material definition is listed on P.1351 - 1352



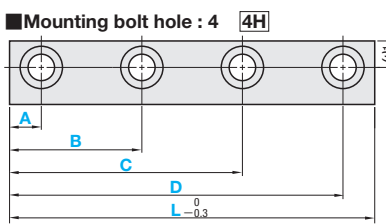
■ Mounting bolt hole : 2 [2H]



■ Mounting bolt hole : 3 [3H]



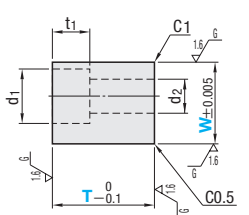
■ Mounting bolt hole : 4 [4H]



■ Table for Bolt Hole Size

W	T	d ₁	d ₂	t ₁	ω ₁
10	10~20				4.5
12.5	10~30	8	4.5	5	5
20	10~40	9.5	5.5	6	6
	15~24	11	6.5	7	9
25	25~50	14	9	9	10
	20~50				
30	25~50	17	11.5	11	11
35	30~35				
40	30~50	19	12.5	13	13

■ Details of Oil Groove (FGRSM-□H · FGRMM-□H)

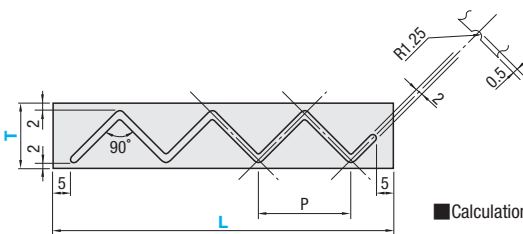


ⓘ All corners C ≤ 1 unless specified.

■ Oil Groove Pitch

T	P
10~12	8
13~14	13
15~19	18
20~24	28
25~29	38
30~34	48
35~39	58
40~50	68

ⓘ Please note that if L ≤ P + 10, there is the possibility that 1 cycle (1 pitch) of oil groove can not be cut.



■ Calculation method for oil groove pitch
P = (T - 6) × 2

Part Number		M	H
Non-oil groove	Oil groove		
FGRS-□H	FGRSM-□H	SKS3	53~56HRC
FGRM-□H	FGRMM-□H	HPM2T equivalent	37~41HRC

Part Number	No. (Bolt hole)	W	T	L	Bolt hole pitch 0.5mm increments									
					1mm increments	5mm increments	A		B		C		D	
							min.	max.	min.	max.	min.	max.	min.	max.
Non-oil groove FGRS (SKS3) FGRM (HPM2T equivalent) Oil groove FGRSM (SKS3) FGRMM (HPM2T equivalent)	2H	10	10~20	*35~100	6	B-10	A+10	2H L-6	B+10	3H L-6	C+10	4H L-6		
								3H C-10		4H C-10				
	3H	12.5	10~30	40~150	7	B-11.5	A+11.5	2H L-7	B+11.5	3H L-7	C+11.5	4H L-7		
								3H C-11.5		4H D-11.5				
	4H	15	10~40	40~200	7.5	B-13	A+13	2H L-7.5	B+13	3H L-7.5	C+13	4H L-7.5		
								3H C-13		4H D-13				
	2H	20	15~24	40~200	9	B-16	A+16	2H L-9	B+16	3H L-9	C+16	4H L-9		
								3H C-16		4H D-16				
	3H	25	20~50	50~200	10.5	B-19	A+19	2H L-10.5	B+19	3H L-10.5	C+19	4H L-10.5		
								3H C-19		4H D-19				
	4H	30	25~50	120~200	9	B-16	A+16	2H L-9	B+16	3H L-9	C+16	4H L-9		
								3H C-16		4H D-16				
2H	35	30~35	50~200	10.5	B-19	A+19	2H L-10.5	B+19	3H L-10.5	C+19	4H L-10.5			
							3H C-19		4H D-19					
3H	40	30~50	50~200	9	B-16	A+16	2H L-9	B+16	3H L-9	C+16	4H L-9			
							3H C-16		4H D-16					
4H	40	30~50	50~200	10.5	B-19	A+19	2H L-10.5	B+19	3H L-10.5	C+19	4H L-10.5			
							3H C-19		4H D-19					

ⓘ L35 with * mark is only applicable to non-oil groove type, FGRS and FGRM.

Order

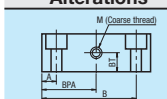
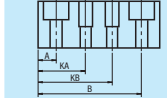
Part Number	T	L	A	B	C	D
2H FGRS-2H12.5	10	100	A13.0	B33.5		
3H FGRS-3H12.5	10	100	A13.0	B33.5	C54.5	
4H FGRS-4H12.5	10	100	A13.0	B33.5	C54.5	D78.5

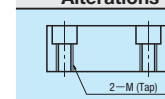
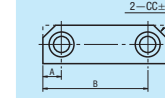
Days to Ship **Quotation**

Alterations

Part Number	T	L	A	B	(BP · KP · MC · CC)
FGRM-2H12.5	10	100	A13.0	B33.5	MC

Quotation

Alterations	Code	Spec.	1Code
	BP	Tapping Details P.683	Quotation
	KP	Dowel hole boring ⓘ Applicable to M HPM2T equivalent Details P.683	

Alterations	Code	Spec.	1Code
	MC	Change to tap hole ⓘ Applicable to W10~25 Details P.684	Quotation
	CC	C chamfering Details P.684	

P Price **Quotation**