


# OIL-FREE SLIDE INCLINED PIN HOLDERS FOR LOOSE CORE

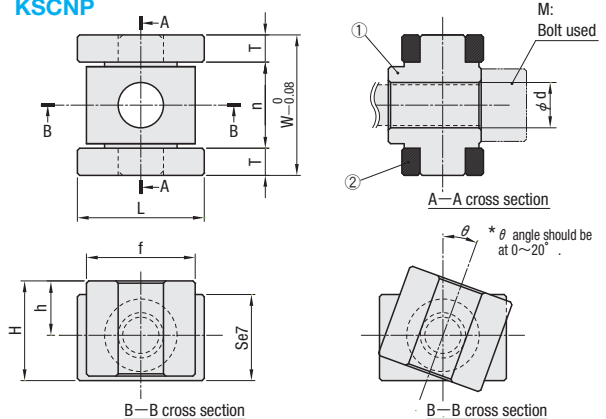
—SELECTION TYPE—

ⓘ Non JIS material definition is listed on P.1351 - 1352



**RoHS**

**KSCNP**



M: Bolt used

No.	Components	M	Piece
①	Inclined pin holder	SCM440	1
②	Slide plate	Sintered alloy+Steel	2

ⓘ Bolts are not attached.

W	T±0.01	L	Se7	H	h	φd	n	f	M	Part Number		U/Price 1~5
										Type	No.(M)	
14	3	12	8	10	6	4.5	8	12	M4	<b>KSCNP</b>	<b>4</b>	<b>Quotation</b>
16		15	10									
20	4	18	12	14	8	6.5	12	16	M6			
28		35	20									
31	6.5	40	20	21	12	10.5	18	22	M10			

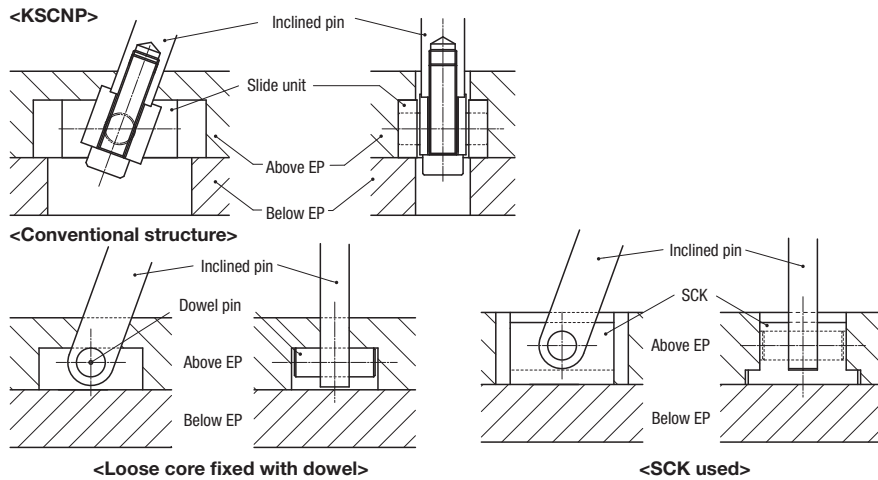
ⓘ To be quoted on price • lead time above Max. Q'ty.

Order **Part Number**  
**KSCNP4**

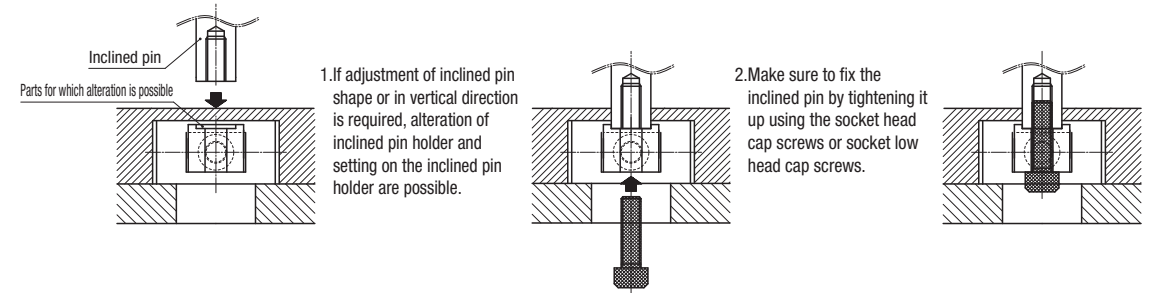
Days to Ship **Quotation**

### Characteristics

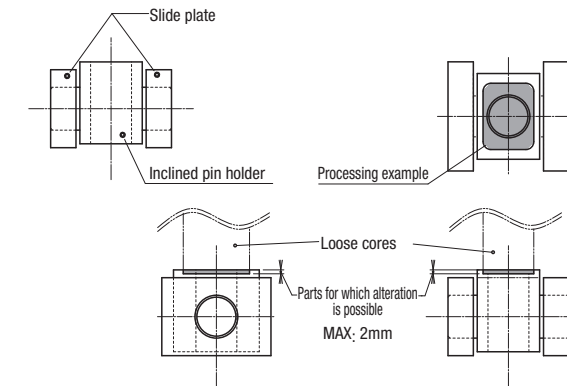
- Space is reduced to process the slide base on mold's body.
- The equipment is structured to tighten the inclined pins from beneath with bolts, so installation, removal and length adjustment of inclined pins are easy.
- Cannot be used for any structure that directly receives injection pressure.



### How to Mount

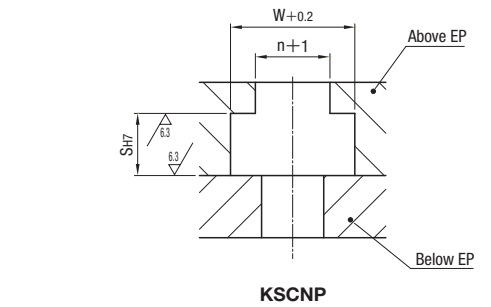


### Alteration Example



Alteration is possible on some part of inclined pin holder, so alteration for positioning and height adjustment is possible.  
※For alteration, the slide plate can be removed.

### Mounting process dimensions (reference values)



### Example

