

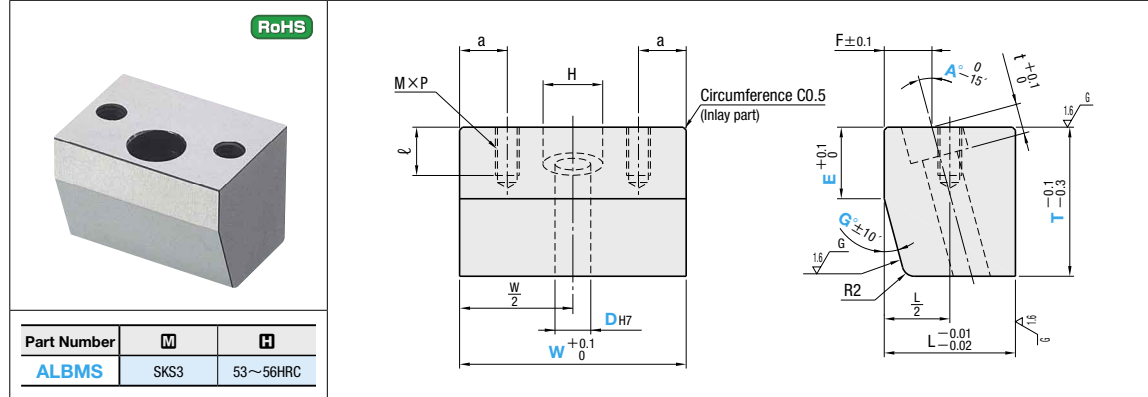
LOCKING BLOCKS WITH ANGULAR HOLES

LOCKING BLOCKS WITH ANGULAR HOLES

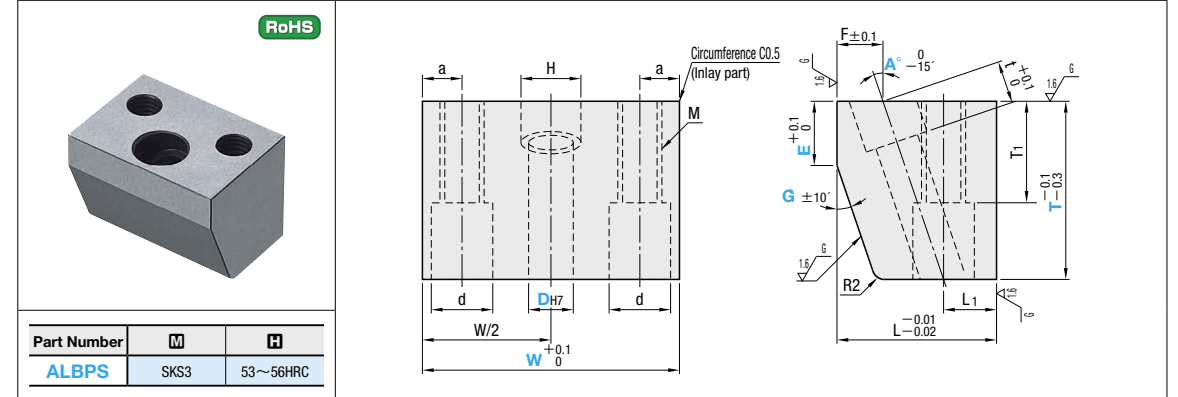
—PL INSTALLATION TYPE—

Compact type P.628

Non JIS material definition is listed on P.1351 - 1352



Compact type P.628



D _{H7}	H	F	t	M×P	a	L	Part Number Type	D	T	W	E 1mm increments	1° increments		U/Price 1~9
												A°	G°	
6	+0.012 0	10	6	8	4×0.7	5	ALBMS	6	20	38 48 58	10~13	10~20	G ≥ A+2 and G ≤ A+5	Quotation
									22		10~15			
									25		10~20			
									30		10~13			
									35		10~15			
8	+0.015 0	12	8	12	6×1.0	5	ALBMS	8	20	38 48 58	10~13	10~20	G ≥ A+2 and G ≤ A+5	Quotation
									25		10~15			
									30		10~20			
									35		10~13			
									40		10~15			
10	+0.015 0	14	10	16	8×1.25	10	ALBMS	10	20	38 48 58 68	10~13	10~20	G ≥ A+2 and G ≤ A+5	Quotation
									25		10~15			
									30		10~20			
									35		10~13			
									40		10~15			
13	+0.018 0	17	12	16	8×1.25	10	ALBMS	13	20	48 58 68 78	10~13	10~20	G ≥ A+2 and G ≤ A+5	Quotation
									25		10~15			
									30		10~20			
									35		10~13			
									40		10~15			

D _{H7}	H	F	t	T ₁	d	M	a	L ₁	L	Part Number Type	D	T	W	E 1mm increments	1° increments		U/Price 1~9
															A°	G°	
10	+0.015 0	14	10	10	14	10	9	12	32	ALBPS	10	30	48 58 68	10~20	10~20	G ≥ A+2 and G ≤ A+5	Quotation
												35		10~25			
												40		10~30			
												50		10~40			
												40		10~30			
13	+0.018 0	17	12	10	14	10	9	14	35	ALBPS	13	40	48 58 68 78	10~25	10~20	G ≥ A+2 and G ≤ A+5	Quotation
												45		10~30			
												50		10~40			
												55		10~50			
												60		10~30			
16	+0.018 0	20	15	13	17	12	12	16	40	ALBPS	16	45	58 68 78	10~25	10~20	G ≥ A+2 and G ≤ A+5	Quotation
												50		10~30			
												55		10~40			
												60		10~50			
												65		10~30			
20	+0.018 0	24	15	13	14	10	9	16	45	ALBPS	20	50	58 68 78	10~30	10~20	G ≥ A+2 and G ≤ A+5	Quotation
												55		10~40			
												60		10~50			
												65		10~30			
												70		10~40			

Order Part Number - T - W - E - A - G
ALBMS6 - T25 - W48 - E11 - A15 - G17

Order Part Number - T - W - E - A - G
ALBPS10 - T30 - W58 - E12 - A15 - G17

Days to Ship Quotation

Days to Ship Quotation

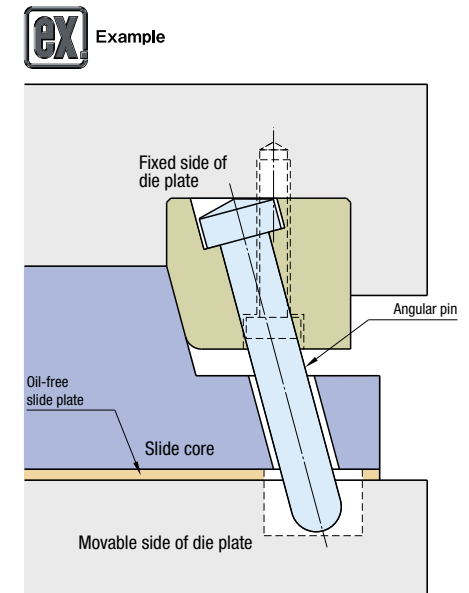
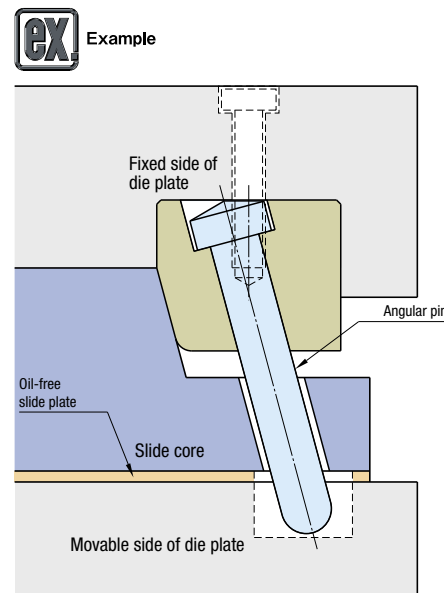
Price Quotation

Price Quotation

Alterations Part Number - T - W - E - A - G - (CC)
ALBMS10 - T35 - W48 - E12 - A18 - G20 - CC

Alterations Part Number - T - W - E - A - G - (CC)
ALBPS13 - T40 - W68 - E15 - A18 - G20 - CC

Alteration	Code	Spec.	1Code
4-C	CC	C chamfering process on 4 outer corners (W · L)	D6 · 8 D10 · 13
		D C	Quotation
		6 3	
		8 3	
		10 5	
		13 5	



Angular Pins Locking Blocks