

Low Dust Raise Greased Bearings with Housings

Single Bearings

Bearings with Housings / Bearings

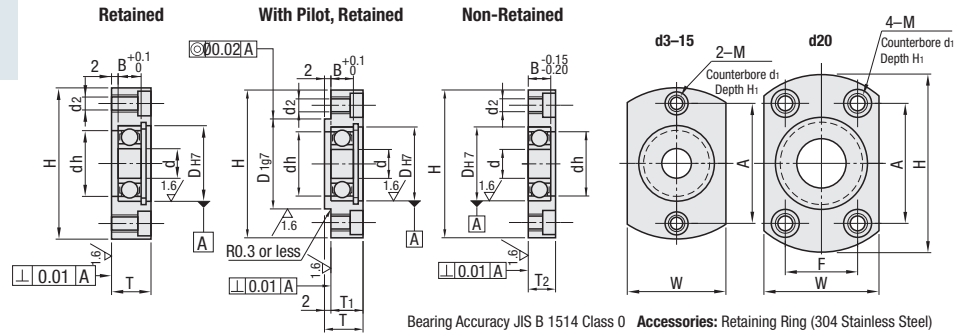
Low Dust Raise Greased Bearings with Housings – Single Bearings

RoHS 10

Retained	With Pilot, Retained	Unretained	Material		Surface Treatment
			Bearings	Housing	Housing
S-SBACA	S-SBACR	S-SBACN	Stainless Steel	2000 Series Aluminum Alloy	Clear Anodize
S-SBGCA	S-SBGCR	S-SBGCN		304 Stainless Steel or Equivalent	—

- ⊕ For Non-Retained Type, bearing may protrude 0.1–0.2 mm due to negative tolerance of B dimension.
- ⊕ Mounting holes are tapped and counterbored so the housing can be mounted from either side.

$$6.3 / (1.6 / \sqrt{\quad})$$



Type	Part Number Bearing No.	d	D _{H7}	Tolerance	B	H	W	T	T ₁	T ₂	dh	D ₁₉₇	Tolerance	A	F	M (Coarse) (d ₂)	d ₁	H ₁
Retained S-SBACA S-SBGCA	623ZZ	3	10	+0.015 0	4	33	16	9	7	6	7	14	-0.006 -0.024	24	—	M4 (3.3)	6.5	3.4
	624ZZ	4	13	+0.018 0	5	35	18	10	8	7	9	17	-0.007 -0.028	26				
	605ZZ	5	14		5	36	20	10	8	7	10	18		26				
	625ZZ	5	16		5	38	22	10	8	7	12	20		28				
	606ZZ	6	17		6	39	23	11	9	8	13	21		29				
	608ZZ	8	22		7	45	29	12	10	9	18	27		35				
6900ZZ	22	6	45		29	11	9	8	19	27	35	35						
With Pilot, Retained S-SBACR S-SBGCR	6000ZZ	10	26	+0.021 0	8	50	34	13	11	10	22	32	-0.009 -0.034	40	—	M5 (4.3)	8	4.4
	6200ZZ	30	9		54	38	14	12	11	24	36	44						
	6901ZZ	24	6		48	31	11	9	8	21	30	38	-0.007 -0.028					
	6001ZZ	12	28		8	52	36	13	11	10	24	34	42					
Non-Retained S-SBACN S-SBGCN	6201ZZ	32	10	+0.025 0	10	56	40	15	13	12	26	38	-0.009 -0.034	46	—	M6 (5.2)	9.5	5.4
	6902ZZ	28	7	57	37	12	10	9	25	35	45							
	6002ZZ	32	9	60	40	14	12	11	28	38	48							
	6202ZZ	35	11	64	44	17	15	13	29	42	52							
	6904ZZ	37	9	69	47	15	13	11	34	45	51	24						
	6004ZZ	42	12	77	54	18	16	14	36	50	56	32						
	6204ZZ	47	14	81	58	20	18	16	40	54	59	34		-0.010 -0.040				
	6204ZZ	47	14	81	58	20	18	16	40	54	59	34		-0.010 -0.040				

Bearing No.	Available Types					
	Retained		Pilot, Retained		Non-Retained	
	S-SBACA	S-SBGCA	S-SBACR	S-SBGCR	S-SBACN	S-SBGCN
623ZZ	•	—	•	—	•	—
624ZZ	•	—	•	—	•	—
605ZZ	•	—	•	—	•	—
625ZZ	•	•	•	•	•	•
606ZZ	•	•	•	•	•	•
608ZZ	•	•	•	•	•	•
6900ZZ	•	•	•	•	•	•
6000ZZ	•	•	•	•	•	•
6200ZZ	•	•	•	•	•	•
6901ZZ	•	•	•	•	•	•
6001ZZ	•	•	•	•	•	•
6201ZZ	•	•	•	•	•	•
6902ZZ	•	•	•	•	•	•
6002ZZ	•	•	•	•	•	•
6202ZZ	•	•	•	•	•	•
6904ZZ	•	•	•	•	•	•
6004ZZ	•	•	•	•	•	•
6204ZZ	•	•	•	•	•	•

Part Number Example Part Number: **S-SBACA6900ZZ**

Application Example
See Application Example on **P.969**.
Low Dust Raise Greased Bearings on **P.1034**.

Part Number Alterations Part Number: **S-SBACA6900ZZ** - (NA)
- **NA**

Alteration	Bearings, Retaining Rings Not Assembled
Code	NA
Spec.	Bearing and retaining ring are shipped unassembled to the housing.