

Low Dust Raise Greased Bearings with Housings

Single Bearings

Bearings with Housings / Bearings

Low Dust Raise Greased Bearings with Housings – Single Bearings

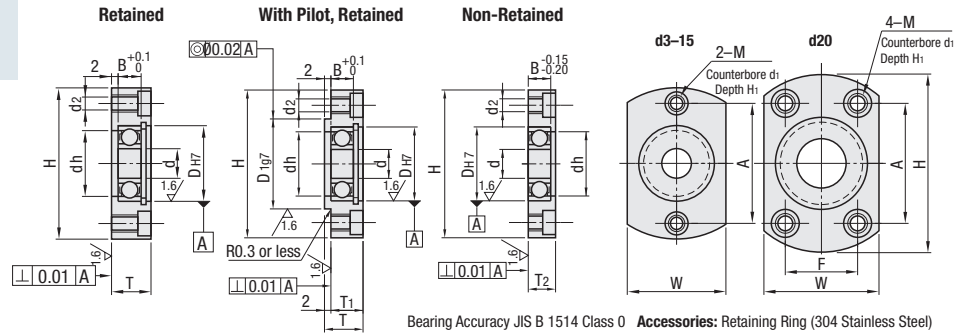
RoHS 10

Retained	With Pilot, Retained	Unretained	Material		Surface Treatment
			Bearings	Housing	Housing
S-SBACA	S-SBACR	S-SBACN	Stainless Steel	2000 Series Aluminum Alloy	Clear Anodize
S-SBGCA	S-SBGCR	S-SBGCN		304 Stainless Steel or Equivalent	—

⚠ For Non-Retained Type, bearing may protrude 0.1–0.2 mm due to negative tolerance of B dimension.

⚠ Mounting holes are tapped and counterbored so the housing can be mounted from either side.

$$6.3 / (1.6 / \nabla)$$



Type	Part Number Bearing No.	d	D _{H7}	Tolerance	B	H	W	T	T ₁	T ₂	dh	D ₁₉₇	Tolerance	A	F	M (Coarse) (d ₂)	d ₁	H ₁
Retained S-SBACA S-SBGCA	624ZZ	4	13	+0.018 0	5	35	18	10	8	7	9	17	-0.007 -0.028	26	—	M5 (4.3)	8	4.4
	605ZZ	5	14		5	36	20	10	8	7	10	18		26				
	625ZZ	5	16		5	38	22	10	8	7	12	20		28				
	606ZZ	6	17		6	39	23	11	9	8	13	21		29				
With Pilot, Retained S-SBACR S-SBGCR	608ZZ	8	22	+0.021 0	7	45	29	12	10	9	18	27	-0.009 -0.034 -0.007 -0.028	35	—	M5 (4.3)	8	4.4
	6900ZZ	22	6		45	29	11	9	8	19	27	35						
	6000ZZ	10	26		8	50	34	13	11	10	22	32		40				
	6200ZZ	30	9		54	38	14	12	11	24	36	44						
Non-Retained S-SBACN S-SBGCN	6901ZZ	24	24	+0.025 0	6	48	31	11	9	8	21	30	-0.009 -0.034 -0.010 -0.040	38	—	M6 (5.2)	9.5	5.4
	6001ZZ	12	28		8	52	36	13	11	10	24	34		42				
	6201ZZ	32	10		56	40	15	13	12	26	38	46						
	6902ZZ	28	7		57	37	12	10	9	25	35	45						
	6002ZZ	15	32		9	60	40	14	12	11	28	38		48				
	6202ZZ	35	11		64	44	17	15	13	29	42	52						
	6904ZZ	37	9		69	47	15	13	11	34	45	51		24				
	6004ZZ	20	42		12	77	54	18	16	14	36	50		56				
6204ZZ	47	14	81	58	20	18	16	40	54	59	34							

Bearing No.	Available Types					
	Retained		Pilot, Retained		Non-Retained	
	S-SBACA	S-SBGCA	S-SBACR	S-SBGCR	S-SBACN	S-SBGCN
623ZZ	•	—	•	—	•	—
624ZZ	•	—	•	—	•	—
605ZZ	•	—	•	—	•	—
625ZZ	•	•	•	•	•	•
606ZZ	•	•	•	•	•	•
608ZZ	•	•	•	•	•	•
6900ZZ	•	•	•	•	•	•
6000ZZ	•	•	•	•	•	•
6200ZZ	•	•	•	•	•	•
6901ZZ	•	•	•	•	•	•
6001ZZ	•	•	•	•	•	•
6201ZZ	•	•	•	•	•	•
6902ZZ	•	•	•	•	•	•
6002ZZ	•	•	•	•	•	•
6202ZZ	•	•	•	•	•	•
6904ZZ	•	•	•	•	•	•
6004ZZ	•	•	•	•	•	•
6204ZZ	•	•	•	•	•	•

Part Number Example
 Part Number: **S-SBACA6900ZZ**

Application Example
 See Application Example on **P.969**.
 Low Dust Raise Greased Bearings on **P.1034**.

Part Number Alterations
 Part Number: **S-SBACA6900ZZ** - (NA)
 - **NA**

Alteration	Bearings, Retaining Rings Not Assembled
Code	NA
Spec.	Bearing and retaining ring are shipped unassembled to the housing.

Bearings with Housings

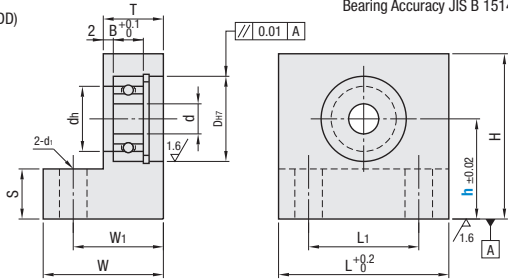
L-Shaped, Retained



Type		Material		Surface Treatment		Accessory Retaining Ring
Selectable h	Configurable h	Bearings	Housing	Housing		
BGLKB	BGLFB	Steel	1045 Carbon Steel or Equivalent	Black Oxide		Spring Steel
BGLK	BGLF			Electroless Nickel Plating		
BGLKA	BGLFA			Clear Anodize		
BGLKSA	BGLFSA	Stainless Steel	2000 Series Aluminum Alloy	Clear Anodize		304 Stainless Steel or Equivalent
BGLKS	BGLFS		304 Stainless Steel or Equivalent	—		

Ⓢ * Bearings with Rubber Seals (VV and DD) are all made of steel.

Bearing Accuracy JIS B 1514 Class 0 $6.3 / (1.6 / \sqrt{\quad})$



Type	Part Number		h		d	D _{H7}	Tolerance	dh	B	H	L	L ₁	W	W ₁	T	S	d ₁
	Bearings No.	Seal	h Selection	Configurable 1mm Increment													
h Selectable	623	ZZ Double Shielded	15 20 25	15-30	3	10	+0.015 0	7	4	h+9	20	10	20	15	10	5	4.5
	624				4	13	+0.018 0	9	5	h+11	22	12	20	15	10		
	605				5	14		10	5	h+11	24	14	20	15	10		
	625				6	16		12	5	h+12	28	16	22	16	10		
	606				6	17	13	6	h+13	34	22	24	18	12			
	626		6	19	15	6	h+14	36	24	24	18	12					
	608		8	22	18	7	h+15	38	26	24	18	12					
	628		8	24	20	8	h+16	34	22	27	21	15					
	6900		10	22	19	6	h+15	32	20	24	18	12					
	6000		10	26	22	8	h+17	38	26	27	21	15					
6200	10	30	24	9	h+19	40	28	27	21	15							
6901	12	24	21	6	h+16	36	24	24	18	12							
6001	12	28	24	8	h+18	40	28	27	21	15							
6201	12	32	26	10	h+20	42	30	28	22	16							
h Configurable	6902	*VV Non-Contact Rubber Sealed	30 40 50	30-50	15	28	+0.021 0	25	7	h+18	42	30	24	18	12	15	6.5
	6902				32	9	h+20	50	36	29	22	15					
	6002				35	11	h+22	44	30	31	24	17					
	6202				30	7	h+19	42	30	26	20	13					
	6903				30	10	h+22	50	36	31	24	16					
	6903		17	35	+0.021 0	31	10	h+22	50	36	31	24	16				
	6003		40	12		h+24	48	36	33	26	20						
	6203		37	9		h+23	45	31	29	22	15						
	6904		20	42	+0.025 0	36	12	h+25	54	38	35	27	19				
	6004		40	14		h+28	60	44	36	28	20						
6204	41	12	h+28	62		46	35	27	19								
6005	25	52	+0.030 0	45	15	h+31	70	50	42	32	22						
6205	48	13		h+32	74	54	40	30	20								
6006	55	16		h+36	82	62	43	33	23								
6206	30	62		55	16	h+36	82	62	43	33	23						

Ⓢ *No. 623, 624, 605 and 606 are not available for VV (Non-contact Sealed).

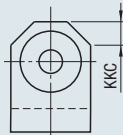
Bearing No.	Available Types									
	h Selectable					h Configurable				
	BGLKB	BGLK	BGLKA	BGLKSA	BGLKS	BGLFB	BGLF	BGLFA	BGLFSA	BGLFS
623	•	•	•	•	•	•	•	•	•	•
624	•	•	•	•	•	•	•	•	•	•
605	•	•	•	•	•	•	•	•	•	•
625	•	•	•	•	•	•	•	•	•	•
606	•	•	•	•	•	•	•	•	•	•
626	•	•	•	•	•	•	•	•	•	•
608	•	•	•	•	•	•	•	•	•	•
628	•	•	•	•	•	•	•	•	•	•
6900	•	•	•	•	•	•	•	•	•	•
6000	•	•	•	•	•	•	•	•	•	•
6200	•	•	•	•	•	•	•	•	•	•
6901	•	•	•	•	•	•	•	•	•	•
6001	•	•	•	•	•	•	•	•	•	•
6201	•	•	•	•	•	•	•	•	•	•
6902	•	•	•	•	•	•	•	•	•	•
6002	•	•	•	•	•	•	•	•	•	•
6202	•	•	•	•	•	•	•	•	•	•
6903	•	•	•	•	•	•	•	•	•	•
6003	•	•	•	•	•	•	•	•	•	•
6203	•	•	•	•	•	•	•	•	•	•
6904	•	•	•	•	•	•	•	•	•	•
6004	•	•	•	•	•	•	•	•	•	•
6204	•	•	•	•	•	•	•	•	•	•
6005	•	•	•	•	•	•	•	•	•	•
6205	•	•	•	•	•	•	•	•	•	•
6006	•	•	•	•	•	•	•	•	•	•
6206	•	•	•	•	•	•	•	•	•	•

Part Number Example

Part Number	Type	Bearings	Seal	h
BGLK 6000	BGLK	6000	DD	30
BGLFA 6904	BGLFA	6904	ZZ	45

Part Number Alterations

Part Number	h	(KKC / KCC / NA)
BGLF6000ZZ	30	KKC

Alterations	C Chamfer	C2 Chamfer	Bearings, Retaining Rings Not Assembled								
Code	KKC	KCC	NA								
Spec.	C chamfer (45°) on both top edge corners. Ordering Code: KKC 	C2 chamfered is done on the top edge surface.	Bearing and retaining ring are shipped unassembled to the housing.								
	<table border="1"> <tr><th>d</th><th>KKC</th></tr> <tr><td>3-8</td><td>5</td></tr> <tr><td>10-20</td><td>10</td></tr> <tr><td>25, 30</td><td>12</td></tr> </table>	d	KKC	3-8	5	10-20	10	25, 30	12		
d	KKC										
3-8	5										
10-20	10										
25, 30	12										
	Ⓢ Available for h Configurable Type only.										