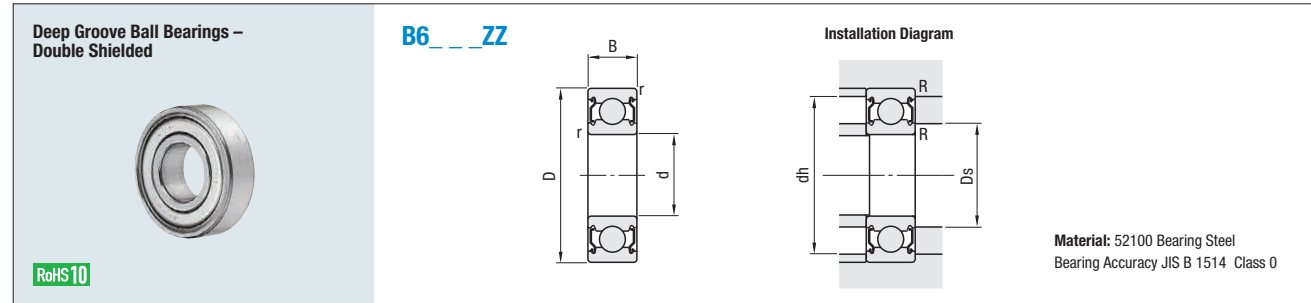


# Deep Groove Ball Bearings

## Double Shielded

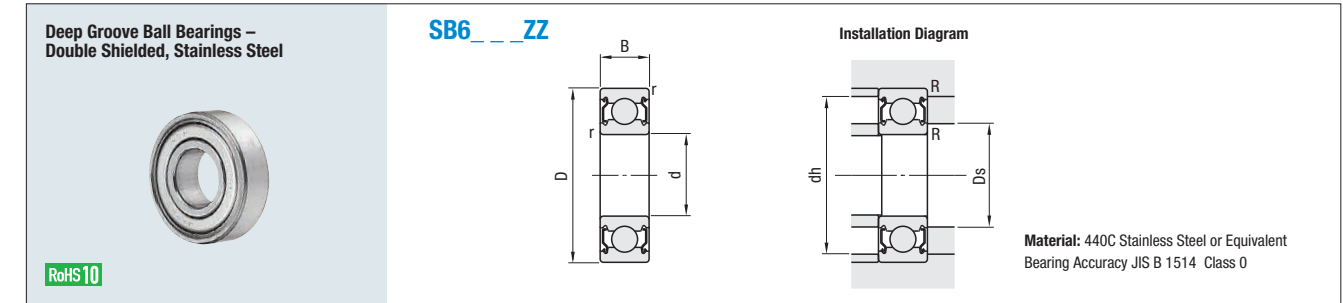


Part Number	d	D	B	r (min)	Basic Load Rating		Allowable Rotational Speed rpm (Reference)	Relative Dimensions			Mass (g) (Reference)	
					Cr (Dynamic) kN	Cor (Static) kN		Ds	dh (max.)	R (max.)		
B6700ZZ	10	15	4	0.2	0.85	0.43	15000	10.4	11.21	14.2	0.2	2
B6800ZZ	10	19	5	0.3	1.72	0.84	34000	12	12.5	17	0.3	5
B6900ZZ	10	22	6	0.6	2.70	1.27	32000	12	13	20	0.3	9
B6000ZZ	10	26	8	0.3	4.55	1.96	30000	12	13.5	24	0.3	19
B6200ZZ	10	30	9	0.6	5.10	2.39	24000	14	16	26	0.6	32
B6300ZZ	10	35	11	0.6	8.6	3.45	21000	14	16.5	31	0.6	52
B6701ZZ	12	18	4	0.2	0.92	0.53	13000	12.4	13.86	16.7	0.2	3
B6801ZZ	12	21	5	0.3	1.92	1.04	32000	14	14.5	19	0.3	6
B6901ZZ	12	24	6	0.6	2.89	1.46	30000	14	15	22	0.3	11
B6001ZZ	12	28	8	0.3	5.10	2.39	27000	14	16	26	0.3	21
B6201ZZ	12	32	10	0.6	6.8	3.05	22000	16	17	28	0.6	37
B6301ZZ	12	37	12	1	10.3	4.2	19000	17	18	32	1.0	60
B6702ZZ	15	21	4	0.2	0.93	0.58	11000	15.4	16.86	19.7	0.2	4
B6802ZZ	15	24	5	0.3	2.07	1.26	27000	17	17.5	22	0.3	7
B6902ZZ	15	28	7	0.6	4.33	2.25	26000	17	17.5	26	0.3	16
B6002ZZ	15	32	9	0.3	5.9	2.83	23000	17	19	30	0.3	30
B6202ZZ	15	35	11	0.6	8.2	3.75	19000	19	20	31	0.6	45
B6302ZZ	15	42	13	1	11.4	5.45	17000	20	22.5	37	1.0	83
B6703ZZ	17	23	4	0.2	1.0	0.65	9500	17.4	18.86	21.1	0.2	4
B6803ZZ	17	26	5	0.3	2.23	1.46	25000	19	19.5	24	0.3	8
B6903ZZ	17	30	7	0.6	4.59	2.56	23000	19	20	28	0.3	18
B6003ZZ	17	35	10	0.3	6.4	3.25	20000	19	21	33	0.3	39
B6203ZZ	17	40	12	0.6	10.1	4.75	17000	21	23	36	0.6	66
B6303ZZ	17	47	14	1	14.4	6.5	15000	22	25.5	42	1.0	113
B6704ZZ	20	27	4	0.2	1.04	0.72	8500	20.4	22.36	25.5	0.2	6
B6804ZZ	20	32	7	0.3	4.00	2.47	20000	22	22.5	30	0.3	19
B6904ZZ	20	37	9	0.6	6.40	3.70	19000	22	24	35	0.3	36
B6004ZZ	20	42	12	0.3	10	5.05	17000	24	26	38	0.6	69
B6204ZZ	20	47	14	0.6	13.6	6.65	14000	25	28	42	1.0	106
B6304ZZ	20	52	15	1.1	16.9	7.9	13000	26.5	28	45.5	1.0	145
B6805ZZ	25	37	7	0.3	4.30	2.95	18000	27	28	35	0.3	22
B6905ZZ	25	42	9	0.6	7.05	4.55	16000	29	29	40	0.6	42
B6005ZZ	25	47	12	0.3	10.7	5.85	15000	29	30.5	43	0.6	80
B6205ZZ	25	52	15	0.6	14.9	7.85	12000	30	32	47	1.0	128
B6305ZZ	25	62	17	1.1	23.8	11.5	11000	31.5	36	55.5	1.0	235
B6806ZZ	30	42	7	0.3	4.54	3.42	15000	33	33	40	0.3	26
B6906ZZ	30	47	9	0.6	7.25	5.00	14000	32	34	45	0.6	48
B6006ZZ	30	55	13	0.3	13.5	8	12000	35	37	50	0.3	116
B6206ZZ	30	62	16	0.6	20.7	11.30	10000	35	39	57	1.0	199
B6306ZZ	30	72	19	1.1	30.5	16.2	9200	36.5	42.5	65.5	1.0	345
B6807ZZ	35	47	7	0.3	4.74	3.82	13000	37	38	45	0.3	29
B6907ZZ	35	55	10	0.6	10.9	7.75	12000	39	40	51	0.6	74
B6007ZZ	35	62	14	0.3	17	10.30	11000	40	42	57	0.3	155
B6207ZZ	35	72	17	0.6	27.5	15.30	9000	41.5	45	65.5	1.0	288
B6307ZZ	35	80	21	1.5	35.5	19.1	8400	43	47	72	1.5	469
B6808ZZ	40	52	7	0.3	4.93	4.18	12000	42	43	50	0.3	33
B6908ZZ	40	62	12	0.6	13.7	9.92	11000	44	45	58	0.6	110
B6008ZZ	40	68	15	0.3	17.8	11.50	9500	45	47	63	0.3	190
B6208ZZ	40	80	18	1.1	31	17.80	8200	46.5	51	73.5	1.0	366
B6308ZZ	40	90	23	1.5	45.4	25	7500	48	53	82	1.5	636
B6809ZZ	45	58	7	0.3	6.21	5.38	11000	47	47.5	56	0.3	38
B6909ZZ	45	68	12	0.6	14.1	10.9	9500	49	50	64	0.6	126
B6009ZZ	45	75	16	0.3	21.2	14.4	8800	50	53.5	70	0.3	241
B6209ZZ	45	85	19	1.1	33	20.3	7500	51.5	55.5	78.5	1.0	420
B6309ZZ	45	100	25	1.5	56	31.5	6700	53	61.5	92	1.5	829
B6810ZZ	50	65	7	0.3	6.4	5.83	9500	52	52.5	63	0.3	50
B6910ZZ	50	72	12	0.6	14.5	11.7	9000	54	55	68	0.6	135
B6010ZZ	50	80	16	0.3	22	15.8	8300	55.0	57.5	75.0	0.3	261
B6210ZZ	50	90	20	1.1	39	24.2	7000	56.5	60.0	83.5	1.0	454
B6310ZZ	50	110	27	2	68	38.5	6000	59	68	101	2	1006

Part Number Example: B6702ZZ

# Deep Groove Ball Bearings

## Double Shielded, Stainless Steel




Part Number	d	D	B	r (min)	Basic Load Rating		Allowable Rotational Speed rpm (Reference)	Relative Dimensions			Mass (g) (Reference)	
					Cr (Dynamic) kN	Cor (Static) kN		Ds	dh (max.)	R (max.)		
SB6700ZZ	10	15	4	0.2	0.68	0.34	15000	10.4	11.21	14.2	0.2	2
SB6800ZZ	10	19	5	0.3	1.46	0.67	34000	12	12.5	17	0.3	5
SB6900ZZ	10	22	6	0.6	2.29	1.02	32000	12	13	20	0.3	9
SB6000ZZ	10	26	8	0.3	3.87	1.58	30000	12	13.5	24	0.3	19
SB6200ZZ	10	30	9	0.6	4.35	1.91	24000	14	16	26	0.6	32
SB6300ZZ	10	35	11	0.6	6.87	2.75	21000	14	16.5	31	0.6	52
SB6701ZZ	12	18	4	0.2	0.73	0.42	13000	12.4	13.86	16.7	0.2	3
SB6801ZZ	12	21	5	0.3	1.63	0.83	32000	14	14.5	19	0.3	6
SB6901ZZ	12	24	6	0.6	2.45	1.18	30000	14	15	22	0.3	11
SB6001ZZ	12	28	8	0.3	4.35	1.91	27000	14	16	26	0.3	21
SB6201ZZ	12	32	10	0.6	5.78	2.44	22000	16	17	28	0.6	37
SB6301ZZ	12	37	12	1	8.24	3.36	19000	17	18	32	1.0	60
SB6702ZZ	15	21	4	0.2	0.74	0.46	11000	15.4	16.86	19.7	0.2	4
SB6802ZZ	15	24	5	0.3	1.76	1.00	27000	17	17.5	22	0.3	7
SB6902ZZ	15	28	7	0.6	3.67	1.81	26000	17	17.5	26	0.3	16
SB6002ZZ	15	32	9	0.3	4.76	2.27	23000	17	19	30	0.3	30
SB6202ZZ	15	35	11	0.6	6.50	2.96	19000	19	20	31	0.6	45
SB6302ZZ	15	42	13	1	9.71	4.37	17000	20	22.5	37	1.0	83
SB6703ZZ	17	23	4	0.2	0.85	0.52	9500	17.4	18.86	21.1	0.2	4
SB6803ZZ	17	26	5	0.3	1.90	1.16	25000	19	19.5	24	0.3	8
SB6903ZZ	17	30	7	0.6	3.90	2.05	23000	19	20	28	0.3	18
SB6003ZZ	17	35	10	0.3	5.09	2.63	20000	19	21	33	0.3	39
SB6203ZZ	17	40	12	0.6	8.13	3.85	17000	21	23	36	0.6	66
SB6303ZZ	17	47	14	1	11.5	5.33	15000	22	25.5	42	1.0	113
SB6704ZZ	20	27	4	0.2	1.12	0.57	8500	20.4	22.36	25.5	0.2	6
SB6804ZZ	20	32	7	0.3	3.41	1.97	20000	22	22.5	30	0.3	19
SB6904ZZ	20	37	9	0.6	5.42	2.95	19000	22	24	35	0.3	36
SB6004ZZ	20	42	12	0.3	7.99	4.00	17000	24	26	38	0.6	69
SB6204ZZ	20	47	14	0.6	10.88	5.28	14000	25	28	42	1.0	106
SB6304ZZ	20	52	15	1.1	13.49	6.31	13000	26.5	28	45.5	1.0	145
SB6805ZZ	25	37	7	0.3	3.66	2.35	18000	27	28	35	0.3	22
SB6905ZZ	25	42	9	0.6	5.60	3.63	16000	27	29	40	0.6	42
SB6005ZZ	25	47	12	0.3	8.59	4.68	15000	29	30.5	43	0.3	80
SB6205ZZ	25	52	15	0.6	11.90	6.32	12000	30	32	47	1.0	128
SB6305ZZ	25	62	17	1.1	17.49	9.06	11000	31.5	36	55.5	1.0	235
SB6806ZZ	30	42	7	0.3	3.86	2.72	15000	32	33	40	0.3	26
SB6906ZZ	30	47	9	0.6	6.15	4.01	14000	32	34	45	0.6	48
SB6006ZZ	30	55	13	0.3	11.20	6.64	12000	35	37	50	0.3	116
SB6206ZZ	30	62	16	0.6	16.60	9.04	10000	35	39	57	1.0	199
SB6306ZZ	30	72	19	1.1	22.63	12.08	9200	36.5	42.5	65.5	1.0	345
SB6807ZZ	35	47	7	0.3	4.02	3.06	13000	37	38	45	0.3	29
SB6907ZZ	35	55	10	0.6	9.27	6.25	12000	39	40	51	0.6	74
SB6007ZZ	35	62	14	0.3	13.56	8.25	11000	40	42	57	0.3	155
SB6207ZZ	35	72	17	1.1	21.81	12.36	9000	41.5				

# Deep Groove Ball Bearings (Economy Type)

## Double Shielded

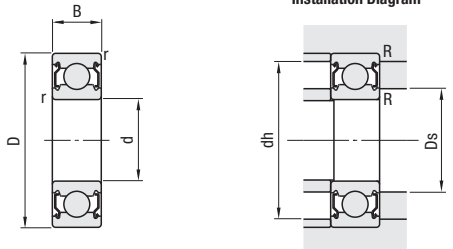
Features: Economical Deep Groove Ball Bearings.

Deep Groove Ball Bearings (Economy Type) – Double Shielded



**C6\_\_ZZ**

Installation Diagram



Material: 52100 Bearing Steel  
Bearing Accuracy JIS B 1514 Class 0

kgf=Nx0.101972


Part Number	d	D	B	r (min)	Basic Load Rating		Allowable Rotational Speed rpm (Reference)	Relative Dimensions				Mass (g) (Reference)
					Cr (Dynamic) kN	Cor (Static) kN		Ds		dh (max.)	R (max.)	
								(min)	(max.)			
C690ZZ	10	22	6	0.3	2.7	1.27	30000	12	13	20	0.3	9
C600ZZ		26	8		4.55	1.97	29000	12	13.5	24		18
C620ZZ		30	9	0.6	5.1	2.39	25000	14	16	26	0.6	32
C630ZZ		35	11		8.2	3.5	23000	14	17	31		53
C6901ZZ	12	24	6	0.3	2.89	1.46	27000	14	15	22	0.3	11
C6001ZZ		28	8		5.1	2.39	26000	14	16	26		22
C6201ZZ		32	10	0.6	6.8	3.05	22000	16	17	28	0.6	37
C6301ZZ		37	12		9.7	4.2	20000	17	18.5	32		60
C6902ZZ	15	28	7	0.3	3.65	2	24000	17	17.5	26	0.3	16
C6002ZZ		32	9		5.6	2.83	22000	17	19	30		30
C6202ZZ		35	11	0.6	7.75	3.6	19000	19	20	31	0.6	45
C6302ZZ		42	13		11.4	5.45	17000	20	23	37		82
C6903ZZ	17	30	7	0.3	4.65	2.58	22000	19	20	28	0.3	18
C6003ZZ		35	10		6.8	3.35	20000	19	21	33		39
C6203ZZ		40	12	0.6	9.6	4.6	18000	21	23	36	0.6	66
C6303ZZ		47	14		13.5	6.55	16000	22	25	42		115
C6904ZZ	20	37	9	0.3	6.4	3.7	19000	22	24	35	0.3	36
C6004ZZ		42	12		9.4	5.05	18000	24	26	38		69
C6204ZZ		47	14	1.1	12.8	6.6	16000	25	26	42	1	106
C6304ZZ		52	15		15.9	7.9	14000	26.5	28.5	45.5		144
C6905ZZ	25	42	9	0.3	7.05	4.55	16000	27	29	40	0.3	42
C6005ZZ		47	12		10.1	5.85	15000	29	30	43		80
C6205ZZ		52	15	1	14	7.85	13900	30	32	47	1	128
C6305ZZ		62	17		21.2	10.9	12000	31.5	35	55.5		232
C6906ZZ	30	47	9	0.3	7.25	5	14000	32	34	45	0.3	48
C6006ZZ		55	13		13.2	8.3	13000	35	37	50		116
C6206ZZ		62	16	1	19.5	11.3	11000	35	39	57	1	199
C6306ZZ		72	19		26.7	15	10000	36.5	43	65.5		360

Part Number Example **C620ZZ**

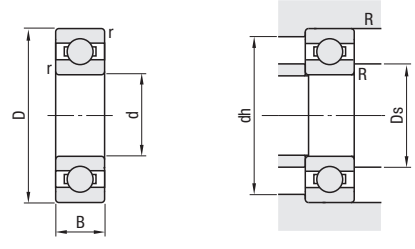
# Deep Groove Ball Bearings

## Open

Deep Groove Ball Bearings – Open



**B6\_\_**



Material: 52100 Bearing Steel  
Bearing Accuracy JIS B 1514 Class 0

Shipped with no grease applied. Please apply grease when using.

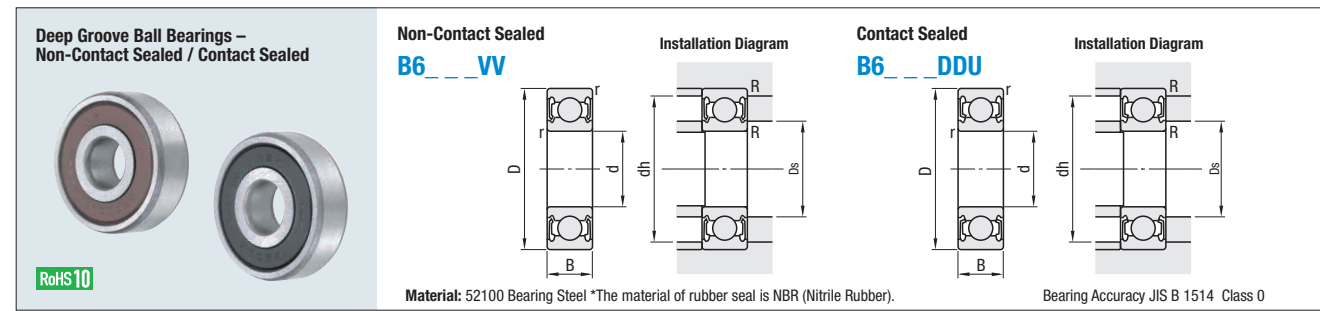
kgf=Nx0.101972

Part Number	d	D	B	r (min)	Basic Load Rating		Allowable Rotational Speed rpm (Reference)	Relative Dimensions				Mass (g) (Reference)
					Cr (Dynamic) kN	Cor (Static) kN		Ds		dh (max.)	R (max.)	
								(min)	(max.)			
B6700	10	15	3	0.2	0.85	0.43	15000	10.4	11.21	14.2	0.2	2
B6800		19	5		1.83	0.925	34000	12	12.5	17		5
B6900		22	6	0.3	2.70	1.27	32000	12	13	20	0.3	9
B6000		26	8		4.55	1.96	30000	12	13.5	24		19
B6200	30	9	0.6	5.10	2.39	24000	14	16	26	0.6	32	
B6701	18	4		0.2	0.92	0.53	13000	12.4	13.86		16.7	0.2
B6801	21	5	0.3		1.92	1.04	32000	14	14.5	19	0.3	
B6901	24	6		2.89	1.46	30000	14	15	22	11		
B6001	28	8	0.6	5.10	2.39	28000	14	16	26	0.6	21	
B6201	32	10		6.10	2.75	22000	16	17	28		37	
B6702	21	4	0.2	0.93	0.58	11000	15.4	16.86	19.7	0.2	4	
B6802	24	5		2.08	1.26	28000	17	17.5	22		7	
B6902	28	7	0.3	3.65	2.00	26000	17	18.5	26	0.3	16	
B6002	32	9		5.60	2.83	24000	17	19	30		30	
B6202	35	11	0.6	7.75	3.60	20000	19	20	31	0.6	45	
B6803	26	5		0.3	2.23	1.46	26000	19	19.5		24	0.3
B6903	30	7	4.65		2.58	24000	19	20	28	18		
B6003	35	10	0.3	6.80	3.35	22000	19	21	33	0.3	39	
B6203	40	12		9.60	4.60	17000	21	23	36		66	
B6704	20	27	4	0.2	1.40	0.72	8500	20.4	22.36	25.5	0.2	6
B6804		32	7		4.00	2.47	22000	22	22.5	30		19
B6904		37	9	0.3	6.40	3.70	19000	22	24	35	0.3	36
B6004		42	12		9.40	5.05	18000	24	26	38		69
B6204	47	14	1.0	12.80	6.65	15000	25	28	42	1.0	106	
B6805	37	7		0.3	4.30	2.95	18000	27	28		35	0.3
B6905	42	9	7.05		4.55	16000	27	29	40	42		
B6005	47	12	0.6	10.10	5.85	15000	29	30.5	43	0.6	80	
B6205	52	15		14.00	7.85	13000	30	32	47		128	
B6806	42	7	0.3	4.70	3.65	15000	32	33	40	0.3	26	
B6906	47	9		7.25	5.00	14000	32	34	45		48	
B6006	55	13	1.0	13.20	8.30	13000	35	37	50	1.0	116	
B6206	62	16		19.50	11.30	11000	35	39	57		199	
B6807	35	47	7	0.3	4.90	4.05	14000	37	38	45	0.3	29
B6907		55	10		9.55	6.85	12000	39	40	51		74
B6007		62	14	1.0	16.00	10.30	11000	40	42	57	1.0	155
B6207		72	17		25.70	15.30	9500	41.5	45	65.5		288
B6808	52	7	0.3	5.10	4.40	12000	42	43	50	0.3	33	
B6908	62	12		12.20	8.90	11000	44	45	58		110	
B6008	68	15	1.0	16.80	11.50	10000	45	47	63	1.0	190	
B6208	80	18		29.10	17.80	8500	46.5	51	73.5		366	
B6010	80	16	1.0	21.80	16.60	8500	55.0	57.5	75.0	1.0	261	
B6210	90	20		35.00	23.20	7100	56.5	60.0	83.5		454	

Part Number Example **B6200**

# Deep Groove Ball Bearings

Non-Contact Sealed / Contact Sealed



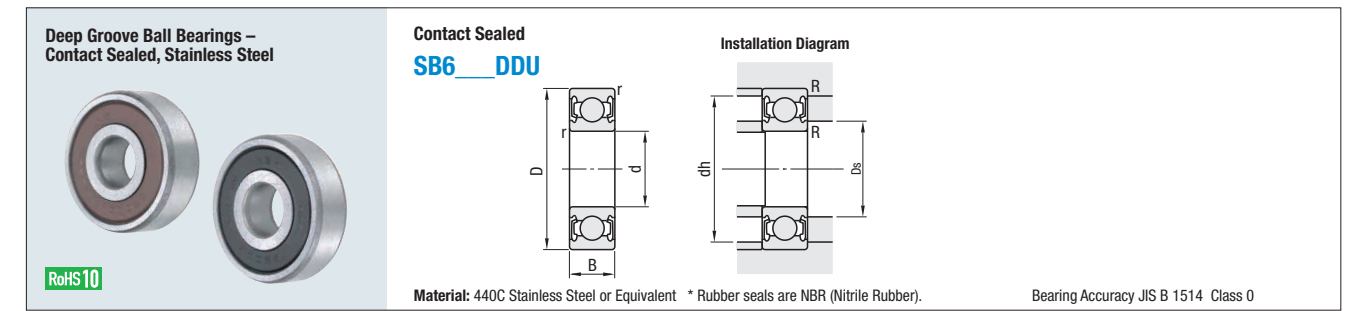
kgf=Nx0.101972

Part Number	d	D	B	r (min)	Basic Load Rating		Allowable Rotational Speed rpm (Reference)	Relative Dimensions				Mass (g) (Reference)
					Cr (Dynamic) kN	Co (Static) kN		Ds		dh	R	
Non-Contact Rubber Sealed	Contact Rubber Sealed	(min)	(max.)	(max.)	(max.)							
B6800VV	B6800DDU	19	5	0.3	1.72	0.84	24000	12	12	17	0.3	5
B6900VV	B6900DDU	22	6	0.3	2.7	1.27	22000	12	12.5	20	0.3	9
B6000VV	B6000DDU	26	8	0.3	4.55	1.96	22000	12	12.5	24	0.3	18
B6200VV	B6200DDU	30	9	0.6	5.1	2.39	18000	14	16	26	0.6	32
B6300VV	B6300DDU	35	11	0.6	8.1	3.45	17000	14	16.5	31	0.6	52
B6801VV	B6801DDU	21	5	0.3	1.92	1.04	20000	14	14	19	0.3	6
B6901VV	B6901DDU	24	6	0.3	2.89	1.46	20000	14	14.5	22	0.3	10
B6001VV	B6001DDU	28	8	0.3	5.1	2.37	18000	14	15.5	26	0.3	22
B6201VV	B6201DDU	32	10	0.6	6.1	2.75	17000	16	17	28	0.6	37
B6301VV	B6301DDU	37	12	1	9.7	4.2	16000	17	18	32	1	60
B6802VV	B6802DDU	24	5	0.3	2.07	1.26	17000	17	17	22	0.3	7
B6902VV	B6902DDU	28	7	0.3	3.65	2	17000	17	17	26	0.3	15
B6002VV	B6002DDU	32	9	0.3	5.6	2.83	15000	17	19	30	0.3	31
B6202VV	B6202DDU	35	11	0.6	7.65	3.6	14000	19	20.5	31	0.6	45
B6302VV	B6302DDU	42	13	1	11.4	5.45	13000	20	22.5	37	1	83
B6803VV	B6803DDU	26	5	0.3	2.63	1.57	15000	19	19	24	0.3	7
B6903VV	B6903DDU	30	7	0.3	4.6	2.55	15000	19	19.5	28	0.3	19
B6003VV	B6003DDU	35	10	0.3	6	3.25	13000	19	21.5	33	0.3	41
B6203VV	B6203DDU	40	12	0.6	9.55	4.6	12000	21	23.5	36	0.6	67
B6303VV	B6303DDU	47	14	1	13.6	6.65	11000	22	25.5	42	1	113
B6804VV	B6804DDU	32	7	0.3	4	2.47	13000	22	22	30	0.3	17
B6904VV	B6904DDU	37	9	0.3	6.4	3.7	12000	22	24	35	0.3	37
B6004VV	B6004DDU	42	12	0.6	9.4	5	11000	24	25.5	38	0.6	68
B6204VV	B6204DDU	47	14	1	12.8	6.6	11000	25	26.5	42	1	107
B6304VV	B6304DDU	52	15	1.1	15.9	7.9	10000	26.5	28	45.5	1	145
B6805VV	B6805DDU	37	7	0.3	4.5	3.15	10000	27	27	35	0.3	21
B6905VV	B6905DDU	42	9	0.3	7.05	4.55	10000	27	28.5	40	0.3	42
B6005VV	B6005DDU	47	12	0.6	10.1	5.85	9500	29	30	43	0.6	79
B6205VV	B6205DDU	52	15	1	14	7.85	9000	30	32	47	1	129
B6305VV	B6305DDU	62	17	1.1	20.6	11.2	8000	31.5	36	55.5	1	235
B6806VV	B6806DDU	42	7	0.3	4.7	3.65	9000	32	32	40	0.3	24
B6906VV	B6906DDU	47	9	0.3	7.25	5	8500	32	34	45	0.3	52
B6006VV	B6006DDU	55	13	1	13.2	8.3	8000	35	36.5	50	1	116
B6206VV	B6206DDU	62	16	1	19.5	11.3	7500	35	38.5	57	1	199
B6907VV	B6907DDU	55	10	0.6	10.6	7.25	7500	39	39	51	0.6	75
B6007VV	B6007DDU	62	14	1	16	10.3	6700	40	41.5	57	1	151
B6207VV	B6207DDU	72	17	1.1	25.7	15.3	6300	41.5	44.5	65.5	1	284
B6307VV	B6307DDU	80	21	1.5	33.5	19.2	6000	43	47	72	1.5	464
B6908VV	B6908DDU	62	12	0.6	13.7	10	6300	44	46	58	0.6	112
B6008VV	B6008DDU	68	15	1	16.8	11.5	6000	45	47.5	63	1	190
B6208VV	B6208DDU	80	18	1.1	29.1	17.9	5600	46.5	50.5	73.5	1	366
B6909VV	B6909DDU	68	12	0.6	14.1	10.9	5600	49	50	64	0.6	126
B6009VV	B6009DDU	75	16	1	20.9	15.2	5300	50	53.5	70	1	241
B6209VV	B6209DDU	85	19	1.1	31.5	20.4	5300	51.5	55.5	78.5	1	420
B6910VV	B6910DDU	72	12	0.6	14.5	11.7	5300	54	55	68	0.6	135
B6010VV	B6010DDU	80	16	1	21.8	16.6	4800	55	58.5	75	1	261
B6210VV	B6210DDU	90	20	1.1	35	23.2	4800	56.5	60	83.5	1	459

Part Number Example: B6002VV, B6902DDU

# Deep Groove Ball Bearings

Contact Sealed, Stainless Steel



kgf=Nx0.101972

Part Number	d	D	B	r (min)	Basic Load Rating		Allowable Rotational Speed rpm (Reference)	Relative Dimensions				Mass (g) (Reference)
					Cr (Dynamic) kN	Co (Static) kN		Ds		dh	R	
					(min)	(max.)	(max.)	(max.)				
SB600DDU	10	26	8	0.3	3.9	1.58	22000	12	13	24	0.3	18
SB620DDU	10	30	9	0.6	4.35	1.91	18000	14	16	26	0.6	32
SB6001DDU	12	28	8	0.3	4.35	1.89	18000	14	15.5	26	0.3	22
SB6201DDU	12	32	10	0.6	5.8	2.44	17000	16	17	28	0.6	37
SB6002DDU	15	35	9	0.3	4.75	2.27	15000	17	19	30	0.3	31
SB6202DDU	15	35	11	0.6	6.5	2.98	14000	19	20.5	31	0.6	45
SB6003DDU	17	35	10	0.3	5.1	2.6	13000	19	21.5	33	0.3	41
SB6203DDU	17	40	12	0.6	8.15	3.85	12000	21	23.5	36	0.6	67
SB6004DDU	20	42	12	0.6	7.95	4	11000	24	25.5	38	0.6	68
SB6204DDU	20	47	14	1	10.9	5.25	11000	25	26.5	42	1	107
SB6005DDU	25	47	12	0.6	8.55	4.65	9500	29	30	43	0.6	79
SB6205DDU	25	52	15	1	11.9	6.3	9000	30	32	47	1	129
SB6006DDU	30	55	13	1	11.3	6.6	8000	35	36.5	50	1	116
SB6206DDU	30	62	16	1	16.5	9.05	7500	35	38.5	57	1	199
SB6007DDU	35	62	14	1	13.6	8.2	6700	40	41.5	57	1	151
SB6207DDU	35	72	17	1.1	21.8	12.2	6300	41.5	44.5	65.5	1	284
SB6008DDU	40	68	15	1	14.2	9.25	6000	45	47.5	63	1	190
SB6208DDU	40	80	18	1.1	24.8	14.3	5600	46.5	50.5	73.5	1	366

Part Number Example: SB6004DDU

## Structure & Features of Ball Bearings


Type	Open Type	Double Shielded	Non-Contact Sealed	Contact Sealed
Friction Torque	Low	Low	Low	Large Due to seal contact
High Speed	Good	Good	Good	Acceptable
Dust Resistance	Poor	Acceptable	Good	Excellent
Water Resistance	Poor	Poor	Poor	Good Usable in the conditions of exposure to water splashes
Operating Temperature	Depends on Lubricant		-10 – +110°C	-10 – +100°C

The table above is for reference to compare the four types.

# Deep Groove Ball Bearings

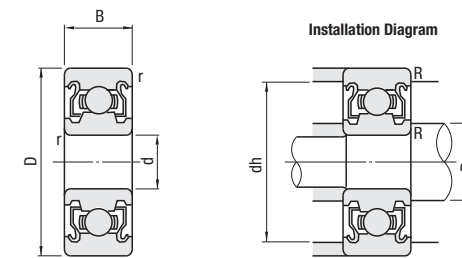
Small, Double Shielded

Deep Groove Ball Bearings – Small, Double Shielded



RoHS 10

**B6\_ZZ**  
**B6\_AZZ**  
**BR\_ZZ**  
**BR\_AZZ**



Installation Diagram

**Material:** 52100 Bearing Steel  
**Bearing Accuracy:** JIS B 1514 Class 0

Part Number	d	D	B	r (min)	Basic Load Rating		Allowable Rotational Speed rpm (Reference)	Relative Dimensions			Mass (g) (Reference)	
					Cr (Dynamic) N	Cor (Static) N		Ds (min)	dh (max.)	R (max.)		
B682ZZ	2	5	2.3	0.08	169	50	85000	2.7	3.9	0.08	0.17	
B692ZZ		6	3.0	0.15	330	98	75000	3.0	4.8	0.15	0.38	
B602ZZ		7	3.5		385	127	60000	3.2	5.8	0.15	0.58	
B682AZZ	2.5	6	2.6	0.08	208	74	71000	3.7	4.9	0.08	0.29	
B692AZZ		7	3.5	0.15	385	127	63000	3.85	5.65	0.15	0.55	
B673ZZ	3	6	2.5	0.1	208	74	71000	3.6	5.4	0.08	0.2	
B683ZZ		7	3	0.1	390	130	63000	3.9	5.8	0.1	0.45	
B693ZZ		8	4	0.15	560	179	60000		6.8	0.15	0.83	
B603ZZ		9	5	0.15	570	187	56000	4.2	7.8	0.15	1.45	
B623ZZ		10	4		630	218	50000		8.8	0.15	1.66	
B633ZZ		13	5	0.2	1300	485	40000	4.6	11.4	0.2	3.33	
B674ZZ		7	2.5	0.1	222	88	60000	4.6	6.4	0.08	0.29	
B684ZZ		4	9		0.1	640	224	53000	5.0	7.8	0.1	1.01
B694ZZ			11	4	0.15	715	276	48000	5.2	9.8	0.15	1.75
B604ZZ			12		0.2	957	350	48000	5.6	10.4	0.2	2.29
B624ZZ	13				1300	485	40000	5.6	11.4	0.2	3.04	
B634ZZ	16		5	0.3	1340	523	36000	6	14	0.3	5.21	
B675ZZ	8		2.5	0.1	218	131	53000	5.8	7.4	0.1	0.34	
B685ZZ	11		5	0.15	715	281	45000	6.2	9.8		1.96	
B695ZZ	13	4		1080	430	43000		11.4	0.2	2.5		
B605ZZ	5	14	5	0.2	1330	505	40000	6.6	12.4		3.48	
B625ZZ		16		0.3	1730	670	36000	7	14		4.86	
B635ZZ		19	6		2336	835	32000	7	17	0.3	8.34	
B676ZZ		10	3	0.1	495	218	45000	7.04	9.3	0.1	0.68	
B686ZZ	6	13	5	0.15	1080	440	40000	7.0	11.8		2.69	
B696ZZ		15		0.2	1350	530	40000	7.6	13.4	0.2	3.72	
B606ZZ		17			2190	835	38000		15		6.08	
B626ZZ		19	6	0.3	2340	885	32000	8	17	0.3	7.94	
B636ZZ		22	7		3333	1423	30000	8	20		14.5	
B678ZZ		12	3.5	0.1	543	274	40000	9.05	11.33	0.1	0.97	
B688ZZ		16	5	0.2	1610	710	36000	9.6	14.4	0.2	4.02	
B698ZZ	19	6		1990	865	36000		17		7.18		
B608ZZ	8	22	7		3350	1400	34000	10	20		12	
B628ZZ		24	8	0.3	4000	1590	28000		22	0.3	17	
B638ZZ		28	9		4563	1983	28000		10	26		30.3

## Non-Standard Size

kgf=Nx0.101972


Part Number	d	D	B	r (min)	Basic Load Rating		Allowable Rotational Speed rpm (Reference)	Relative Dimensions			Mass (g) (Reference)
					Cr (Dynamic) N	Cor (Static) N		Ds (min)	dh (max.)	R (max.)	
BR52ZZ	2	5	2.5	0.1	169	50	85000	2.7	4.4	0.1	0.23
BR62ZZ		6	2.5	0.15	330	98	75000	3	5.4	0.15	0.29
BR72ZZ		7	3.0	0.15	385	127	63000	3.15	6.2	0.15	0.49
BR93ZZ	3	9	4	0.15	570	187	56000	4.35	7.9	0.15	1.18
BR84ZZ	4	8	3	0.1	395	139	56000	5	7.4	0.15	0.56
BR104ZZ		10	4	0.15	710	270	48000	5.9	8.8	0.2	1.42
BR95ZZ	5	9	3	0.15	430	168	50000	6	8.4	0.15	0.58
BR105ZZ		10	4	0.15	430	168	50000	6	8.4	0.15	1.29
BR115ZZ	6	11	4	0.15	715	276	45000	6.81	9.9	0.15	1.5
BR126ZZ		12	4	0.15	715	292	43000	7.2	10.9	0.2	1.74
BR148ZZ	8	14	4	0.15	817	386	38000	9.26	12.8	0.15	2.16

Part Number Example **B626ZZ**

# Deep Groove Ball Bearings

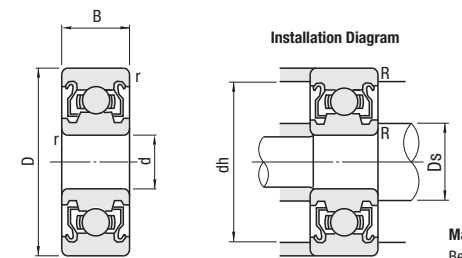
Small, Double Shielded, Stainless Steel

Deep Groove Ball Bearings – Small, Double Shielded, Stainless Steel



RoHS 10

**SB6\_ZZ**  
**SB6\_AZZ**  
**SBR\_ZZ**  
**SBR\_AZZ**



Installation Diagram

**Material:** 440C Stainless Steel or Equivalent  
**Bearing Accuracy:** JIS B 1514 Class 0

Part Number	d	D	B	r (min)	Basic Load Rating		Allowable Rotational Speed rpm (Reference)	Relative Dimensions			Mass (g) (Reference)	
					Cr (Dynamic) N	Cor (Static) N		Ds (min)	dh (max.)	R (max.)		
SB682ZZ	2	5	2.3	0.08	143	40	85000	2.7	3.9	0.08	0.17	
SB692ZZ		6	3.0	0.15	281	79	75000	3.0	4.8	0.15	0.38	
SB602ZZ		7	3.5		328	102	60000	3.2	5.8	0.15	0.58	
SB682AZZ	2.5	6	2.6	0.08	178	59	71000	3.7	4.9	0.08	0.29	
SB692AZZ		7	3.5	0.15	328	102	63000	3.85	5.65	0.15	0.55	
SB673ZZ	3	6	2.5	0.1	178	59	71000	3.6	5.4	0.08	0.2	
SB683ZZ		7	3	0.1	331	104	63000	3.9	5.8	0.1	0.45	
SB693ZZ		8	4	0.15	474	144	60000	4.2	6.8	0.15	0.83	
SB603ZZ		9	5	0.15	485	151	56000	4.2	7.8	0.15	1.45	
SB623ZZ		10	4	0.15	536	175	50000		8.8	0.15	1.66	
SB633ZZ		13	5	0.2	1105	388	40000	4.6	11.4	0.2	3.33	
SB674ZZ		7	2.5	0.1	217	86	60000	4.6	6.4	0.08	0.28	
SB684ZZ		4	9		0.1	544	179	53000	5.0	7.8	0.1	1.01
SB694ZZ			11	4	0.15	607	220	48000	5.2	9.8	0.15	1.75
SB604ZZ			12		0.2	813	276	48000	5.6	10.4	0.2	2.29
SB624ZZ	13				1105	386	40000	5.6	11.4	0.2	3.04	
SB634ZZ	16		5	0.3	1139	418	36000	6	14	0.3	5.21	
SB675ZZ	8		2.5	0.1	174	72	53000	5.8	7.4	0.1	0.34	
SB685ZZ	11		5	0.15	607	225	45000	6.2	9.8		1.96	
SB695ZZ	13	4		915	344	43000		11.4	0.2	2.5		
SB605ZZ	5	14	5	0.2	1105	404	40000	6.6	12.4		3.48	
SB625ZZ		16		0.3	1470	536	36000	7	14		4.86	
SB635ZZ		19	6		1986	708	32000	7	17	0.3	8.34	
SB676ZZ		10	3	0.1	396	174	45000	7.04	9.3	0.1	0.68	
SB686ZZ	6	13	5	0.15	918	352	40000	7.0	11.8		2.69	
SB696ZZ		15		0.2	1139	418	40000	7.6	13.4	0.2	3.72	
SB606ZZ		17			1921	668	38000		15		6.08	
SB626ZZ		19	6	0.3	1986	708	32000	8	17	0.3	7.94	
SB636ZZ		22	7		2833	1138	30000	8	20		14.5	
SB678ZZ		12	3.5	0.1	434	219	40000	9.05	11.33	0.1	0.97	
SB688ZZ		16	5	0.2	1368	568	36000	9.6	14.4	0.2	4.02	
SB698ZZ	19	6		1901	728	36000		17		7.18		
SB608ZZ	8	22	7		2799	1103	34000	10	20		12	
SB628ZZ		24	8	0.3	2833	1138	28000		22	0.3	17	
SB638ZZ		28	9		3879	1586	28000		10	26		30.3

## Non-Standard Size

kgf=Nx0.101972

Part Number	d	D	B	r (min)	Basic Load Rating		Allowable Rotational Speed rpm (Reference)	Relative Dimensions			Mass (g) (Reference)
					Cr (Dynamic) N	Cor (Static) N		Ds (min)	dh (max.)	R (max.)	
SBR52ZZ	2	5	2.5	0.1	144	40	85000	2.7	4.4	0.1	0.23
SBR62ZZ		6	2.5	0.15	281	79	75000	3	5.4	0.15	0.29
SBR72ZZ		7	3.0	0.15	328	102	63000	3.15	6.2	0.15	0.49
SBR93ZZ	3	9	4	0.15	485	150	56000	4.35	7.9	0.15	1.18
SBR84ZZ	4	8	3	0.1	336	111	56000	5	7.4	0.15	0.56
SBR104ZZ		10	4	0.15	604	216	48000	5.9	8.8	0.2	1.42
SBR95ZZ	5	9	3	0.15	366	135	50000	6	8.4	0.15	0.58
SBR105ZZ		10	4	0.15	366	135	50000	6	8.4	0.15	1.29
SBR115ZZ	6	11	4	0.15	608	221	45000	6.81	9.9	0.15	1.5
SBR126ZZ		12	4	0.15	608	234	43000	7.2	10.9	0.2	1.74
SBR148ZZ	8	14	4	0.15	694	308	38000	9.26	12.8	0.15	2.16

Part Number Example **SB636ZZ**