

Brackets for Rotary Clamp Cylinders

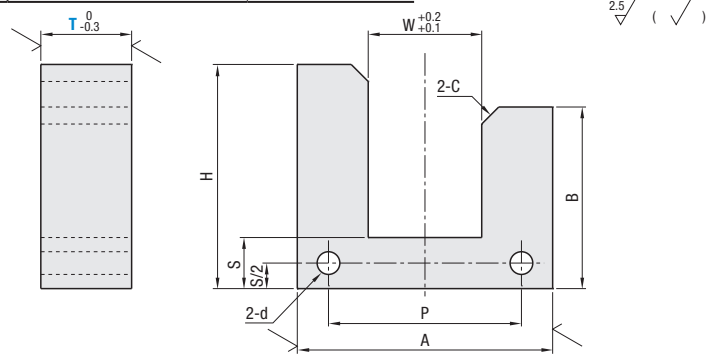
U-Shaped

Brackets for Rotary Clamp Cylinders – U-Shaped



RoHS10

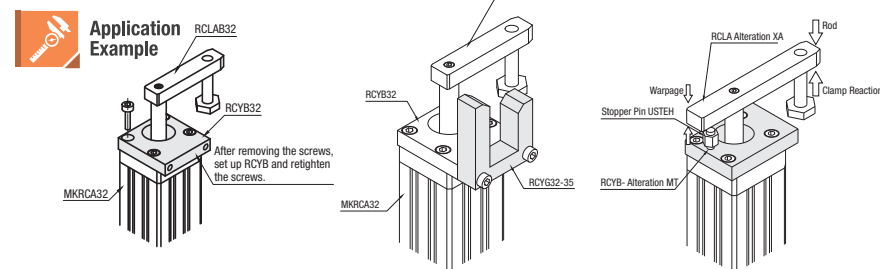
Type	Material	Surface Treatment
RCYG	1018 Carbon Steel or Equivalent	—
RCYGB	1045 Carbon Steel or Equivalent	Black Oxide



Part Number		T	W	S	H	B	A	P	C	d		
Type	No. ①											
RCYG RCYGB	20-21	9 12 16	16	9	30	22	38	25.5	3	4.5		
	20-31	9 12 16			40	32						
	25-21	9 12 16	16	9	30	22	44	28				
	25-31	9 12 16			40	32						
	32-25	9 12 16	20	9	33	22	50	34				
	32-35	9 12 16			43	32						
	40-25	9 12 16	20	9	33	21	60	40				
	40-35	9 12 16			43	31						
	50-40	9 12 16	22	12	50	34	65	50			4	6.5
	50-70	9 12 16			80	64						

① No. indicates applicable Rotary Clamp Cylinder Tube I.D. / Stroke.

Part Number Example
 Part Number: RCYG40-25 - T: 12



Brackets for Rotary Clamp Cylinders

Square

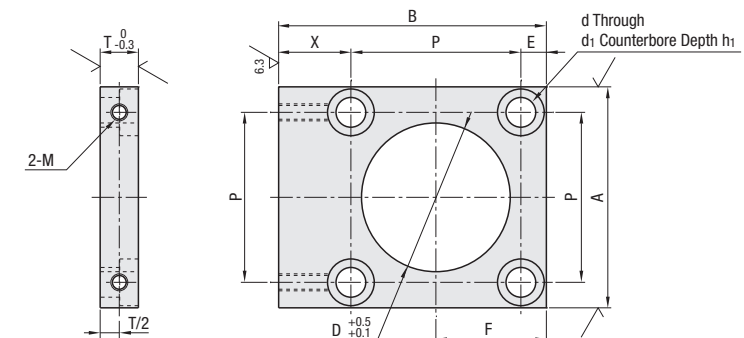
Brackets for Rotary Clamp Cylinders – Square



RoHS10

Type	Material	Surface Treatment
RCYB	1018 Carbon Steel or Equivalent	—
RCYBB	1045 Carbon Steel or Equivalent	Black Oxide

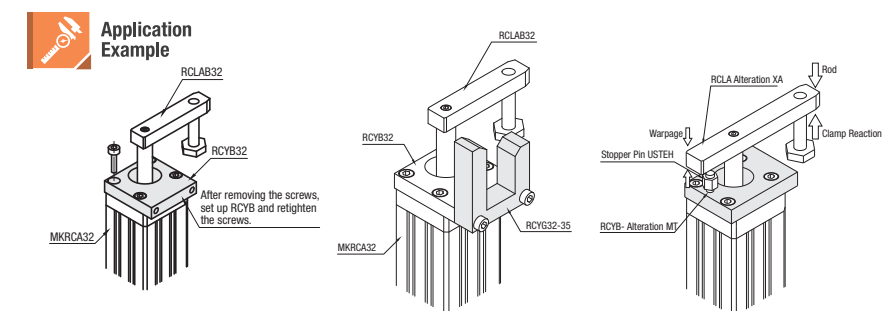
2.5 / (✓ 6.3 / ✓)



Part Number		T	d	A	P	X	B	E	F	M	d	d ₁	h ₁
Type	No. ①												
RCYB RCYBB	20	9	24	38	25.5	18.25	P+E+X	6.25	19	M4	6.5	11	6.5
	25	9	24	44	28	19	P+E+X	6	20	M4	6.5	11	6.5
	32	9	30	50	34	18	P+E+X	8	25	M4	6.5	11	6.5
	40	9	35	60	40	19	P+E+X	10	30	M4	6.5	11	6.5
	50	12	37	65	50	26.5	P+E+X	7.5	32.5	M6	9	14	9

① No. indicates applicable Rotary Clamp Cylinder Tube I.D. / Stroke.

Part Number Example
 Part Number: RCLAB32 - RCLAB32



Part Number Alterations
 Part Number: RCLAB32 - (MT)
 Alterations: RCLAB32 - MT4

Alterations	Tapped Hole for Starter																			
Code	MT																			
Spec.	A tapped hole for the stopper is added. <table border="1"> <thead> <tr> <th>No.</th> <th>E₂</th> <th>MT</th> </tr> </thead> <tbody> <tr> <td>20</td> <td>3</td> <td>M3 M4</td> </tr> <tr> <td>25</td> <td>4</td> <td>M3 M4 M5</td> </tr> <tr> <td>32</td> <td>5</td> <td>M3 M4 M5</td> </tr> <tr> <td>40</td> <td>6</td> <td>M3 M4 M5 M6</td> </tr> <tr> <td>50</td> <td>7</td> <td>M4 M5 M6 M8</td> </tr> </tbody> </table>		No.	E ₂	MT	20	3	M3 M4	25	4	M3 M4 M5	32	5	M3 M4 M5	40	6	M3 M4 M5 M6	50	7	M4 M5 M6 M8
No.	E ₂	MT																		
20	3	M3 M4																		
25	4	M3 M4 M5																		
32	5	M3 M4 M5																		
40	6	M3 M4 M5 M6																		
50	7	M4 M5 M6 M8																		
	Ordering Code: MT4 ① Applicable to Bracket (RCYB_) only																			