


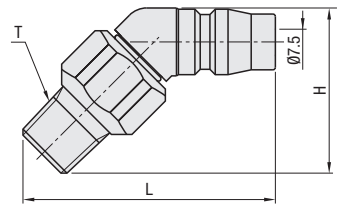
# Air Couplers (Rotary Type / Locking Type Sockets)

Threaded / Tapped / Tube Connecting

For combination of plugs and sockets, refer to P.3515.

**Air Couplers (Rotary Type) – Threaded**

**MCPRM**

| Type  | Material | Surface Treatment |
|-------|----------|-------------------|
| MCPRM | Steel    | Nickel Plating    |

| Part Number |    | Thread Dia. T | L    | H    | Mass (g) |
|-------------|----|---------------|------|------|----------|
| MCPRM       | 20 | R 1/4         | 52.1 | 34.1 | 52       |
|             | 30 | R 3/8         | 50.8 | 32.8 | 73       |


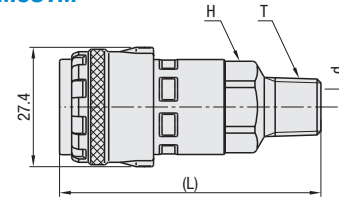
Part Number Example: **MCPRM20**

## Specifications

|                             |                                     |
|-----------------------------|-------------------------------------|
| Type                        | Plugs                               |
| Applicable Fluid            | Air / Water (Stainless Steel Type)  |
| Operating Temperature Range | -20~80°C                            |
| Max. Operating Pressure     | 1.5 MPa                             |
| Pressure Resistant          | 2.0 MPa                             |
| Seal Material               | Nitrile Rubber                      |
| Structure of Valve          | Single Passage Opening Closing Type |

**Air Couplers (Locking Type Sockets) – Threaded**

**MCSTM**


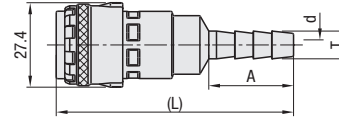



| Type  | Material | Surface Treatment |
|-------|----------|-------------------|
| MCSTM | Steel    | Nickel Plating    |

| Part Number |    | Thread Dia. T | (L)  | H  | d   | Mass (g) |
|-------------|----|---------------|------|----|-----|----------|
| MCSTM       | 20 | R 1/4         | 60   | 19 | 7.5 | 89       |
|             | 30 | R 3/8         | 60.5 | 19 | 10  | 91       |
|             | 40 | R 1/2         | 56   | 24 | 13  | 102      |

**Air Couplers (Locking Type Sockets) – Tube Connecting**

**MCSTH**


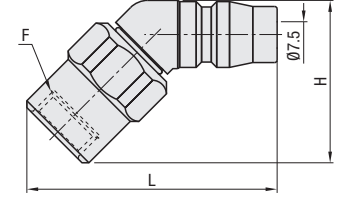



| Type  | Material | Surface Treatment |
|-------|----------|-------------------|
| MCSTH | Steel    | Nickel Plating    |

| Part Number |    | (L)  | A    | T    | d   | Mass (g) |
|-------------|----|------|------|------|-----|----------|
| MCSTH       | 20 | 77   | 27.5 | 9    | 5   | 90       |
|             | 30 | 79   | 32   | 11.3 | 7.5 | 92       |
|             | 40 | 79.5 | 32   | 15   | 10  | 104      |

**Air Couplers (Rotary Type) – Tapped**

**MCPRF**


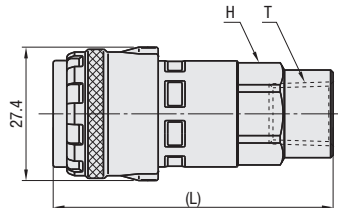



Material: Brass (Nickel Plating)

| Part Number |    | Thread Dia. F | L    | H    | Mass (g) |
|-------------|----|---------------|------|------|----------|
| MCPRF       | 20 | G 1/4         | 51.3 | 33.3 | 57       |

**Air Couplers (Locking Type Sockets) – Tapped**

**MCSTFN**

Material: Brass (Nickel Plating)

| Part Number |    | Thread Dia. T | (L)  | H  | Mass (g) |
|-------------|----|---------------|------|----|----------|
| MCSTFN      | 20 | Rc 1/4        | 57.5 | 19 | 94       |
|             | 30 | Rc 3/8        | 55.5 | 22 | 103      |
|             | 40 | Rc 1/2        | 57.5 | 29 | 138      |

## Specifications

|                             |   |                              |
|-----------------------------|---|------------------------------|
| Type                        | Plugs/Sockets   | Sockets: High Flow Rate Type |
| Applicable Fluid            | Air / Water (Stainless Steel Type)                                    | Air                          |
| Operating Temperature Range | -20~80°C  | -20~60°C                     |
| Max. Operating Pressure     | 1.5 MPa   | 1.5 MPa                      |
| Pressure Resistant          | 2.0 MPa   | 2.0 MPa                      |
| Seal Material               | Nitrile Rubber  |                              |
| Structure of Valve          | Single Passage Opening Closing Type (Only socket has valve structure) |                              |

Part Number Example: **MCSTFN20**


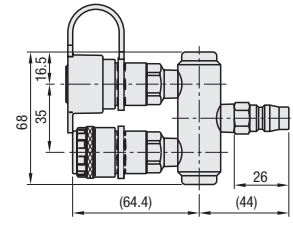
# Air Couplers (Branch Type)

2 Positions / 4 Positions Fixed / 2 Positions / 4 Positions Swivel

For combination of plugs and sockets, refer to P.3515.

**Air Couplers (Branch Type) – 2 Positions Fixed**


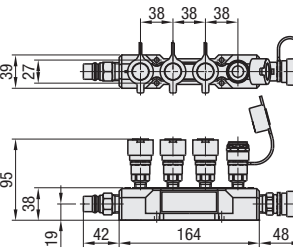
**MCRN**

Material: Body: Aluminum  
Coupler: Steel (Nickel Plating)

**Air Couplers (Branch Type) – 4 Positions Fixed**


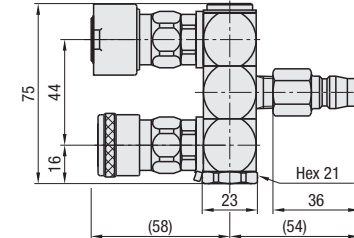
**MCRT**

Material: Body: Aluminum  
Coupler: Steel (Nickel Plating)

**Air Couplers (Branch Type) – 2 Positions Swivel**


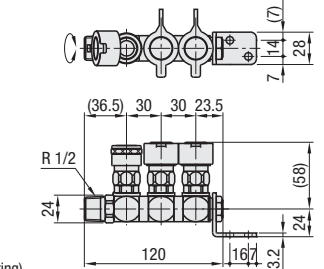
**MCLTR**

Material: Body: Brass (Chrome Plating)  
Coupler: Steel (Nickel Plating)

**Air Couplers (Branch Type) – 3 Positions Swivel**

**MCRE**

Material: Body: Brass (Chrome Plating)  
Coupler: Steel (Nickel Plating)

Part Number Example: **MCRN4**  
**MCLTR2**

## Features

- Allows branching from one pipe into multiple pipes.
- 360° turn port.

## Specifications

|  |                                     |
|--|-------------------------------------|
| Seal Material                                      | Nitrile Rubber (NBR Nitrile Rubber) |
| Operating Temperature Range                        | -20~60°C                            |
| Applicable Fluid                                   | Air                                 |
| Max. Operating Pressure MPa (kgf/cm <sup>2</sup> ) | 1.5 (15)                            |
| Pressure Resistance MPa(kgf/cm <sup>2</sup> )      | 2.0 (20)                            |

| Part Number |     |
|-------------|-----|
| Type        | No. |
| MCRN        | 4   |

| Part Number |     |
|-------------|-----|
| Type        | No. |
| MCRT        | 4   |

| Part Number |     |
|-------------|-----|
| Type        | No. |
| MCLTR       | 2   |

| Part Number |     |
|-------------|-----|
| Type        | No. |
| MCRE        | 3   |

