
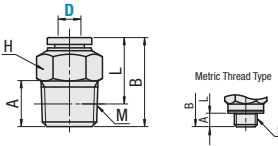

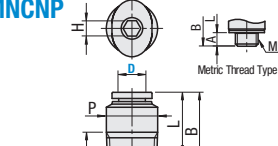

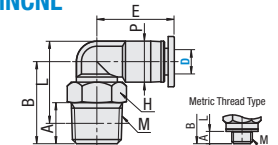

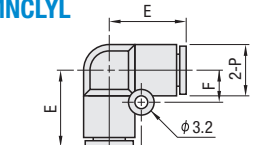

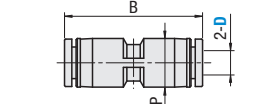

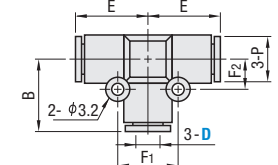

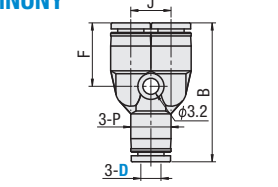


Couplings (Miniature One-Touch)

<p>Couplings (Miniature One-Touch Coupling Connectors)</p> 	<p>MNCN</p>  <p>Material: Polybutylene Terephthalate Thread: Brass (Electroless Nickel Plating)</p>
<p>Couplings (Miniature One-Touch Coupling Connectors) – Connectors with Hexagon Socket</p> 	<p>MNCNP</p>  <p>Material: Polybutylene Terephthalate Thread: Brass (Electroless Nickel Plating)</p>
<p>Couplings (Miniature One-Touch Coupling Connectors) – Elbows</p> 	<p>MNCNL</p>  <p>Material: Polybutylene Terephthalate Thread: Brass (Electroless Nickel Plating)</p>
<p>Couplings (Miniature One-Touch Coupling Connectors) – Union Elbows</p> 	<p>MNCLYL</p>  <p>Material: Polybutylene Terephthalate</p>
<p>Couplings (Miniature One-Touch Coupling Connectors) – Unions</p> 	<p>MNUN</p>  <p>Material: Polybutylene Terephthalate</p>
<p>Couplings (Miniature One-Touch Coupling Connectors) – Union Tees</p> 	<p>MNCLYT</p>  <p>Material: Polybutylene Terephthalate</p>
<p>Couplings (Miniature One-Touch Coupling Connectors) – Union Y</p> 	<p>MNUNY</p>  <p>Material: Polybutylene Terephthalate</p>

Part Number Type	D	Nom. Dia.	A	B	L	Wrench H	Thread Size M	Effective Sectional Area (mm ²)	Mass (g)
MNCN	4	M3	2.5	15.1	12.6	8	M3 x 0.5	0.9	2.4
		M5	3	15.6			M5 x 0.8	3.8	3.2
		1	8	11.6			R1/8	6.4	6.6
	6	M5	3	17	14	10	M5 x 0.8	3.6	4.5
		1	8	17.6	13.6		R1/8	6.3	6

Part Number Type	D	Nom. Dia.	A	B	L	Wrench H	P	Thread Size M	Effective Sectional Area (mm ²)	Mass (g)
MNCNP	4	M3	2.5	15.1	12.6	1.5	8	M3 x 0.5	1.8	2.2
		M5	3	15.6	12.6	2.5	8	M5 x 0.8	5.1	3
		1	8	15.8	11.8	3	10	R1/8	7.4	6.2
	6	M5	3	17.5	14.5	2.5	10	M5 x 0.8	5.2	4.4
		1	8	17.9	13.9	4	10	R1/8	13	5.6

Part Number Type	D	Nom. Dia.	A	B	L	P	E	Wrench H	Thread Size M	Effective Sectional Area (mm ²)	Mass (g)
MNCNL	4	M3	2.5	14	15.5	8	15.1	8	M3 x 0.5	1.3	3
		M5	3	14	14.5				M5 x 0.8	2.2	3.4
		1	8	16	16				R1/8	4.8	6.2
	6	M5	3	14.5	16.8	10.5	16	10	M5 x 0.8	3.5	4.1
		1	8	17	18.3				R1/8	8.5	6

Part Number Type	D	P	E	F	Mass (g)
MNCLYL	4	8	13.1	5.6	2.3
	6	10.5	15	6.6	3.6

Part Number Type	D	B	P	Effective Sectional Area (mm ²)	Mass (g)
MNUN	4	22.7	8	5.4	2
	6	24.4	10.4	11	3.1

Part Number Type	D	B	P	E	F ₁	F ₂	Mass (g)
MNCLYT	4	13.1	8	13.1	11.2	5.6	3.3
	6	15	10.5	14.95	13.2	6.6	5.3

Part Number Type	D	B	P	J	F	Effective Sectional Area (mm ²)	Mass (g)
MNUNY	4	27.6	8	8	12.6	2.3	3.4
	6	31	10.5	10.5	14	6.8	5.5

Part Number Example
 Part Number - Nominal Dia.
 MNCN4 - M5
 MNUN6

Specifications

Applicable Fluid	Air
Operating Temperature Range	0-60°C
Max. Operating Pressure	1 MPa
Operating Vacuum Level	-100 kPa


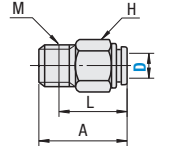

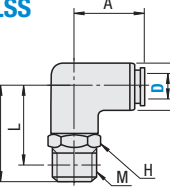

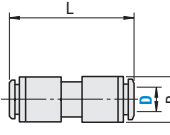

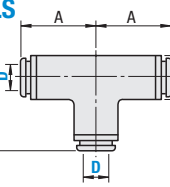

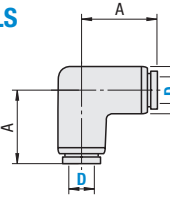

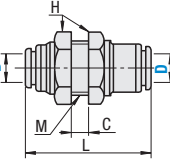
Release Ring Shape of Miniature One-Touch Couplings

	D	X	Y
	4	9.8	7.8
	6	11.8	9.8

Couplings (One-Touch)

Stainless Steel

Plugging / Unplugging of tubes becomes much easier than ever.

<p>Couplings (Stainless Steel One-Touch) – Compressed Air Miniature Connector Fittings</p>  <p>RoHS 10</p>	<p>MLCNLS</p>  <p>Material: 316 Stainless Steel (Gasket: Fluoro-Rubber)</p>
<p>Couplings (Stainless Steel One-Touch) – Compressed Air Miniature Connector Fittings 90° Elbow</p>  <p>RoHS 10</p>	<p>MLELSS</p>  <p>Material: 316 Stainless Steel (Gasket: Fluoro-Rubber)</p>
<p>Couplings (Stainless Steel One-Touch) – Union Straight</p>  <p>RoHS 10</p>	<p>UNSTLS</p>  <p>Material: 316 Stainless Steel (Gasket: Fluoro-Rubber)</p>
<p>Couplings (Stainless Steel One-Touch) – Union Tees</p>  <p>RoHS 10</p>	<p>UNTELS</p>  <p>Material: 316 Stainless Steel (Gasket: Fluoro-Rubber)</p>
<p>Couplings (Stainless Steel One-Touch) – Union Elbows</p>  <p>RoHS 10</p>	<p>UNEBLS</p>  <p>Material: 316 Stainless Steel (Gasket: Fluoro-Rubber)</p>
<p>Couplings (Stainless Steel One-Touch) – Bulkhead Unions</p>  <p>RoHS 10</p>	<p>MLBULS</p>  <p>Material: 316 Stainless Steel (Gasket: Fluoro-Rubber)</p>

Part Number Example
 Part Number - Nominal
 MLELSS4 - 2
 UNSTLS8

Part Number Type	D	Nominal	A	Wrench Flats H	L	Thread Size M	Mass (g)
MLCNLS	4	M5	20.5	10	18.5	M5x0.8	26.8
		1	21	10	17	R1/8	27.6
		2	19.5	14	14	R1/4	33.9
	6	M5	23.5	12	21.5	M5x0.8	26.7
		1	23	12	19	R1/8	27.5
		2	23.5	14	17	R1/4	35.0
	8	3	21	17	15	R3/8	45.0
		1	27.5	14	23.5	R1/8	38.0
		2	26.5	14	21	R1/4	41.7
	10	3	22	17	16	R3/8	53.5
		2	32.5	17	24	R1/4	60.1
		3	28.5	17	22.5	R3/8	68.6
12	4	26.5	22	19	R1/2	91.4	
	3	30.5	19	24.5	R3/8	116.2	
	4	29.5	22	22.5	R1/2	131.8	

Part Number Type	D	Nominal	A	B	P	Wrench Flats H	L	Thread Size M	Mass (g)
MLELSS	4	M5	18	22.5	12	20.5	12	M5 x 0.8	6.5
		1	24.5	R1/8				8.9	
		2	27.5	14				22	R1/4
	6	M5	20.5	12	21.5	M5 x 0.8	9.8		
		1	25.5	12	21.5	R1/8	10.9		
		2	28.5	14	23	R1/4	16.0		
	8	3	29.5	17	23.5	R3/8	23.9		
		1	26.5	14	22.5	R1/8	17.6		
		2	29.5	14	24	R1/4	18.4		
	10	3	31.5	17	25.5	R3/8	23.1		
		2	31.5	17	26	R1/4	23.6		
		3	27	17	27	R3/8	28.4		
12	4	36	22	28.5	R1/2	44.8			
	3	34.5	22	28.5	R3/8	30.3			
	4	37.5	22	30	R1/2	46.4			

Part Number Type	D	L	P	Mass (g)
UNSTLS	4	34	10	11.5
	6	37	12	15.8
	8	40	14	21.3
	10	45	17	34.3
	12	48	20	47.0

Part Number Type	D	A	P	Mass (g)
UNTELS	4	19	12	29.8
	6	21.5	12	29.7
	8	24	14	42.3
	10	27.5	17	66.4
	12	30	22	124.6

Part Number Type	D	A	P	Mass (g)
UNEBLS	4	19	12	23.2
	6	21.5	12	23.1
	8	24	14	32.5
	10	27.5	17	57.1
	12	30	22	107.0

Part Number Type	D	L	Wrench Flats H	Thread Size M	C (max)	Mass (g)
MLBULS	4	33.5	14	M12 x 1.0	4	18.8
	6	36.5	17	M14 x 1.0	6	29.3
	8	40.5	19	M16 x 1.0	9	38.0
	10	45.5	23	M20 x 1.0	11.5	63.5
	12	48.5	26	M22 x 1.0	11.5	79.3

Specifications

Applicable Fluid	Air / Water
Max. Operating Pressure	1.0 MPa
Operating Vacuum Level	-100 kPa
Operating Temperature	-15-120°C (No freezing)

* When using with water, keep the surge pressure to below max. pressure rating. For water, inserts for Soft Tubes (see P.3477 PUIT / PUSIT) must be used.