


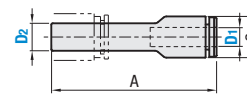
# Couplings (One-Touch)

continued

**Couplings (One-Touch) – Reducer**




**USRDS**

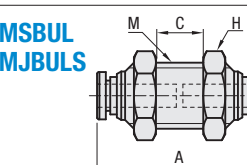


Material: PBT (Polybutylene Terephthalate)

**Couplings (One-Touch) – Bulkhead Unions**




**MSBUL MJBULS**

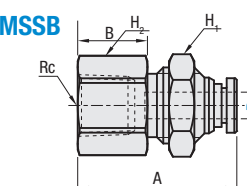


Material: Ring: PBT (Polybutylene Terephthalate)  
Thread: C3604 Brass Electroless Nickel Plating  
Thread: 304 Stainless Steel  
⊕ The drawing is for MSBUL. See the CAD data for MJBULS.

**Couplings (One-Touch) – Female for Bulkhead**




**MSSB**

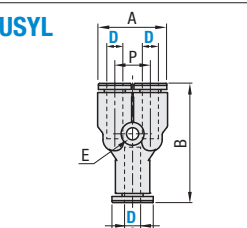


Material: Ring: PBT (Polybutylene Terephthalate)  
Thread: C3604 Brass Electroless Nickel Plating  
Thread: 304 Stainless Steel

**Couplings (One-Touch) – Y Type**




**USYL**

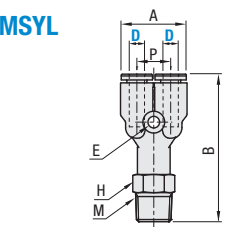


Material: PBT (Polybutylene Terephthalate)

**Couplings (One-Touch) – Y Type**



**MSYL**



Material: PBT (Polybutylene Terephthalate)  
Thread: C36000 Brass Electroless Nickel Plating

Part Number	D <sub>1</sub>	D <sub>2</sub>	A	C	Effective Sectional Area (mm <sup>2</sup> )	Mass (g)
USRDS	4	6	36.1	9	3.2	2
		8	36.9	9		
	6	8	39.5	11.2	11.0	3
		10	40.3	11.2		
	8	10	45.6	13.6	25.2	4.5
		12	46.6	13.6		
10	12	46.6	16.3	38.7	6.5	

Part Number	Type	D	A	Wrench Flats H	Thread Size M x Pitch	C (max)	Effective Sectional Area (mm <sup>2</sup> )	Mass (g)
MSBUL MJBULS	4	30 (33)	14	M12 x 1	8.6 (7.5)	3.2(4)	16 (20)	
		31.9 (36)	17	M14 x 1	9.4 (9.5)	11.0(10)	22 (33)	
	6	37 (39)	19	M16 x 1	10.6 (12.5)	25.2(22)	31.5 (42)	
		40.1 (44.5)	24	M20 x 1	12.9 (18)	38.7(30)	54.5 (75)	
	8	45.8 (47)	26	M22 x 1	15.4 (21)	44.6(35)	70.5 (92)	
		12	45.8 (47)	26	M22 x 1	15.4 (21)	44.6(35)	70.5 (92)

⊕ Values in ( ) are for MJBULS.

Part Number	Type	D	Nom.	A	B	Wrench Flats H <sub>1</sub>	Wrench Flats H <sub>2</sub>	Thread Size M x Pitch	Thread Size Rc	Effective Sectional Area (mm <sup>2</sup> )	Mass (g)
MSSB	4	1	25.1	11	14	14	M12 x 1.0	Rc1/8	3.2	18	
			26.3	9	17	17	M14 x 1.0	Rc1/4			
	6	2	31.3	14	19	19	M16 x 1.0	Rc1/4	25.2	36	
			28.9	8	24	22	M20 x 1.0	Rc3/8			
	8	3	35.9	15	26	24	M22 x 1.0	Rc1/2	44.6	71.5	
			32.3	13	24	22	M20 x 1.0	Rc3/8			
	10	3	34.3	15	26	24	M22 x 1.0	Rc1/2	44.6	71.5	
			37.4	14	26	24	M22 x 1.0	Rc1/2			
	12	4	41.4	18	26	24	M22 x 1.0	Rc1/2	44.6	71.5	
			41.4	18	26	24	M22 x 1.0	Rc1/2			

Part Number	Type	D	A	B	C	E	P	Effective Sectional Area (mm <sup>2</sup> )	Mass (g)
USYL	4	18.3	31.2	9	2.2	9.3	2.5	4.9	
		22.6	34.7	11.2	3.2	11.4	9.9	7.3	
	6	27.8	44.2	13.6	4.2	14.2	22.8	13.9	
		33.3	46	16.3	4.2	17	36.6	17.7	
	8	39.7	56.8	19.7	4.2	20	43.2	32.5	
		39.7	56.8	19.7	4.2	20	43.2	32.5	

Part Number	Type	D	Nominal	A	B	E	Wrench Flats H	P	Thread Size M	Effective Sectional Area (mm <sup>2</sup> )	Mass (g)
MSYL	4	1	M5	37.4	9	9.3	M5 x 0.8	3.2	8.9		
			18.3	40.6	10	14	R1/4	5.3	11.6		
	6	2	M5	43.6	11	11.4	M5 x 0.8	3.2	12.9		
			40.5	43.7	11	11	R1/8	15.2			
	8	3	22.6	46.7	14	14.2	R1/4	23.1			
			47.7	47.7	17	17	R3/8	35.2			
	10	4	27.3	52.6	13	17	R1/8	23.3			
			55.1	56.1	14	14.2	R1/4	27.9			
	12	5	33.3	56	17	17	R3/8	36.2			
			65.9	67.9	19	19	R1/4	53.7			
	12	5	39.7	70.9	21	20	R3/8	59.5			
			70.9	70.9	21	20	R1/2	74.9			

	MJBULS	Other than MJBULS
Applicable Fluid	Compressed Air	Water
Operating Temperature Range	-15~60°C	5~40°C
Max. Operating Pressure	1 MPa	0.9 MPa
Operating Vacuum Level	-100 kPa	-100 kPa


Part Number Example: **USRDS4-6**

Part Number - Nominal - Body Color

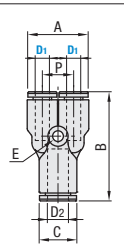
# Couplings (One-Touch)

continued

**Couplings (One-Touch) – Stepped Diameter Union-Y**




**USDY**

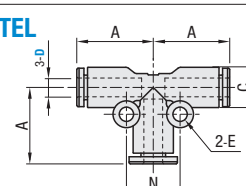


Material: PBT (Polybutylene Terephthalate)

**Couplings (One-Touch) – Union Tees**




**USTEL**

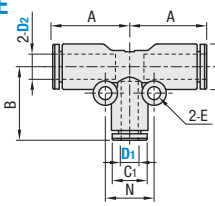


Material: PBT (Polybutylene Terephthalate)

**Couplings (One-Touch) – Stepped Unions Tees**




**USDTE**

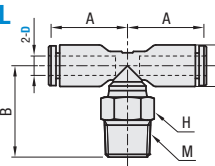


Material: PBT (Polybutylene Terephthalate)

**Couplings (One-Touch) – Union Tees**




**MSTEL**

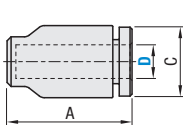


Material: PBT (Polybutylene Terephthalate)  
Thread: C3604 Brass Electroless Nickel Plating

**Couplings (One-Touch) – Cap**




**MSCAP**

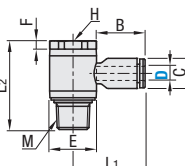


Material: PBT (Polybutylene Terephthalate)

**Couplings (One-Touch) – Turn Elbow Unions**



**USYELN**



Material: PBT (Polybutylene Terephthalate)  
Thread: C3604 Brass Electroless Nickel Plating

Part Number Example: **MSTEL6-1**

Part Number	D <sub>1</sub>	A	D <sub>2</sub>	B	C	E	P	Effective Sectional Area (mm <sup>2</sup> )	Mass (g)
USDY	4	18.3	6	32.5	11.2	3.2	9.3	7.1	5
		22.6	8	38.1	13.6		11.4	18.9	8
	6	27.8	10	43.2	16.3	4.2	14.2	32.9	12.5
		33.3	12	50.9	19.7		17	43.4	20

Part Number	Type	D	A	C	E	N	Effective Sectional Area (mm <sup>2</sup> )	Mass (g)	
USTEL	4	17.1	9	3.2	12	13	3.2	5	
		19	11.2				10.9	7.3	
	6	23.6	13.6	4.2	18	24	28	24.8	14.1
		25	16.3					39.5	17.7
	8	32.2	19.7	30	44.2	53.8	83.5	33.5	33.5
		34	25.6					53.8	53.8

Part Number	Type	D <sub>1</sub>	D <sub>2</sub>	A	C <sub>1</sub>	E	C <sub>2</sub>	N	B	Effective Sectional Area (mm <sup>2</sup> )	Mass (g)
USDTE	4	6	19	9	3.2	11.2	12	18.1	3.2	6.5	
			23.6	11.2							13.6
	6	8	25	13.6	4.2	16.3	19	24.1	24.8	14.5	
			32.2	16.3							19.7

Part Number	Type	D	Nominal	A	B	C	Wrench Flats H	Thread Size M	Effective Sectional Area (mm <sup>2</sup> )	Mass (g)
MSTEL	4	1	M5	16.6	9	9	M5 x 0.8	3.2	6.2	
			17.1	19.8	10	R1/8	9.5			
			22.8	14	R1/4	18.7				
			17.7	9	M5 x 0.8	3.2	7.7			
	6	2	18	20.9	11.2	10	R1/8	8.5	11	
			23.9	14	R1/4	20.2				
			24.9	17	R3/8	29.5				
			23.5	10	R1/8	14.9				
	8	3	23.6	26	13.6	14	R1/4	15	23.6	
			25.8	17	R1/8	22.1				
			28.8	16.3	17	R1/4	31			
			28.3	R3/8	31.5					
10	4	25	30.5	17	17	R1/4	41.7	41.7		
		28.3	30	R3/8	43.7					
		30.5	33	R1/2	63.4					
		32.2	33	21	R1/2	63.4				

Part Number	Type	D	A	C	Mass (g)
MSCAP	4	4	15.6	9	1.5
		6	17	11.2	2
		8	19.8	13.6	3.5
		10	21	16.3	5
		12	25.4	19.7	9.5

Part Number	Type	D	Nominal	L <sub>1</sub>	B	F	E	L <sub>2</sub>	C	Width Across Flats	Thread Size M	Mass (g)
USYELN	4	1	M5	21.5	14.5	2.5	14	26.5	9	13	R1/8	15.5
			20.5	2.5	10	17.8	8	M5x0.8	8.2			
	6	2	22.5	15.5	2.5	14	26.5	11.2	13	R1/8	16.5	
			25	3	19	34	17	R1/4	30.5			
	8	3	26.7	4	22.4	39.8	21	R3/8	50.5			
			25.6	2.5	14	26.5	13	R1/8	17.5			
	10	4	28.1	17.8	3	19	34	13.6	17	R1/4	31.5	
			29.8	4	22.4	39.8	21	R3/8	51			
	12	5	28.9	3	19	34	17	R1/4	33			
			30.6	19.4	4	22.4	39.8	16.3	21	R3/8	52.5	
	12	5	32.9	5	27	44.8	24	R1/2	84.5			
			36.5	24.5	4.5	18.4	28.9	21.2	14	R1/4	64	
12	5	35.9	22.4	4	22.4	39.8	19.7	21	R3/8	57		

Applicable Fluid	Compressed Air
Operating Temperature Range	0~60°C
Max. Operating Pressure	0.9 MPa
Operating Vacuum Level	-100 kPa