
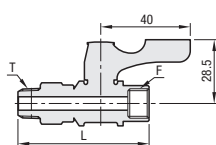

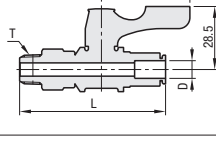

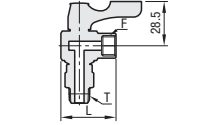


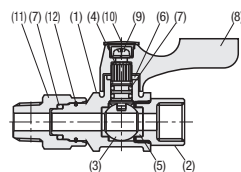
Compact Ball Valves

Rotary Straight / Elbow Type / Stainless Steel

For Rotary Type, the valve body and mounting part rotate separately.


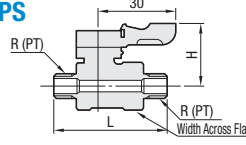

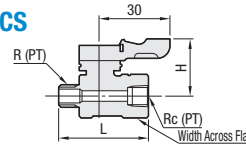

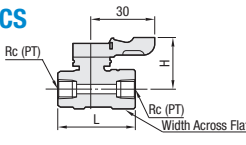

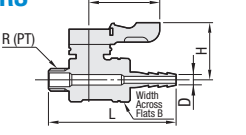
Rotary Straight Type 	BBPTR 
Rotary Straight Type 	BBPCR 
Rotary Elbow Type 	BBPTL 

Material & Parts



Part No.	Name of Parts	Material	Qty.
(1)	Body	Brass (Chrome Plating)	1
(2)	Sockets	Brass (Chrome Plating)	1
(3)	Ball	Brass (Chrome Plating)	1
(4)	Stem	Brass	1
(5)	Sheet	Fluorine Resin	2
(6)	Ring	Brass	1
(7)	O-Ring	Synthetic Rubber	2
(8)	Handles	Plastic	1
(9)	Screw	Steel	1
(10)	Cap	Plastic	1
(11)	RV Type Adapters	Brass (Chrome Plating)	1
(12)	Retaining Ring	Stainless Steel	1

For stainless steel ball valves, picture shows "open" status. Close condition can be obtained by counterclockwise rotation of 90°.

Stainless Steel – PT Threaded / PT Threaded 	BBPPS 
Stainless Steel – PT Threaded / PT Tapped 	BBRCS 
Stainless Steel – PT Female / PT Tapped 	BBCCS 
Stainless Steel – PT Threaded / Hose Connection 	BBHRS 

Part Number Example	Part Number
	BBPPS11

Specifications

Applicable Fluid	Water, Air, Oil
Operating Temperature Range	-10~80°C (No Freezing)
Normal Operating Pressure	0.98 MPa

Part Number		Handle Color	T R (PT)	F G (PF)	L	
Type	No.					
BBPTR	11F	Not Specified (Orange) B (Black) W (White) Y (Yellow) BL (Blue)	1/8	1/8	60	
	22F		1/4	1/4	59	
BBPCR	61		Not Specified (Orange) B (Black) W (White) Y (Yellow) BL (Blue)	6	1/8	66
	82			8	1/4	
BBPTL	11F	Not Specified (Orange) B (Black) W (White) Y (Yellow) BL (Blue)		1/8	1/8	37
	22F			1/4	1/4	36

Specifications

Applicable Fluid	Water, Air, Oil
Operating Temperature Range	-10~80°C (No Freezing)
Normal Operating Pressure	0.98 MPa

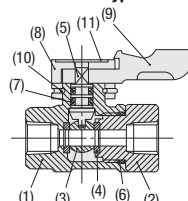
Part Number		R (PT)	L	Wrench Flats B	H
Type	No.				
BBPPS	11	1/8	44	17	24
	22	1/4	48		
	33	3/8	57.5		

Part Number		R (PT)	Rc (PT)	L	Wrench Flats B	H
Type	No.					
BBRCS	11	1/8	1/8	38	17	24
	22	1/4	1/4	43		
	33	3/8	3/8	54		

Part Number		Rc (PT)	L	Wrench Flats B	H
Type	No.				
BBCCS	11	1/8	36	17	24
	22	1/4	39		
	33	3/8	53		

Part Number		Applicable Hose Inner Dia. (mm)	R (PT)	D	L	Wrench Flats B	H
Type	No.						
BBHRS	61	6	1/8	7	55	17	24
	62		1/4		57		
	91		1/8		55		
	92		1/4		57		
93	3/8	10.5	64	21	26		

Parts & Materials for Stainless Steel Type


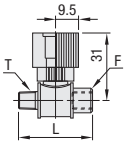

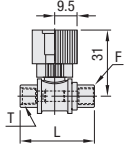

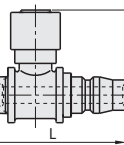


Part No.	Name of Parts	Material	Qty.
(1)	Body	CF-8 Stainless Steel Cast	1
(2)	End Cap	304 Stainless Steel	1
(3)	Ball	316 Stainless Steel	1
(4)	Sheets	PTFE (Glass Fiber 15%)	2
(5)	Stem	304 Stainless Steel	1
(6)	O-Ring	FPM (Viton E-60, F-715-70)	1
(7)	O-Ring	FPM (Viton E-60, F-715-70)	2
(8)	Handle Guide	ZDC2 Zinc Alloy Cast	1
(9)	Lever Handle	ADC-12 Aluminum Alloy Cast	1
(10)	Lock Ring	304 Stainless Steel	1
(11)	Name-plate	Polycarbonate	1


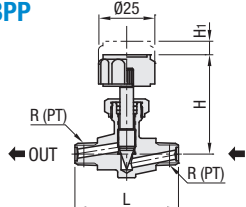

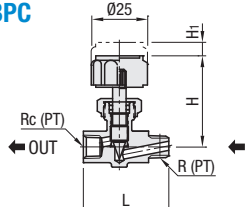

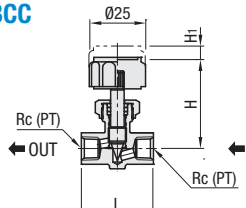

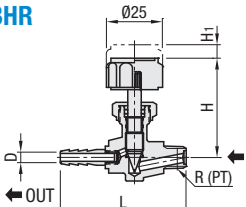
Compact Ball Valves / Compact Needle Valves

Knurled

Compact Ball Valves

Knurled Type – PT Threaded / PF Tapped 	BBPTS 
Knurled Type – PT Tapped / PF Tapped 	BBFFS 
Knurled Type – PT Threaded / Coupler Socket 	BBKB 

Compact Needle Valves

PT Threaded / PT Threaded 	NSBPP 
PT Threaded / PT Tapped 	NSBPC 
PT Tapped / PT Tapped 	NSBCC 
PT Threaded / Hose Connection 	NSBHR 

Part Number Example	Part Number
	BBKB11F NSBCC33

Part Number		T R (PT)	F G (PF)	L
Type	No.			
BBPTS	11F	1/8	1/8	43
	12F	1/8	1/4	
	21F	1/4	1/8	
	22F	1/4	1/4	
	32F	3/8	1/4	53
	33F	3/8	3/8	
43F	1/2	3/8		

Height of 33F & 43F is 32.

Part Number		T RC (PT)	F G (PF)	L
Type	No.			
BBFFS	11F	1/8	1/8	43
	12F	1/8	1/4	
	21F	1/4	1/8	
	22F	1/4	1/4	
	33F	3/8	3/8	53

Height of 33F is 32.

Part Number		T R (PT)	L
Type	No.		
BBKB	11F	1/8	53
	22F	1/4	
	33F	3/8	

Part Number		R (PT)	L	H	H ₁
Type	No.				
NSBPP	11	1/8	46	44	6
	22	1/4	46		
	33	3/8	50		

Part Number		R (PT)	Rc (PT)	L	H	H ₁
Type	No.					
NSBPC	11	1/8	1/8	38	44	6
	22	1/4	1/4	42		
	33	3/8	3/8	45		

Part Number		Rc (PT)	Rc (PT)	L	H	H ₁
Type	No.					
NSBCC	11	1/8	1/8	32	44	5
	22	1/4	1/4	36		
	33	3/8	3/8	40		

Part Number		Applicable Hose I.D. (mm)	R (PT)	D	L	H	H ₁
Type	No.						
NSBHR	61	6	1/8	7	56	44	6
	93		3/8				

Specifications

Applicable Fluid	Water, Air, Oil
Operating Temperature Range	-10~80°C (No Freezing)
Normal Operating Pressure	0.98 MPa

Features of Needle Valves

- Suited for fine adjustment of flow rate of water, oil or air.
- The body and the needle are chrome plated to improve air tightness, damage-proofing and smooth operation.
- The spindle is provided with a lock nut to prevent loosening due to vibration.