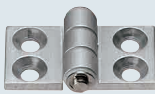



# Aluminum Hinges

Short / Long Type / Protruded Aluminum

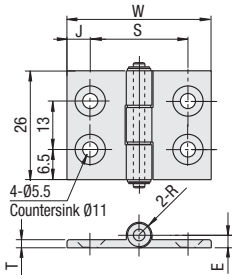
**Aluminum Hinges Short Type**



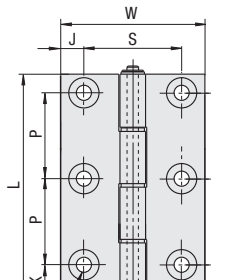
**Long Type**



**Short Type**  
**HHPNSNC**  
 Clear Anodize  
**HHPBSNC**  
 Black Anodize



**Long Type**  
**HHPNSNL**  
 Clear Anodize  
**HHPBSNL**  
 Black Anodize



Material: 6063-T5 Aluminum Alloy Bushing: Polyacetal  
 Surface Treatment: Anodize

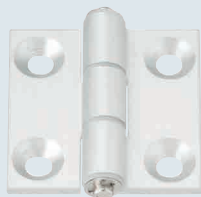
| Part Number                         | *Allowable Load |     | Mass g | W  | J    | S       | T   | E   | R   | Applicable Screws/Nuts for Aluminum Extrusion |          |         |          |
|-------------------------------------|-----------------|-----|--------|----|------|---------|-----|-----|-----|---|----------|---------|----------|
|                                     | No.             | N   |        |    |      |         |     |     |     | Screws  | Quantity | Nuts    | Quantity |
| HHPNSNC<br>HHPBSNC<br>Black Anodize | 5               | 10  | 19     | 36 | 7.5  | 21      | 3.5 | 5   | 5   | Flathead Screw 5-8                            | 4        | HNTT5-5 | 4        |
|                                     | 6               | 10  | 24     | 48 | 8    | HNTT6-5 |     |     |     |   |          |         |          |
|                                     | 8               | 15  | 27     | 62 | 10   | HNTT8-5 |     |     |     |   |          |         |          |
| 8-45                                | 15              | 147 | 36     | 80 | 16.5 | 47      | 4.5 | 5.5 | 5.5 | Flathead Screw 5-12                           |          |         |          |

\* The allowable load is the value when two pieces are used.

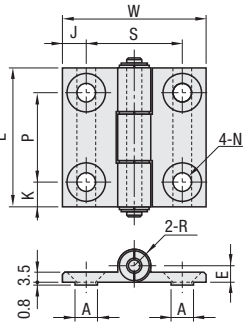
| Part Number                         | *Allowable Load |     | Mass g | L   | W  | K    | P  | J    | S       | N       |             | T   | E   | R   | Applicable Screws/Nuts for Aluminum Extrusion |          |         |          |
|-------------------------------------|-----------------|-----|--------|-----|----|------|----|------|---------|---------|-------------|-----|-----|-----|---|----------|---------|----------|
|                                     | No.             | N   |        |     |    |      |    |      |         | Through | Countersunk |     |     |     | Screws  | Quantity | Nuts    | Quantity |
| HHPNSNL<br>HHPBSNL<br>Black Anodize | 5               | 15  | 49     | 66  | 36 | 8    | 25 | 7.5  | 21      | 6.5     | 11          | 3.5 | 5.5 | 5.5 | Flathead Screw 5-8                            | 6        | HNTT5-5 | 6        |
|                                     | 6               | 15  | 69     | 78  | 48 | 9    | 30 | 8    | HNTT6-5 |         |             |     |     |     |   |          |         |          |
|                                     | 8               | 15  | 106    | 113 | 62 | 13.5 | 43 | 10   | 42      |         |             |     |     |     |   |          | HNTT8-6 |          |
| 8-45                                | 23              | 220 | 144    | 113 | 80 | 13.5 | 43 | 16.5 | 47      | 6.5     | 13          | 4.5 | 5.5 | 5.5 | Flathead Screw 6-10                           |          |         |          |

\* The allowable load is the value when two pieces are used.

**Protruded Aluminum Hinges**

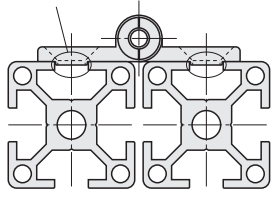


**HHPSDT**



Material: 6063 Aluminum Alloy Bushing: Polyacetal  
 Surface Treatment: Clear Anodize

**Application Example**



The protrusion prevents misalignment when assembling.

For a set of screws and nuts for an aluminum frame extrusion, refer to **P.2936**

When the hinges are mounted onto an object such as a panel, hinge nuts are recommended as shown on **P.3255**

| Part Number | *Allowable Load |    | Mass g | L  | W   | K  | P  | J   | S       | N       |             | E   | A   | R   | Applicable Screws/Nuts for Aluminum Extrusion |          |         |          |
|-------------|-----------------|----|--------|----|-----|----|----|-----|---------|---------|-------------|-----|-----|-----|---|----------|---------|----------|
|             | No.             | N  |        |    |     |    |    |     |         | Through | Countersunk |     |     |     | Screws  | Quantity | Nuts    | Quantity |
| HHPSDT      | 5               | 10 | 23     | 47 | 36  | 11 | 25 | 7.5 | 21      | 6.5     | 11          | 5.5 | 7.5 | 5.5 | Flathead Screw 5-8                            | 4        | HNTT5-5 | 4        |
|             | 6               | 10 | 35     | 48 | 8.5 | 30 | 8  | 32  | HNTT6-6 |         |             |     |     |     |   |          |         |          |
|             | 8               | 10 | 51     | 63 | 13  | 37 | 10 | 42  | HNTT8-6 |         |             |     |     |     |   |          |         |          |

\* The allowable load is the value when two pieces are used.

**Part Number Example**

Part Number: **HHPNSNC5**  
**HHPBSNL8-45**  
**HHPSDT6**

**Part Number Alterations**

Part Number: **HHPNSJ6** - Color: **B** - (SET / SST)

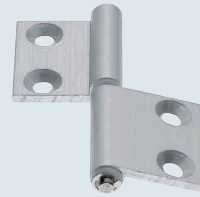
| Alteration                 | Code                          | Spec.   | Hinge   | No.  |
|----------------------------|-------------------------------|---|---------|------|
| Applicable Screw & Nut Set | SET<br>SST<br>Stainless Steel | Include applicable screws and nuts as a set. When SST is specified, screws and nuts will be in stainless steel.<br>( ) When -SET is specified, the material of the Flat head Screws is Black Oxide 4137 Alloy Steel | HHPNSNC | 5    |
|                            |                               |   | HHPBSNC | 6    |
|                            |                               |   | HHPNSNL | 8    |
|                            |                               |   | HHPBSNL | 8-45 |
|                            |                               |   | HHPNSNL | 5    |
|                            |                               |   | HHPBSNL | 6    |
|                            |                               |   | 8       | 8-45 |

| Alteration                 | Code                            | Spec.   | Hinge  | No. |
|----------------------------|---------------------------------|---|--------|-----|
| Applicable Screw & Nut Set | SET<br>SST<br>(Stainless Steel) | Applicable screws and nuts come in a set. When SST is specified, screws and nuts will be in stainless steel.<br>(Ex.) Screw: CBSST5-8<br>Nut: HNTT5N6-5 | HHPNSJ | 5   |
|                            |                                 |   | HHPNSJ | 6   |
|                            |                                 |   | HHPNSJ | 845 |
|                            |                                 |   | HHPNSJ | 5   |
|                            |                                 |   | HHPNSJ | 6   |
|                            |                                 |   | HHPNSJ | 8   |


# Flag Hinges / Stop Hinges

for Different Shape Frames

**Flag Hinges**

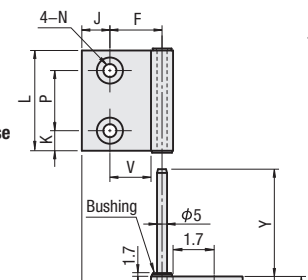


(Photo: Hinge for left-hand use)

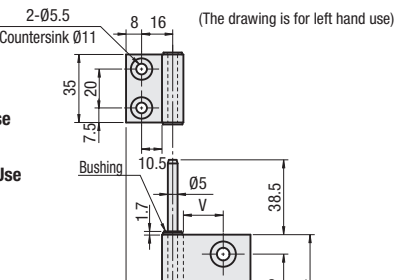


(Photo: Hinge for right-hand use)

**Flag Hinges For Left-hand Use**  
**HHPFLN**  
**HHPFRN**  
 For Right-hand Use



**Flag Hinges for Different Extrusion Sizes**  
**HHPFDLN**  
 For Left-hand Use  
**HHPFDRN**  
 For Right-hand Use



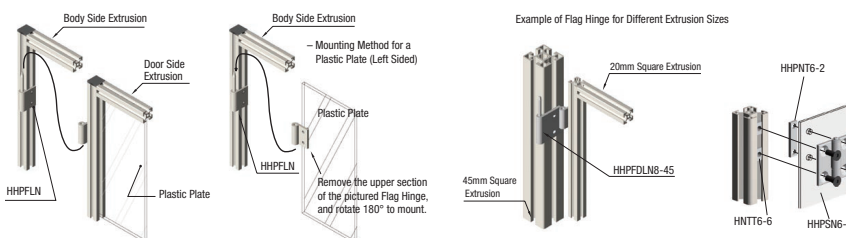
Material: 6063-T5 Aluminum Alloy Bushing: Polyacetal (White)  
 Surface Treatment: Anodize

| Part Number        | *Allowable Load |     | Mass (g) | L  | W  | K   | P  | J    | F       | V    | N       |             | T   | Y    | Applicable Screws/Nuts for Aluminum Extrusion |            |         |            |
|--------------------|-----------------|-----|----------|----|----|-----|----|------|---------|------|---------|-------------|-----|------|---|------------|---------|------------|
|                    | No.             | N   |          |    |    |     |    |      |         |      | Through | Countersunk |     |      | Screws  | Quantity   | Nuts    | Quantity   |
| HHPFLN<br>HHPFRN   | 5               | 10  | 36       | 35 | 48 | 7.5 | 20 | 8    | 16      | 10.5 | 5.5     | 11          | 3.5 | 38.5 | Flathead Screw 5-8                            | 4          | HNTT5-5 | 4          |
|                    | 6               | 10  | 46       | 40 | 62 | 7.5 | 25 | 10   | 21      | 15.5 |         |             |     |      |   |            | HNTT6-6 |            |
|                    | 8               | 15  | 74       | 50 | 80 | 10  | 30 | 14   | 26      | 20.5 |         |             |     |      |   |            | HNTT8-6 |            |
| 8-45               | 15              | 147 | 74       | 50 | 80 | 10  | 30 | 11.5 | 28.5    | 23   | 6.5     | 13          | 4.5 | 53.5 | Flathead Screw 6-15                           |            |         |            |
| HHPFDLN<br>HHPFDRN | 6               | 10  | 42       | 55 | 40 | 7.5 | 25 | 10   | 21      | 15.5 | -       | -           | 3.5 | -    | Flathead Screw 6-10,<br>Flathead Screw 5-8    | 2 pcs each | HNTT6-6 | 2 pcs each |
|                    | 8               | 10  | 50       | 10 | 30 | 14  | 26 | 20.5 | HNTT8-6 |      |         |             |     |      |   |            |         |            |
|                    | 8-45            | 15  | 147      | 56 | 64 | 50  | 10 | 30   | 11.5    | 28.5 |         |             |     |      |   |            | 23      |            |

\* The allowable load is the value when two pieces are used.

**Application Example**

When the hinges are mounted onto an object such as a panel, hinge nuts are recommended as shown on **P.3255**




**Part Number Example**

Part Number: **HHPFLN5** - (SET / SST)  
**SET**

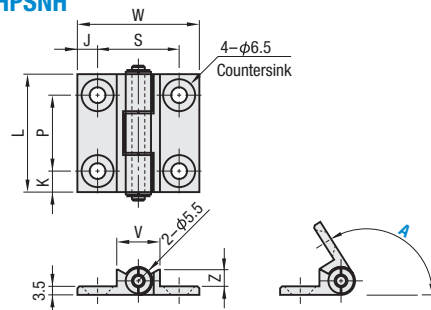
| Alteration                   | Code                          | Spec.  | Hinge   | No.  |
|------------------------------|-------------------------------|--|---------|------|
| Applicable Screw and Nut Set | SET<br>SST<br>Stainless Steel | Applicable screws and nuts come in a set. When SST is specified, screws and nuts will be in stainless steel.<br>(Ex.) Screw: CBSST5-8<br>NUT: HNTT5N6-5<br>When - SET is specified, the material of the Screws is Steel with Black Oxide Finish. | HHPFLN  | 5    |
|                              |                               |  | HHPFRN  | 6    |
|                              |                               |  | HHPFLN  | 8    |
|                              |                               |  | HHPFRN  | 8-45 |
|                              |                               |  | HHPFDLN | 6    |
|                              |                               |  | HHPFDRN | 8    |
|                              |                               |  | HHPNSH  | 8-45 |
|                              |                               |  | HHPNSH  | 6    |
|                              |                               |  | 8       |      |

When SET is specified, the product is not RoHS compliant.

**Stop Hinges**



**HHPNSH**



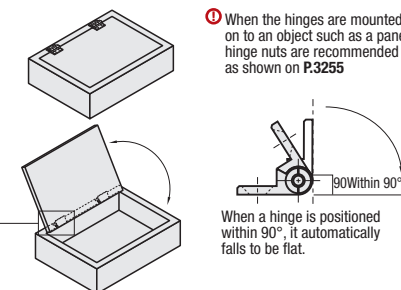
Material: 6063-T5 Aluminum Alloy Bushing: Polyacetal  
 Surface Treatment: Clear Anodize

| Part Number | Type | No. | A (Angle) | *Allowable Load |    | Mass g | L  | W  | K   | P  | J  | S  | V  | Z   | App. Screws/Nuts for Alum. Extrusion |          |         |          |
|-------------|------|-----|-----------|-----------------|----|--------|----|----|-----|----|----|----|----|-----|--------------------------------------|----------|---------|----------|
|             |      |     |           | kg              | N  |        |    |    |     |    |    |    |    |     | Screws                               | Quantity | Nuts    | Quantity |
| HHPNSH      | 6    | 10  | 120       | 37              | 98 | 36     | 47 | 48 | 8.5 | 30 | 8  | 32 | 17 | 6.8 | Flathead Screw 6-10                  | 4        | HNTT6-6 | 4        |
|             |      |     |           | 4.2             |    |        |    |    |     |    |    |    |    |     |                                      |          |         |          |
|             |      |     |           | 5.4             |    |        |    |    |     |    |    |    |    |     |                                      |          |         |          |
|             |      |     |           | 4.2             |    |        |    |    |     |    |    |    |    |     |                                      |          |         |          |
| HHPNSH      | 8    | 10  | 135       | 58              | 98 | 56     | 63 | 62 | 13  | 37 | 10 | 42 | 21 | 7.3 | Flathead Screw 6-12                  | 4        | HNTT8-6 | 4        |
|             |      |     |           | 4.2             |    |        |    |    |     |    |    |    |    |     |                                      |          |         |          |
|             |      |     |           | 5.8             |    |        |    |    |     |    |    |    |    |     |                                      |          |         |          |
|             |      |     |           | 4.5             |    |        |    |    |     |    |    |    |    |     |                                      |          |         |          |

\* The allowable load is the value when two pieces are used.

**Application Example**

The lid of the box stops at a constant level.



When the hinges are mounted on to an object such as a panel, hinge nuts are recommended as shown on **P.3255**

When a hinge is positioned within 90°, it automatically falls to be flat.

**Part Number Example**

Part Number: **HHPNSH6** - Angle: **120**