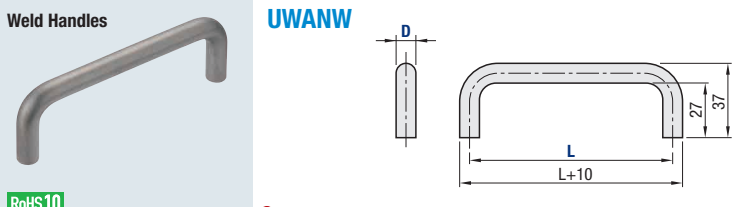


# Handles

Weld / Spring Loaded / Stainless Steel Rotary

**Weld Handles** **UWANW**



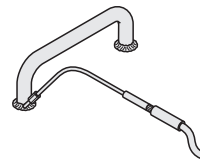
RoHS 10

Antirust oil is applied to protect the raw material. **Material:** 12L13 Carbon Steel

Part Number		L	Mass (g)
Type	D		
UWANW	10	80	83
		100	95
		120	109

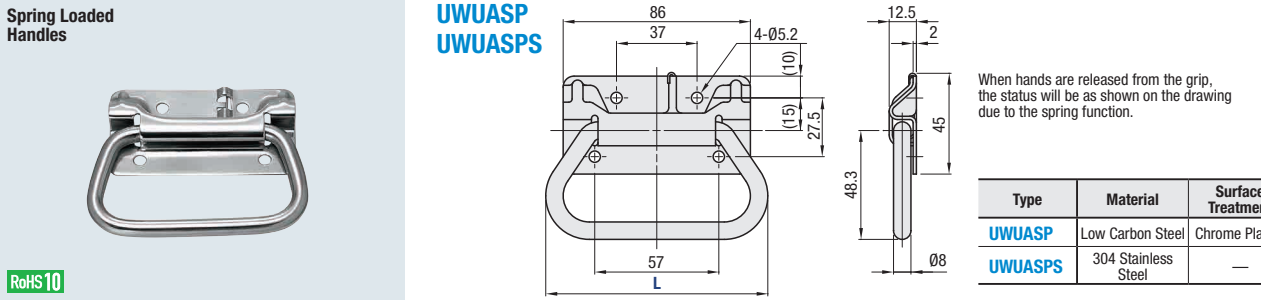
Part Number Example **UWANW10 - L**

**Application Example**



**Features**  
These handles have no tapped holes to cause any splutters from expanding air.

**Spring Loaded Handles** **UWUASP**  
**UWUASPS**



RoHS 10

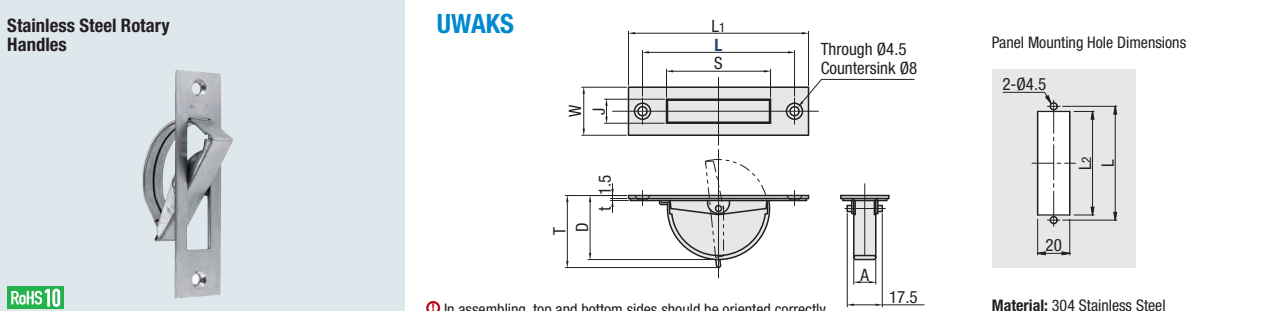
When hands are released from the grip, the status will be as shown on the drawing due to the spring function.

Type	Material	Surface Treatment
UWUASP	Low Carbon Steel	Chrome Plating
UWUASPS	304 Stainless Steel	—

Part Number		L	Mass (g)
Type	L		
UWUASP Steel	102	158	
UWUASPS Stainless Steel			

Part Number Example **UWUASP102**

**Stainless Steel Rotary Handles** **UWAKS**



RoHS 10

In assembling, top and bottom sides should be oriented correctly.

**Material:** 304 Stainless Steel

Part Number		W	L <sub>1</sub>	S	J	D	T	t	A	L <sub>2</sub>	Mass (g)
Type	L										
UWAKS	76	24	90	52	12	32	36	1	11	60	49
	94										
	115										

Part Number Example **UWAKS94**

# Embedded Handles

Stainless Steel

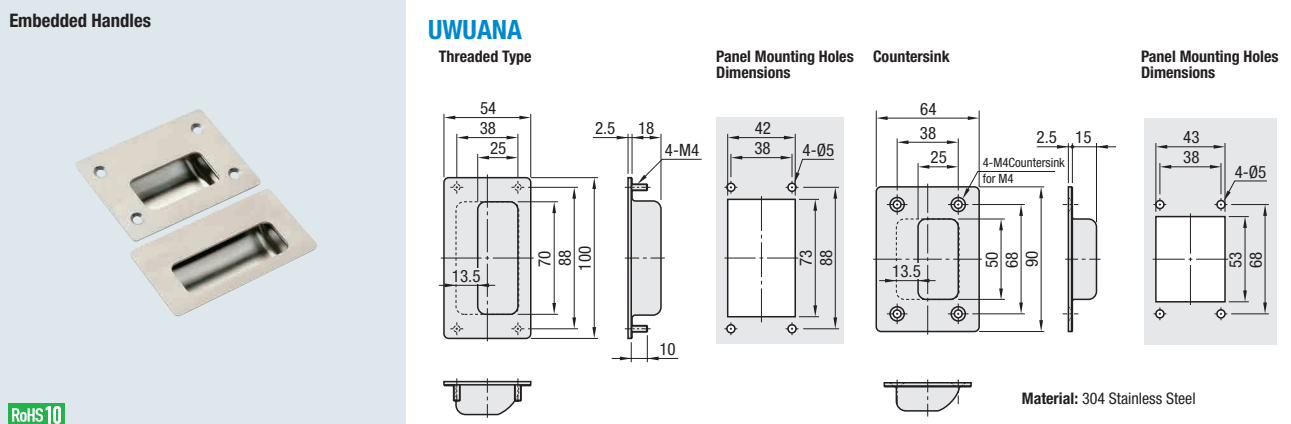
**Embedded Handles** **UWUANA**

**Threaded Type**

**Panel Mounting Holes Dimensions**

**Countersink**

**Panel Mounting Holes Dimensions**



RoHS 10

**Material:** 304 Stainless Steel

Part Number	Threaded Countersunk Hole Type	Mass (g)
UWUANA	B Threaded Type	85 Threaded Type
	S Countersunk Type	94 Countersunk Type

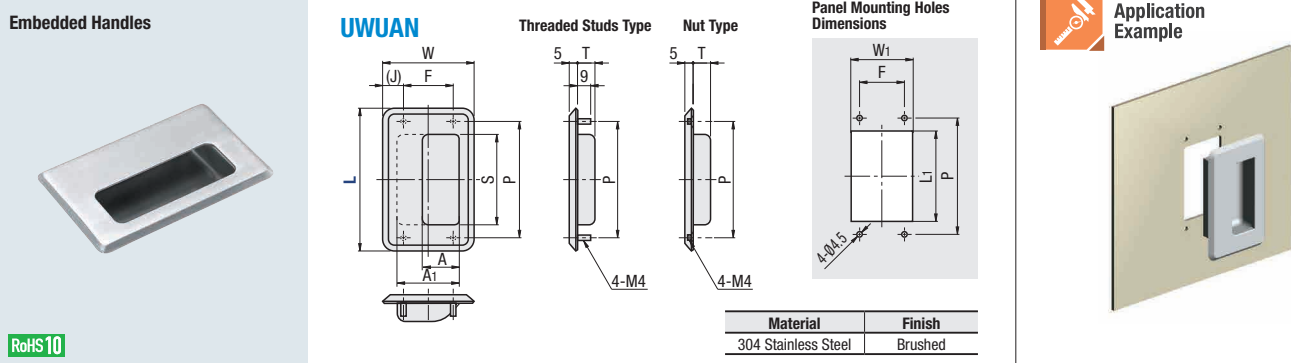
Part Number Example **UWUANA - B**

**Embedded Handles** **UWUAN**

**Threaded Studs Type**

**Nut Type**

**Panel Mounting Holes Dimensions**



RoHS 10

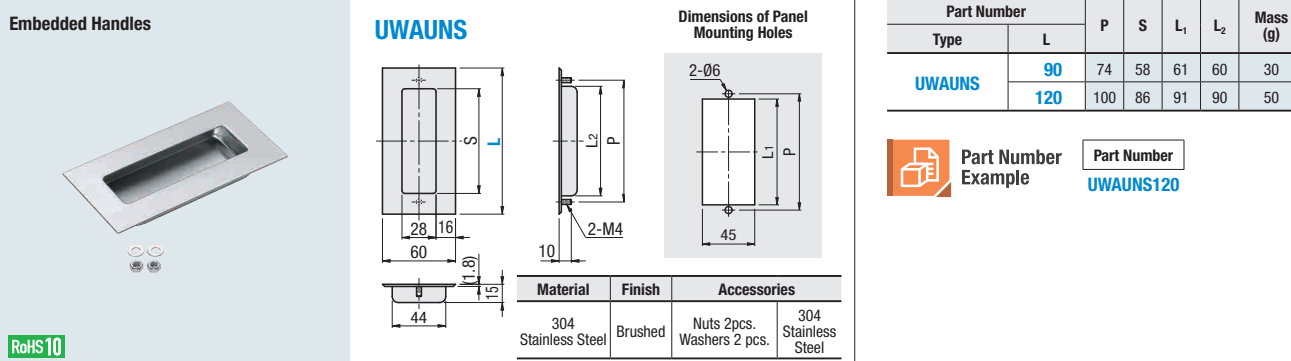
Material	Finish
304 Stainless Steel	Brushed

Part Number		Threaded Studs Type	W	P	F	S	A	A <sub>1</sub>	T	(J)	L <sub>1</sub>	W <sub>1</sub>	Mass (g)
Type	L												
UWUAN	94	B Threaded Studs Type	60	76	32	61	25	43	12	14.5	63	43	80
	109.5												
	138												
			88	110	65	96	35	62	21	11.5	99	64	170

Part Number Example **UWUAN94 - B**

**Embedded Handles** **UWAUNS**

**Dimensions of Panel Mounting Holes**



RoHS 10

Part Number		P	S	L <sub>1</sub>	L <sub>2</sub>	Mass (g)
Type	L					
UWAUNS	90	74	58	61	60	30
	120	100	86	91	90	50

Material	Finish	Accessories
304 Stainless Steel	Brushed	Nuts 2pcs. Washers 2 pcs. 304 Stainless Steel

Part Number Example **UWAUNS120**