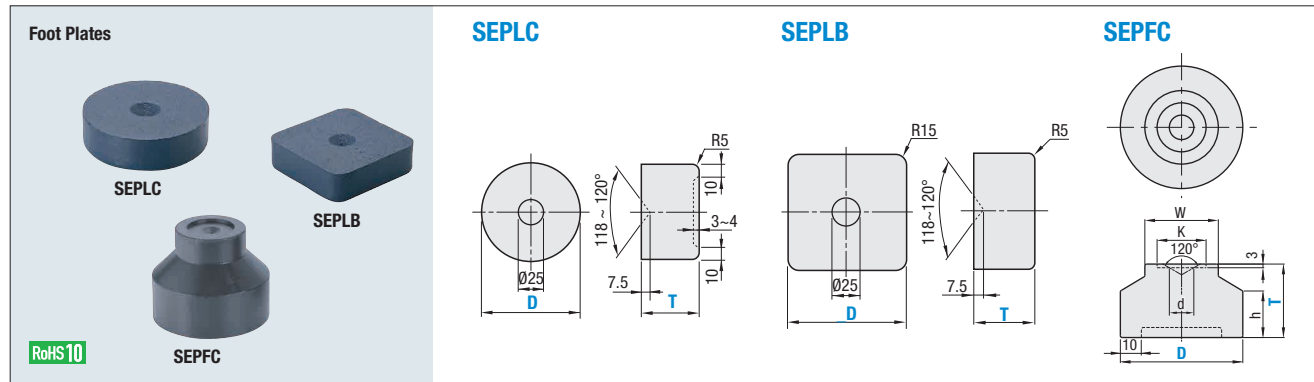


# Foot Plates

## Standard



Part Number		T	Reference Load Capacity kN	Mass (g)
Type	D			
SEPLC	60	20	5.6	360
		30	14.8	560
	80	20	5.6	600
		30	14.8	990
	100	20	5.6	950
		30	14.8	1560
	50	46.2	2680	

Part Number		T	Reference Load Capacity kN	Mass (g)
Type	D			
SEPLB	80	20	10.8	880
		30	24.5	1310
		50	68.5	2260
	100	20	10.8	1350
		30	24.5	2050
		50	68.6	3400
150	20	10.8	3210	
	30	24.5	4620	

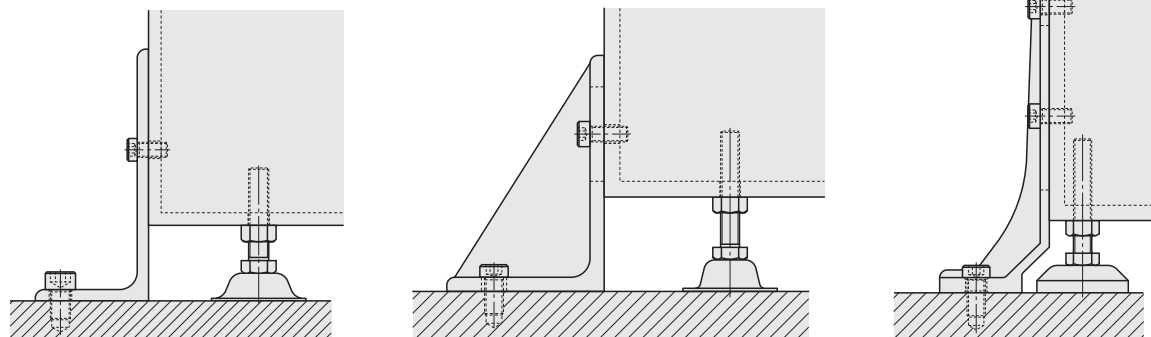
Part Number		T	K	d	W	h	Reference Load Capacity kN	Mass (g)			
Type	D										
SEPFC	80	60	30	20	60	30	10	1650			
	100	80	40								
	120	100	42						70	12	6450
	150	150							80	20	12900

**Part Number Example**

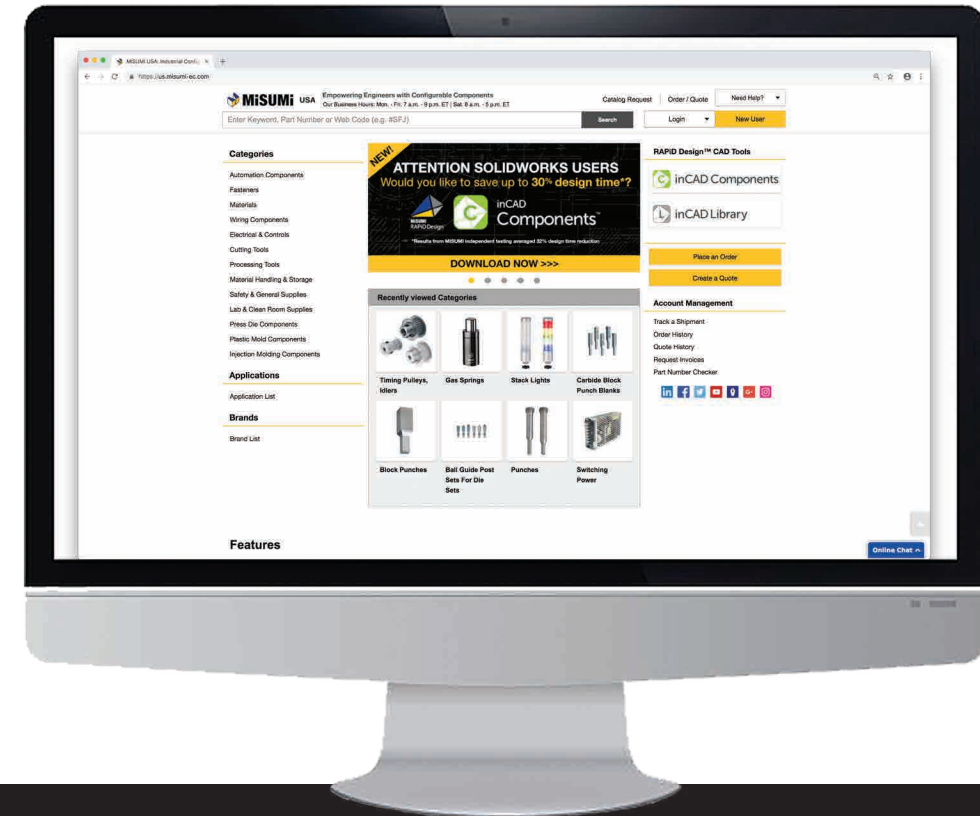
Part Number - L

SEPLC60 - 20  
 SEPLB80 - 30  
 SEPFC100 - 80

### Application Example



# ONLINE ORDERING AT YOUR FINGERTIPS



## PURCHASING MADE EASY

THE RIGHT PRODUCTS AT THE RIGHT PRICE, WHEN YOU NEED THEM.



ONLINE ORDERING FOR MOST PRODUCTS



NO MINIMUM ORDER QUANTITY



SAME-DAY SHIPPING ON STOCKED COMPONENTS

**MISUMIUSA.COM**

#80Sextillion