


# Hinges

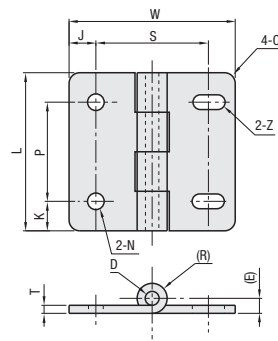
## With Slotted Holes / Stainless Steel for Heavy Loads

Hinges with Slotted Holes



RoHS10

**SHPSNA**




When the Hinges are mounted to the panels, etc., use the recommended Hinge Nuts on P.3255

Material: 304 Stainless Steel

Part Number	*Allowable Load		Mass (g)	L	W	K	P	J	S	N	Z	T	(E)	(R)	CR	D		
	No.	kg															N	
SHPSNA	5	9	88	34	41	36	8	25	7.5	21	5.5	5.5 x 6.5	2	4.6	4.6	4	5	
	6	12	117	48	48	48	9	30	8	32								6.5 x 10
	8	25	245	111	59	62	11	37	10	42								6.5 x 10

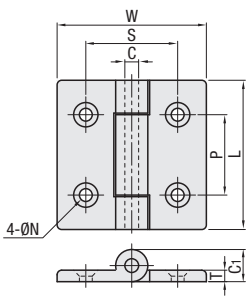
\*The allowable load is the value when two pieces are used.

Stainless Steel Hinges for Heavy Loads



RoHS10

**SHHPSZ**



	Material	Surface Treatment
(1) Caster	316 Stainless Steel	Buffed Finish
(2) Shaft		

Part Number	Type	No.	*Allowable Load (N)	Weight (g)	L	W	P	S	C	C <sub>1</sub>	T	N		Screws / Nuts				
												Through	Countersunk	Screws	Quantity	Nuts	Quantity	
SHHPSZ		6	350	109	47	48	30	32	6	14	5	5.5	11	4	HNTT6-5	4	Flathead Screw 5-10	
		8	450	172	63	62	37	42	6	14	5	6.5	13					Flathead Screw 6-12
		8-45	450	246	63	80	43	47	8	16	6	6.5	13					Flathead Screw 6-15


\*The allowable load is the value when two pieces are used.

Part Number Example: SHHPSZ6

# Detachable Hinges

## Detachable Aluminum Hinges

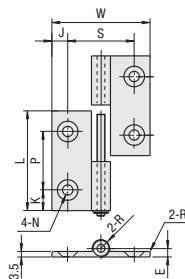
Detachable Aluminum Hinges



RoHS10

**HHPNL**  
(For Left-hand Use)

**HHPNR**  
(For Right-hand Use)



When the Hinges are mounted to the panels, etc. use the recommended Hinge Nuts on P.3255

Material: 6063-T5 Aluminum Alloy  
Bushings: Polyacetal  
Surface Treatment: Anodize

Part Number	Type	No.	*Allowable Load		Mass (g)	L	W	K	P	J	S	N		E	R	Screws / Nuts														
			kg	N								Through	Countersunk			Screws	Quantity	Nuts	Quantity											
Detachable Hinges	HHPNL For Left-hand Use	5	10	98	22	47	36	11	25	7.5	21	5.5	11	5	5	4	Flathead Screw 5-8	HNTT5-5	4											
	HHPNR For Right-hand Use	6			33															48	8.5	30	8	32	6.5	13	5.5	5.5	Flathead Screw 6-10	HNTT6-6
		8			48															63	13	37	10	42					Flathead Screw 6-12	HNTT8-6

\*The allowable load is the value when two pieces are used.


Part Number Alterations: SHHPSZ6 - SET

When - SET is specified, the product is not RoHS compliant.

Alteration	Code	Spec.	Hinges	No.
Applicable Screw Nut Set	SET SST (Stainless Steel)	Applicable screws and nuts come in a set. When SST is specified, stainless steel screw and nut are included. (When - SET is specified, the material of the Flathead Screws is 4137 Alloy Steel and their surface treatment is Black Oxide.)	SHPSNA	5
				6
				8
			SHHPSZ	6
				8
				8-45
			HHPNL	5
			HHPNR	8

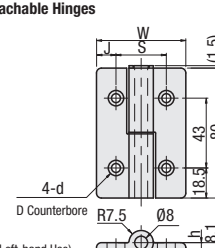
SET alteration is not available for No. 5, 6, and 8.

Detachable Aluminum Hinges



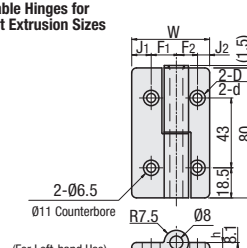
RoHS10

Detachable Hinges



(For Left-hand Use)

Detachable Hinges for Different Extrusion Sizes



(For Left-hand Use)

	Type	Leaf		Bushings	
		Material	Surface Treatment	Material	
For Left-Hand Use	HHPNLK	ADC12 Aluminum Alloy Cast	Shot Blasted	Polyacetal	
	HHPNLK-B		Baked Finish (Black)		
	HHPNLK-S		Baked Finish (Silver Metallic)		
For Right-Hand Use	HHPNRK	ADC12 Aluminum Alloy Cast	Shot Blasted	Polyacetal	
	HHPNRK-B		Baked Finish (Black)		
	HHPNRK-S		Baked Finish (Silver Metallic)		

Part Number	Type	No.	*Allowable Load		Mass (g)	W	J	S	D	d	h	Screws / Nuts					
			kg	N								Screws	Quantity	Nuts	Quantity		
Detachable Hinges	HHPNLK	5-25	10	98	86	41	7.5	26	9.5	5.5	4.1	CBS5-8	4 Pcs.	HNTT5-5	4 Pcs.		
	HHPNRK				103	55	12	31									
	HHPNLK-B	8	15	147	120	73	16	41	11	6.5	4.4					CBS6-12	HNTT6-6
	HHPNLK-S				130	83	18.5	46									

Part Number	Type	No.	*Allowable Load		Mass (g)	W	J <sub>1</sub>	F <sub>1</sub>	D	d	h	J <sub>2</sub>	F <sub>2</sub>	Screws / Nuts						
			kg	N										Screws	Quantity	Nuts	Quantity			
Detachable Hinges for Different Extrusion Sizes	HHPNDLK	6-5	10	98	95	48	12	15.5	9.5	5.5	4.1	7.5	13	CBS5-8 / CBS6-12	2 Pcs. Each	HNTT5-5 / HNTT6-6				
		8-5			103	57	16	20.5									CBS5-8 / CBS6-15	HNTT5-5 / HNTT8-6		
		845-5			108	62	18.5	23											CBS6-12	HNTT6-6 / HNTT8-6
		8-6			111	64	16	20.5									4 Pcs.	HNTT6-6 / HNTT8-6		
		845-6			116	69	18.5	23												

\*The allowable load is the value when two pieces are used.

Part Number Example: HHPNL6