


# Ionizers

## Blow Type / Nozzle Type Dedicated AC Adapter

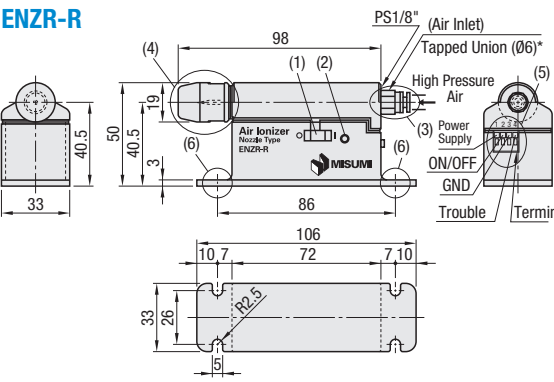
Dampening & Sound Proofing / Protective Products / Antistatic Materials / Brushes

**Ionizers – Blow Type**



Part Name  
 (1) Power Switch  
 (2) Operation-Warning Lamp  
 (3) Air inlet  
 (4) Ion Generator (metal cap)  
 (5) Terminal Block  
 (6) Mounting Holes

**ENZR-R**



PS1/8" (Air Inlet)  
 Tapped Union (Ø6)\*  
 High Pressure Air  
 Power Supply  
 ON/OFF  
 GND  
 Trouble  
 Terminal


RoHS 10

\*Ø6 air tube can be installed.

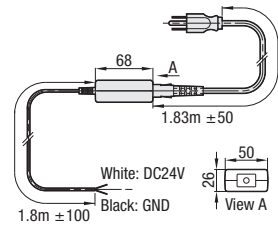
**Ionizer Blow Type ENZR-R Specifications**

Ionizing Method	High Frequency Corona Discharge
Recommended Air Pressure	0.1–0.4 MPa
Air Consumption	55–155 L/min (ANR)
Alarm Output	Dirty Electrode, High Voltage Halted, Strain Relief Removed Panel LED Red ON
Terminal Block	DC24V Input, Ionizer ON/OFF, Grounding, Alarm Output
Ozone Generation Amount	0.02 ppm or Less (300 mm)
Environment	0–40°C, 80% RH or less (However with no dew condensation)
Power Input	DC24V
Consumption Current	110 mA
Mass	Approx. 150 g

**Ionizers – Nozzle Type Dedicated AC Adapter**



**ENZR-RAC**



White: DC24V  
 Black: GND

Input Voltage	AC100V–240V 50/60HZ
Output Voltage	DC24V
Mass	Approx. 270 g

Part Number Example: **ENZR-R**

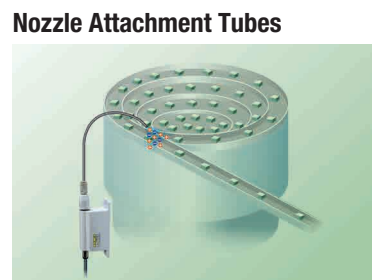
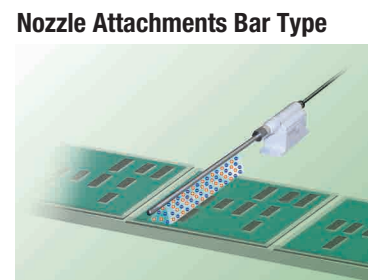
**Application Example**

**Terminal Block Connection**

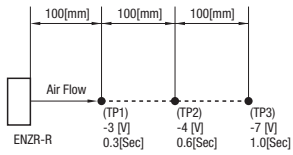
Number	Name	Note
1	Power Input	DC24V±10% Connect the switching power or AC adapter. For AC adapter, connect the white-black line.
2	Neutralization ON/OFF	Stop terminal number (2) and shortened (3) and neutralization.
3	Ground Terminal	Always connect to ground. For AC adapter, connect the black line.
4	Alarm Output	Photo Coupler Open Collector Output Max. ratings for photo coupler 100mA, 24V (10mA, 24V is recommended) Neutralization Halted, Dirty Electrode, Strain Relief Removed, Abnormal Discharge: Alarm is output.

**Features**

- When the operating lamp is red, it indicates electrode pin stain or high voltage circuit abnormality, so external output is possible.
- With High Frequency AC Type, high speed neutralization is possible.
- Due to its compact design, it can be installed in narrow places inside various kinds of equipment.
- Air consumption is small and the running cost is low.



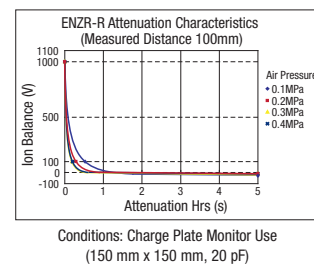
**Ion Balance, Neutralization Property**



ENZR-R  
 (TP1) -3 [V] 0.3[Sec]  
 (TP2) -4 [V] 0.6[Sec]  
 (TP3) -7 [V] 1.0[Sec]

Cautions: Measured values are not guaranteed values but an example of measured values.


Conditions: Charge Plate Monitor Use (150 mm x 150 mm, 20 pF)  
 Top Ion Balance  
 Bottom ±1000V±100V  
 Air Pressure 0.2 MPa



# Nozzle Attachments

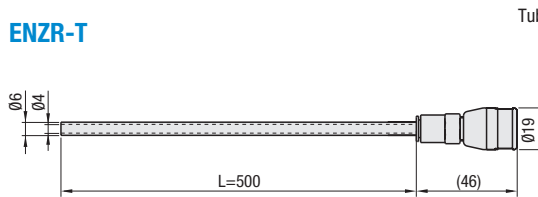
## Tube Type / Stainless Steel Bar Type

**Nozzle Attachments – Tube Type**



RoHS 10

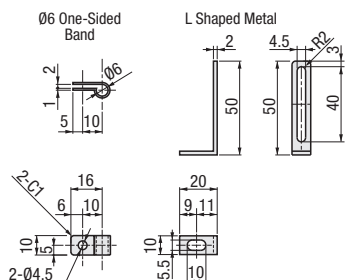
**ENZR-T**



L=500  
 (46)

- Tube Nozzles
- Tube Length: 500 [mm]
- Tube Diameter: 6 [Ø]
- Recommended Air Pressure: 0.1–0.4 [Mpa]
- Air Consumption: 55–155 [L/min]
- Material: Nafion PTFE Conductive Tube (Fluorine Resin)

**Tube Fixing Metal (Accessories)**



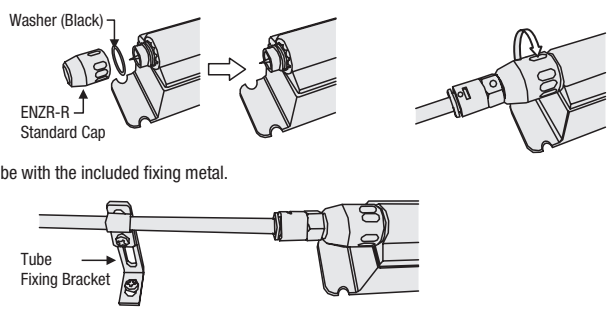
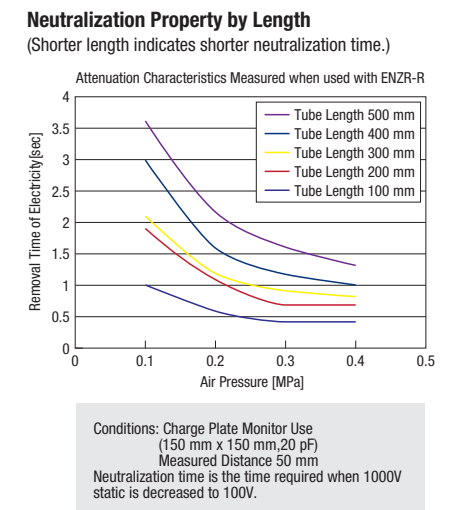
Ø6 One-Sided Band  
 L Shaped Metal

Material: Metal: 303 Stainless Steel


Part Number Example: **ENZR-T**

**How to Handle**

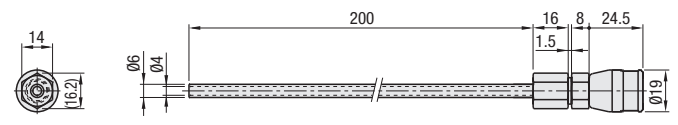
- Confirm that the main power is OFF, and remove the cable strain relief and the washer (black) from ENZR-R.
- Attach the cap with a tube to the body. Cut a tube by the arbitrary length for use.
- Fix the tube with the included fixing metal.

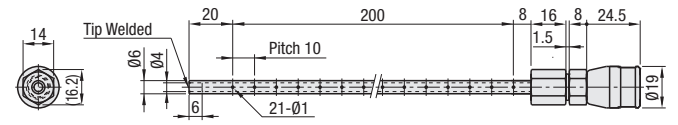
**Nozzle Attachments – Stainless Bar Type**



**ENZR-R1 (Pin Hole Type)**



**ENZR-R2 (Bar Type)**

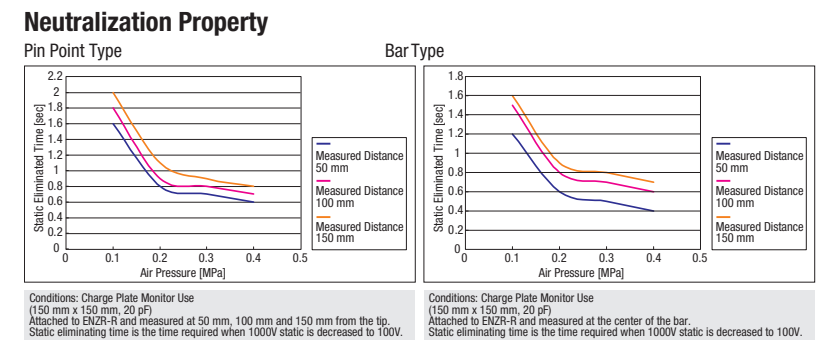


Material: Metal Part: 304 Stainless Steel Resin Part: ABS

Part Number Example: **ENZR-R1 - 200**

**Features**

- Tube Type can reach near the working area freely.
- Select R1 for pinpoint neutralization accuracy, R2 for neutralization in stripes.
- Nozzle attachments for Ionizer Blow Type.



Dampening & Sound Proofing / Protective Products / Antistatic Materials / Brushes