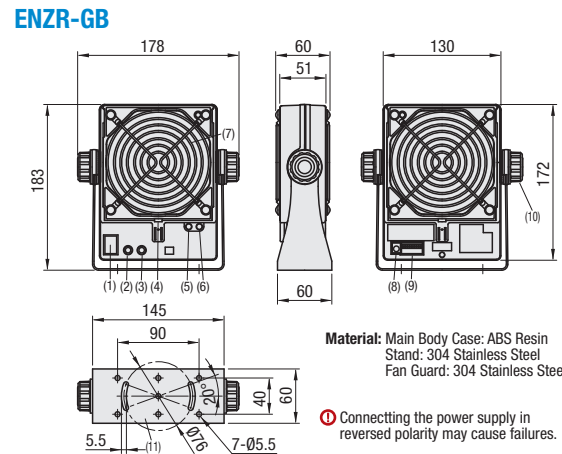


Ionizers

Medium Sized DC Fan Type / Fan Type Dedicated AC Adapter



- Ionizers – Medium Size DC Fan Type**
- Part Name
 (1) Power Switch
 (2) Error Indicator
 (3) Cleaning Lamp
 (4) Fan Guard Stopper
 (5) Air Volume Controller
 (6) Ion Balance Controller
 (7) Fan Guard
 (8) Power Connector (For AC Adapter)
 (9) Terminal Block
 (10) Angle Adjuster Knob
 (11) Stand



Material: Main Body Case: ABS Resin
 Stand: 304 Stainless Steel
 Fan Guard: 304 Stainless Steel

⚠ Connecting the power supply in reversed polarity may cause failures.
 ⚠ AC adaptors are not included. Please purchase optional ENZR-BAC.

Ionizer-Medium Size DC Fan Type ENZR-GB Specifications

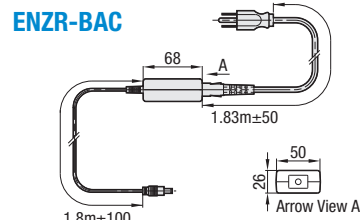
Ionizing Method	DC Corona Discharge
Discharge Electrode Pin	Tungsten
Fan Speed	Non-step Variable
Maximum Air Volume	3.68m ³ /min
Wind Velocity	1.3-4.6 m/Sec (Measured Distance 300 mm)
Alarm Display	Cleaning, Fan Error, Fan Guard Open, Shutdown by High Pressure
Terminal Block	DC24V Input, DC24V Output (Connectable in series up to 5 units) Cleaning Indicator (includes high pressure alarm), Buzzer Output (DC24V) Error indicator (includes fan guard open alarm), Earth
Ozone Generation Amount	0.02 ppm or Less
Environment	0-40°C, 80% RH or Less (However with no dew condensation)
Power Input	DC24V (Dedicated AC Adaptor or Terminal Block)
Consumption Current	550 mA
Mass	Approx. 900 g

Ionizers – Fan Type Dedicated AC Adapter



Material: Metal: 303 Stainless Steel
 Plastic Part: ABS Resin

ENZR-BAC



Input Voltage	AC100-240V 50/60 Hz
Output Voltage	DC24V
Volume	ENZR-B can drive up to two
Mass	Approx. 270 g



Part Number Example

Part Number
 ENZR-GB
 ENZR-BAC

Super High Speed Neutralization

0.6 second of super high speed neutralization is realized by eight electrode pins and large air volume.
 (On conditions below)

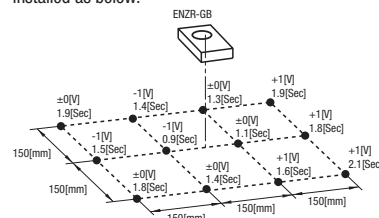
Neutralization Property Data by Wind Velocity

Wind Velocity	Neutralization Time
Max. 4.6 m/sec	0.6 sec
Min. 1.3 m/sec	1.8 sec

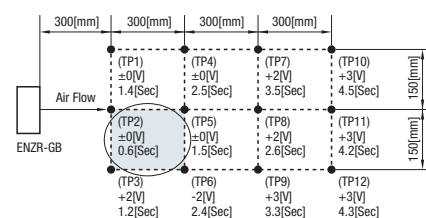
Measured Distance 300 mm

Wide Range of Neutralization Area

Covers the area equivalent to three pieces of IC tray when installed as below.



Ion Balance/Neutralization Property



Conditions: Charge Plate Monitor Use
 (150 mm x 150 mm, 20 pF)
 Top Ion Balance
 Bottom ±1000V±100V
 Air Volume Max.

Reduced Maintenance

Fan guard can be removed by one-touch sliding.
 Easy access to the electrode pin reduces maintenance processes.



Display Panel

Confirms the operating condition easily.
 Informs the content of the abnormal status instantly.



Ionizers

Compact DC Fan Type

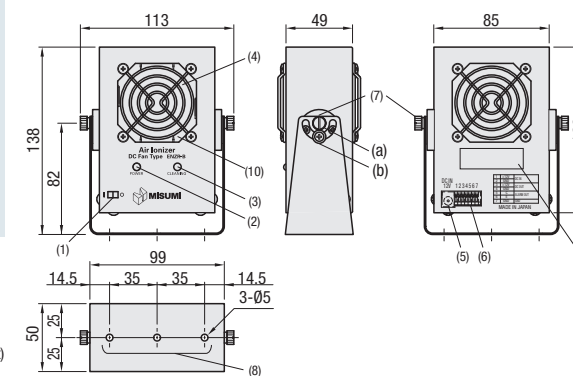
Direct-current fan-built-in ionizer. Air supply is not required.
 The extra small design makes it easy to mount the ionizer anywhere, such as on the table or in manufacturing equipment.

Ionizers – Compact DC Fan Type



- Part Name
 (1) Power Switch
 (2) Power Lamp
 (3) Cleaning Lamp
 (4) Ionizing Fan
 (5) Power Supply Connector (Input)
 (6) Terminal Block
 (7) Angle Adjuster Knob (temporary joint by a, fix by b)
 (8) Mounting Holes
 (9) PL Label
 (10) Electrode Pin

ENZR-B



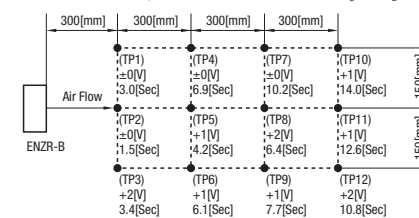
⚠ Connecting the power supply in reversed polarity may cause failures.

Ionizer-Compact DC Fan Type ENZR-B Specifications

Ionizing Method	DC Corona Discharge
Discharge Electrode Pin	Tungsten
Air Volume	0.65 m ³ /min
Wind Velocity	1.31 mm/Sec (Measured Distance 300 mm)
Alarm Output	Cleaning Indicator, Shutdown by High Pressure Red front panel LED lights
Terminal Block	DC24V Input, DC24V Output, Alarm Output, Grounding
Ozone Generation Amount	0.02 ppm or Less (Measured Distance 300 mm)
Environment	0-40°C, 80% RH or Less (However with no dew condensation)
Power Input	DC24V (Dedicated AC Adaptor or Terminal Block)
Consumption Current	220 mA
Mass	Approx. 510 g
Recommended Cable	Vinyl coated PVC Cable 0.5 mmS-0.75 mmS up to ten connected

Material:
 Main Body Case: 5052 Aluminum Alloy (Melanin Baking Finish)
 Stand: Low Carbon Steel (Melanin Baking Finish)
 Fan Guard: 304 Stainless Steel

Ion Balance, Neutralization Property



Conditions: Charge Plate Monitor Use
 (150 mm x 150 mm, 20 pF)
 Top Ion Balance
 Bottom ±1000V±100V
 Air Volume Max.



Part Number Example

Part Number
 ENZR-B

Features

- Prevents reverse charge. Single, high voltage transformer generates both positive and negative high voltages. Concerns for reverse charging possibility associated with a failed transformer with the conventional ionizers are eliminated.
- Ion balance is stabilized and electrical field shielding by the grounded fan guard assure safe neutralization operations in electronic components applications. A cleaning lamp that indicates the proper time for cleaning is equipped.