


# Antivibration Rubber Mounts

## Both Ends Threaded / Threaded & Plate Mount

The susceptibility to insulation has been solved by the high electroconductive rubber with volume resistivity value of  $10^3 \Omega \cdot \text{cm}$ . Slots on ends have long mounting holes for ease of attachment.

**Antivibration Rubber Mounts – Both Ends Threaded / Threaded & Plate Mount**

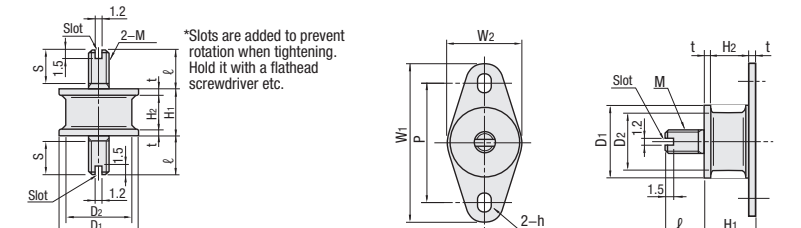


**Both Ends Threaded**

Type	Material		Hardness	Accessories
	Body	Metal Fitting		
DBGOMA	Conductive Nitrile Rubber	304 Stainless Steel	Shore A60	Nut, Spring Washer 2 pcs. each
EBGOMA	Chloroprene Rubber	304 Stainless Steel	Shore A60	Nut, Spring Washer 2 pcs. each

**Threaded & Plate Mount**

Type	Material		Hardness	Accessories
	Body	Metal Fitting		
DBGOMP	Conductive Nitrile Rubber	304 Stainless Steel	Shore A60	Nut, Spring Washer 1 Pc. Each
EBGOMP	Chloroprene Rubber	304 Stainless Steel	Shore A60	Nut, Spring Washer 1 Pc. Each



\*Slots are added to prevent rotation when tightening. Hold it with a flathead screwdriver etc.

Part Number Type	Nominal	D <sub>1</sub>	D <sub>2</sub>	H <sub>1</sub>	H <sub>2</sub>	t	ℓ	S	M (Coarse Thread)	W <sub>1</sub> x W <sub>2</sub>	h	P	Allowable Load N (kgf)	Working Load N (kgf)	Spring Constant N/mm (kgf/cm)	X Direction Allowable Load N (kgf)	Rigidity Ratio kx/kz
Both Ends Threaded DBGOMA EBGOMA	12160	12	10	16	12.0		13	11	5	—	—	—	110 {11}	30-78 {3-8}	41 {42}	25 {2.5}	0.2
	15150	15	12	15	11.0	2.0	12	12	5	—	—	—	160 {16}	59-130 {6-13}	74 {75}	34 {3.4}	0.2
	20150	20	15	20	16.0		16	13	6	49 x 20	6.5 x 8.5 Slotted Hole	36	280 {29}	98-191 {10-19}	130 {130}	69 {7}	0.15
	20200	20	15	20	16.0		16	13	6	49 x 20	6.5 x 8.5 Slotted Hole	36	180 {18}	59-98 {6-10}	78 {80}	49 {5}	0.19
Threaded & Plate Mount DBGOMP EBGOMP	25180	25	20	18	13.4		20	16	6	56 x 25	9 x 11 Slotted Hole	42	490 {50}	112-250 {11-25}	200 {200}	98 {10}	0.16
	30180	30	25	18	13.4	2.3	23	20	8	62 x 30	9 x 11 Slotted Hole	48	890 {91}	226-450 {23-46}	310 {310}	170 {17}	0.16
	40250	40	34	25	20.4		33	25	8	76 x 40	9 x 11 Slotted Hole	60	1810 {185}	196-930 {20-95}	340 {340}	360 {37}	0.17
		40250	40	34	25	20.4		33	25	8	76 x 40	9 x 11 Slotted Hole	60	1810 {185}	196-930 {20-95}	340 {340}	360 {37}

① Selection Methods, Mounting Methods, Properties, Cautions P.2638 ② No. 12160, No. 15150 not available for DBGOMP and EBGOMP.

**Part Number Example**

Part Number	DBGOMA15150
-------------	-------------

### Features

#### DBGOMA, DBGOMP, DBGONA, DBGONP

– Susceptibility to insulation has been solved by the high electroconductive rubber with volume resistivity value of  $10^3 \Omega \cdot \text{cm}$ .

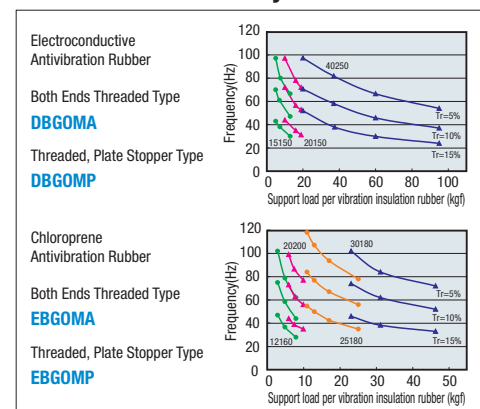
#### EBGOMA, EBGOMP, EBGONA, EBGONP

– Product made of chloroprene rubber with high quality.

#### Common

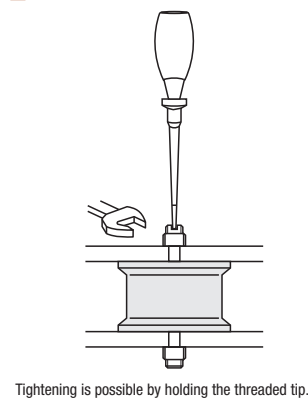
– Mounting studs are made of 304 Stainless Steel, and the tips are slotted. Mounting holes on flanges are also slotted for ease of mounting.

### Vibration Transmissibility Data



① Values in the graph are nominal for each type. ② The above values are not guaranteed values but an example of measured values.

### Application Example

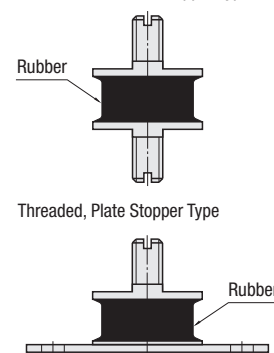


### Electroconductive Rubber Characteristics

Item	Unit	Value
Specific Gravity	—	1.31
Hardness	Shore A	60
Elongation	%	545
Tensile Strength	MPa	11.8
Specific Volume Resistivity	$\Omega \cdot \text{cm}$	$8 \times 10^3$

① Measuring Method: JIS K 6301 ② The above values are an example of measured values and are not guaranteed.

### Section View Both Ends Threaded Stopper Type




# Antivibration Rubber Mounts

## Tapped, Threaded Stopper / Tapped, Plate Stopper Type

The susceptibility to insulation has been solved by the high electroconductive rubber with volume resistivity value of  $10^3 \Omega \cdot \text{cm}$ . Slots on ends and long mounting holes for ease of attachment.

**Antivibration Rubber Mounts – Tapped, Threaded Stopper / Tapped, Plate Stopper Type**

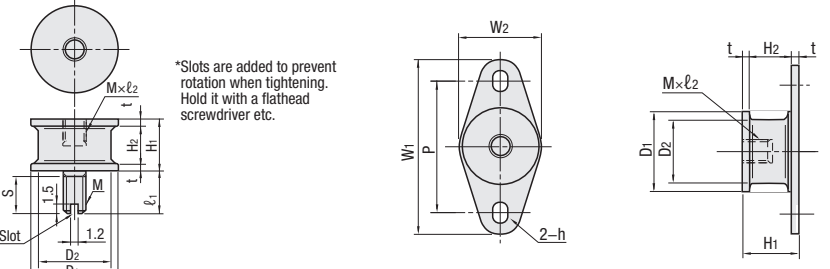


**Tapped, Threaded Stopper Type**

Type	Material		Hardness	Accessories
	Body	Metal Fitting		
DBGONA	Conductive Nitrile Rubber	304 Stainless Steel	Shore A60	Nut, Spring Washer 1 Pc. Each
EBGONA	Chloroprene Rubber	304 Stainless Steel	Shore A60	Nut, Spring Washer 1 Pc. Each

**Tapped, Plate Stopper Type**

Type	Material		Hardness
	Body	Metal Fitting	
DBGONP	Conductive Nitrile Rubber	304 Stainless Steel	Shore A60
EBGONP	Chloroprene Rubber	304 Stainless Steel	Shore A60



\*Slots are added to prevent rotation when tightening. Hold it with a flathead screwdriver etc.

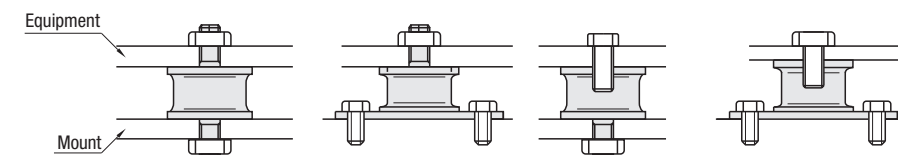
Part Number Type	Nominal	D <sub>1</sub>	D <sub>2</sub>	H <sub>1</sub>	H <sub>2</sub>	t	ℓ <sub>1</sub>	S	M (Coarse Thread)	ℓ <sub>2</sub>	W <sub>1</sub> x W <sub>2</sub>	h	P	Allowable Load N (kgf)	Standard Load N (kgf)	Spring Constant N/mm (kgf/cm)	X Direction Allowable Load N (kgf)	Rigidity Ratio kx/kz
Tapped, Threaded DBGONA EBGONA	12160	12	10	16	12.0		13	11	5	4.5	—	—	—	110 {11}	30-78 {3-8}	62 {63}	25 {2.5}	0.2
	15150	15	12	15	11.0	2.0	12	12	5	4.5	—	—	—	160 {16}	59-130 {6-13}	110 {110}	34 {3.5}	0.24
	20150	20	15	20	16.0		16	13	6	5	49 x 20	6.5 x 8.5 Slotted Hole	36	280 {29}	98-160 {10-16}	180 {180}	69 {7}	0.18
	20200	20	15	20	16.0		16	13	6	5	49 x 20	6.5 x 8.5 Slotted Hole	36	180 {18}	59-98 {6-10}	88 {90}	49 {5}	0.22
Tapped, Plate DBGONP EBGONP	25180	25	20	18	13.4		20	16	6	56 x 25	9 x 11 Slotted Hole	42	580 {59}	147-280 {15-29}	220 {220}	98 {10}	0.19	
	30180	30	25	18	13.4	2.3	23	20	8	62 x 30	9 x 11 Slotted Hole	48	1700 {170}	415-830 {43-85}	610 {620}	250 {25}	0.16	
	40250	40	34	25	20.4		33	25	8	7.2	76 x 40	9 x 11 Slotted Hole	60	1420 {145}	363-700 {37-71}	340 {350}	340 {35}	0.23
		40250	40	34	25	20.4		33	25	8	7.2	76 x 40	9 x 11 Slotted Hole	60	1420 {145}	363-700 {37-71}	340 {350}	340 {35}

① No. 12160, No. 15150 not available for DBGONP and EBGONP.

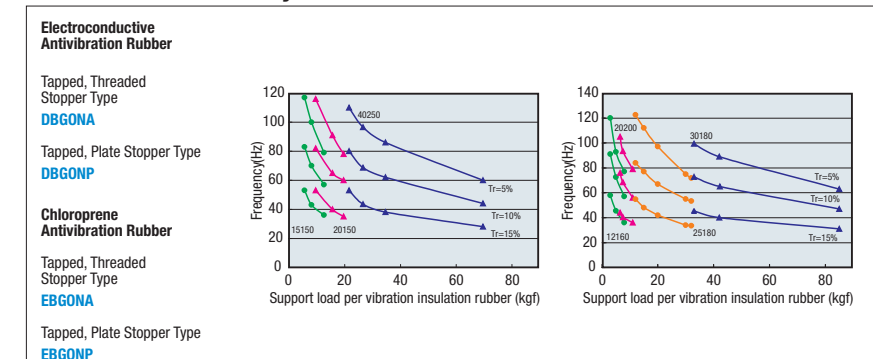
**Part Number Example**

Part Number	DBGONA15150
-------------	-------------

### Application Example



### Vibration Transmissibility Data



① Values in the graph are nominal for each type. ② The above values are not guaranteed values but an example of measured values.

### Section View

