


Wing Screws & Nuts / Button Head Cap Screws / Hex Wrenches / Thumb Screws

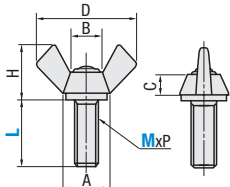
Wing Screws & Nuts



RoHS 10

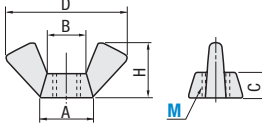
Wing Screws

Type	Material	Surface Treatment
CHOB	SS Cold Forging	Trivalent Chromate
CHBS	304 Stainless Steel or Equivalent	—



Wing Nut

Type	Material	Surface Treatment
CHON	SS Cold Forging	Trivalent Chromate
CHNS	304 Stainless Steel or Equivalent	—



Wing Screws


Part Number	Type	M - L
CHOB CHBS Stainless Steel	3 - 6	8
		10
		12
		15
	4 - 8	10
		12
		15
		20
	6 - 10	12
		15
		20
		30

Wing Nuts

Part Number	Type	M
CHON Stainless Steel	3	4
		5
		6
		8
	5	6
		8
		10
		12
	6	8
		10
		12
		15

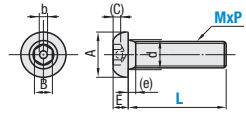
MxP	A (Min.)	(B)	C (Min.)	D	H
3x0.5	6.5	4	3	17	9
4x0.7	8	6	4	21	11
5x0.8	8	6	4	21	11
6x1.0	10	7	4.5	27	13
8x1.25	13	10	6	31	16
10x1.5	16	12	7.5	36	18

Button Head Cap Screws – Tamper Proof



RoHS 10

IBNP




Material: 304 Stainless Steel or Equivalent

M x P (Coarse)	A	E	B	b	(C) (Min.)	d (Max.)	(e) (Max.)
3 x 0.5	5.7	1.65	2	1.0	1.04	3.6	1
4 x 0.7	7.6	2.2	2.5	1.1	1.3	4.7	1.4
5 x 0.8	9.5	2.75	3	1.3	1.56	5.7	1.6
6 x 1.0	10.5	3.3	4	1.6	2.08	6.8	2
8 x 1.25	14	4.4	5	2	2.6	9.2	2.5

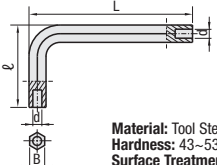
Part Number	Type	M - L
IBNP	3 - 6	8
		10
		12
		16
	4 - 8	10
		12
		16
		20
	5 - 10	12
		16
		20
		25

Hex Wrenches



RoHS 10


IBKPL



Material: Tool Steel Alloy
Hardness: 43-53 HRC min.
Surface Treatment: Trivalent Chromate Plating

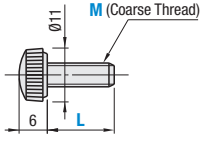
Part Number	Type	No.	Applicable Screws	L	ℓ	d	B
IBKPL	3	4	M3	52	16	1.2	2
		5	M4	58.5	20.5	1.3	2.5
		6	M5	66	23	1.5	3
		8	M6	74	29	1.8	4

Thumb Screws – Plastic Head



RoHS 10

CRKW White CRKB Black CRKR Red



Material: Knurled Head PC (Polycarbonate)
Thread 302HQ Stainless Steel


Part Number	Type	M - L
CRKW White CRKB Black CRKR Red	3 - 6	8
		10
		12
		15
	4 - 6	8
		10
		12
		15

Usable as screws for cover attachment.

Part Number Example: CHOB6-12, CHON4, IBNP3-6, IBKPL3, CRKW3-6

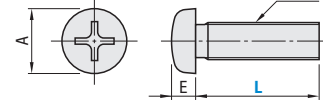
Phillips Pan Head Screws / Flat Head Machine Screws

Phillips Pan Head Screws



RoHS 10

BKJ Trivalent Chromate NKJ Stainless Steel




Type	Material	Surface Treatment
BKJ	SWCH Carbon Steel Equivalent	Trivalent Chromate
NKJ	304 Stainless Steel	—

M x P (Coarse)	A	E	Phillips Number
2 x 0.4	3.5	1.3	1
2.5 x 0.45	4.5	1.7	
2.6 x 0.45	4.5	1.7	
3 x 0.5	5.5	2	2
4 x 0.7	7	2.6	
5 x 0.8	9	3.3	
6 x 1.0	10.5	3.9	3

Part Number Example: NKJ3-6

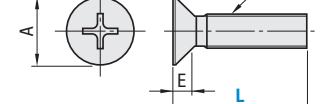
Part Number	Type	M - L
BKJ	2 - 2	3
		4
		5
		6
	3 - 3	4
		5
		6
		8
	4 - 4	5
		6
		8
		10
NKJ	2.5 - 3	4
		5
		6
		8
	2.6 - 3	4
		5
		6
		8
	3 - 3	4
		5
		6
		8
4 - 4	5	
	6	
	8	
	10	
5 - 6	6 - 10	12
		15
		15
		20
	6 - 10	12
		15
		15
		20

Phillips Flat Head Machine Screws



RoHS 10

BFBJ Trivalent Chromate SFBJ Stainless Steel



Type	Material	Surface Treatment
BFBJ	SWCH Carbon Steel Equivalent	Trivalent Chromate
SFBJ	304 Stainless Steel or Equivalent	—

M x P (Coarse)	A	E	Phillips Number
2 x 0.4	4	1.2	1
2.5 x 0.45	5	1.45	
2.6 x 0.45	5.2	1.5	
3 x 0.5	6	1.75	2
4 x 0.7	8	2.3	
5 x 0.8	10	2.8	
6 x 1.0	12	3.4	3

Part Number Example: SFBJ4-10

Part Number	Type	M - L
BFBJ	2 - 3	4
		5
		6
		8
	3 - 4	5
		6
		8
		10
	4 - 5	6
		8
		10
		12
SFBJ	2.6 - 3	4
		5
		6
		8
	3 - 4	5
		6
		8
		10
	4 - 5	6
		8
		10
		12
5 - 6	6 - 8	10
		12
		15
		20
	6 - 8	10
		12
		15
		20