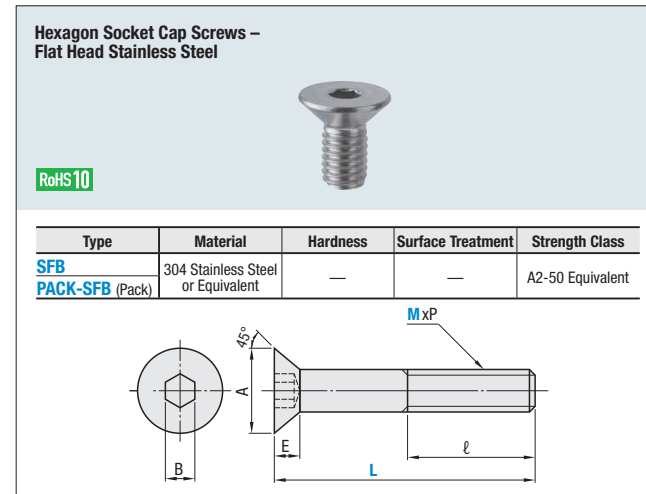


# Hexagon Socket Cap Screws

## Flat Head Stainless Steel



RoHS 10

Type	Material	Hardness	Surface Treatment	Strength Class
SFB	304 Stainless Steel or Equivalent	—	—	A2-50 Equivalent
PACK-SFB (Pack)				

M x P (Coarse)	A		E (Max.)	B (Nominal)
	Min.	Max.		
2 x 0.4	3.7	4.0	1.2	1.3
2.5 x 0.45	4.7	5.0	1.5	1.5
3 x 0.5	5.54	6.72	1.86	2.0
4 x 0.7	7.53	8.96	2.48	2.5
5 x 0.8	9.43	11.2	3.1	3.0
6 x 1.0	11.34	13.44	3.72	4.0
8 x 1.25	15.24	17.92	4.96	5.0
10 x 1.5	19.22	22.4	6.2	6.0

### SFB Stainless Steel

Type	Part Number		ℓ	
	M - L			
SFB	3 - 5	6	Fully Threaded Screws	
		8		
		10		
		12		
		15		
	4 - 8	20		
		25		
		30		
		10 - 15		Fully Threaded Screws
		20		
	25			
	30			
	5 - 8	10		
		12		
		15		
20				
25				
6 - 10	12	Fully Threaded Screws		
	15			
	20			
	25			
	30			
8 - 12	15		Fully Threaded Screws	
	20			
	25			
	30			
	10 - 15			Fully Threaded Screws
20				
25				
30				

### PACK-SFB Pack

Type	Part Number		ℓ	Pcs/Pack				
	M - L							
PACK-SFB	2 - 4	5	Fully Threaded Screws	100				
		6						
		8						
	2.5 - 5	6						
		8						
		10						
		12						
		15						
		20						
	3 - 5	6						
		8						
		10						
		12						
		15						
		20						
4 - 6	8	Fully Threaded Screws	100					
	10							
	12							
	15							
	20							
	25							
5 - 8	10			Fully Threaded Screws	100			
	12							
	15							
	20							
	25							
	30							
6 - 10	12					Fully Threaded Screws	100	
	15							
	20							
	25							
	30							
	8 - 12	15	Fully Threaded Screws					50
20								
25								
30								
10 - 15		20		Fully Threaded Screws	20			
		25						
	30							

When placing an order, please specify number of packages.

\* The strength class signifies the screw's tensile strength.  
 (Ex.) A2 - 50  
 — This indicates that the minimum value of tensile strength is 500 N/mm<sup>2</sup>.  
 — The steel class is A2 (Austenitic Stainless Steel)

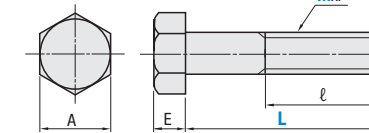
Part Number Example  
 SFB3-5  
 PACK-SFB2-6

# Hexagon Screws



RoHS 10

Type	Material	Hardness	Surface Treatment	Strength Class
RCB	4137 Alloy Steel	32-39 HRC min.	Black Oxide	10.9
RSCB	304 Stainless Steel	—	—	A2-50



### RCB Black Oxide

Type	Part Number		ℓ		
	M - L				
RCB	4 - 8	10	Fully Threaded Screws		
		12			
		15			
		20			
		25			
	5 - 8	10		Fully Threaded Screws	
		12			
		15			
		20			
		25			
	6 - 10	12			Fully Threaded Screws
		15			
		20			
		25			
		30			
8 - 10	12	15	Fully Threaded Screws		
		20			
		25			
		30			
		35			
	10 - 15	12		Fully Threaded Screws	
		15			
		20			
		25			
		30			

### RSCB Stainless Steel

Type	Part Number		ℓ		
	M - L				
RSCB	4 - 8	10	Fully Threaded Screws		
		12			
		15			
		20			
		25			
	5 - 8	10		Fully Threaded Screws	
		12			
		15			
		20			
		25			
	6 - 10	12			Fully Threaded Screws
		15			
		20			
		25			
		30			
8 - 10	12	15	Fully Threaded Screws		
		20			
		25			
		30			
		35			
	10 - 15	12		Fully Threaded Screws	
		15			
		20			
		25			
		30			

Part Number Example  
 RSCB12-100

M x P	A	E
4 x 0.7	7.0	2.8
5 x 0.8	8.0	3.5
6 x 1.0	10	4.0
8 x 1.25	13	5.5
10 x 1.5	17	7.0
12 x 1.75	19	8.0
16 x 2.0	24	10

Type	Part Number		ℓ		
	M - L				
RSCB	8 - 60	65	Fully Threaded Screws		
		70			
		75			
		80			
		90			
	10 - 15	20		Fully Threaded Screws	
		25			
		30			
		35			
		40			
	12 - 20	25			Fully Threaded Screws
		30			
		35			
		40			
		45			
16 - 30	35	40	Fully Threaded Screws		
		45			
		50			
		55			
		60			
	10 - 15	20		Fully Threaded Screws	
		25			
		30			
		35			
		40			

\* The strength class signifies the screw's tensile strength.  
 (Ex.) 10.9  
 — This indicates that the minimum value for yielding point or proof stress is 90% of tensile strength.  
 — This indicates that the minimum value of tensile strength is 1040 N/mm<sup>2</sup>.