


Welded Steel Stands

Shaped Steel Type

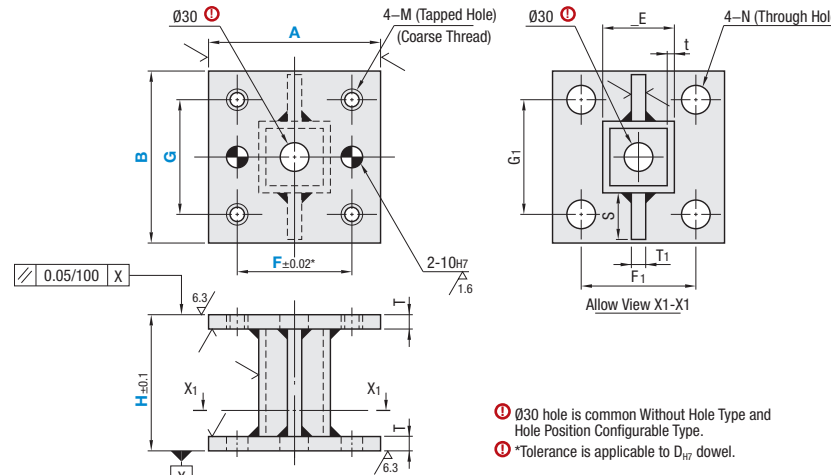
Welded Steel Stands – Shaped Steel Type



RoHS10

Type		Material	Surface Treatment
No Hole Type	Hole Position Specified Type		
YSSTC	YSCT	1018 Carbon Steel or Equivalent	—
YSSTB	YSST		Black Oxide
YSSTM	YSMT		Electroless Nickel Plating
—	YSFT	304 Stainless Steel	—

√((6.3/1.6/))



⊕ Ø30 hole is common Without Hole Type and Hole Position Configurable Type.
⊕ *Tolerance is applicable to D_{H7} dowel.

Without Hole

Part Number		B	H Selection	T	T ₁	E	t	S		
Type	A									
YSSTC YSSTB YSSTM	100	100	100 150 200 250 300	10	9	50	3.2	22		
		120						32		
		150						44		
	125	120						75	4.5	19
	150	150						100	32	
200	200	140	44							

Hole Position Specified Type

Part Number		B	H Selection	1 mm Increment		T	T ₁	E	t	S	F ₁	G ₁	M	N	
Type	A			G	F										
YSCT YSST YSMT YSFT	100	100	100 150 200 250 300	30-80	70-80	10	9	50	3.2	22	80	80	M10	11	
		120		32						100					
		150		44						130					
	125	120		75	4.5					19		100			100
	150	150		100	32					120		120			
200	200	140	44	160	160	M12	14								

Part Number Example

Part Number - B - H - G - E


YSSTB100 - B150 - H300

YSST150 - B150 - H200 - G100 - F95

Part Number Alterations

Part Number - B - H - G - F - (HKC)


YSST150 - B150 - H200 - G100 - F95 - HKC

Alteration	Code	Spec.
	HKC	Changes the tolerance of dimension H to H±0.05. Ordering Code: HKC

Welded Steel Stands

Shaped Steel Height Specified

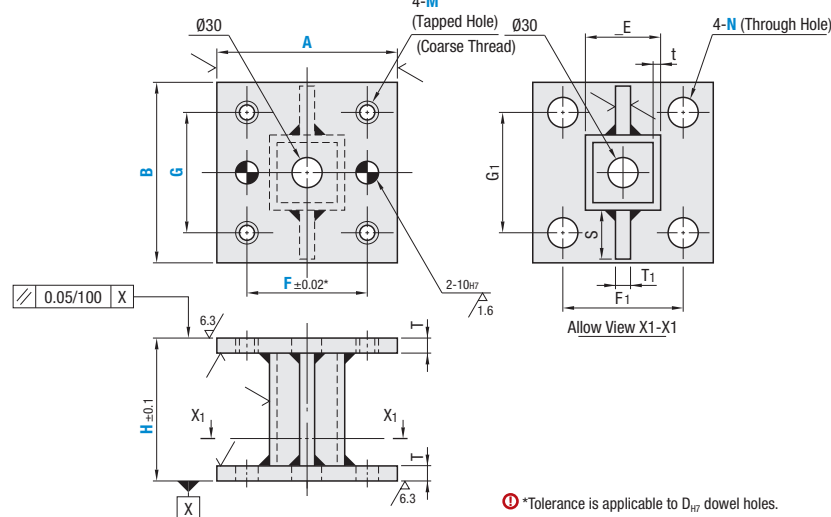
Welded Steel Stands – Shaped Steel Height Specified



RoHS10

Type	Material	Surface Treatment
YSCFT	1018 Carbon Steel or Equivalent	—
YSSFT		Black Oxide
YSMFT		Electroless Nickel Plating

√((6.3/1.6/))



⊕ *Tolerance is applicable to D_{H7} dowel holes.

Part Number		B	1 mm Increment			Selection		T	T ₁	E	t	S	F ₁	G ₁	
Type	A		H	G	F	M Tapped Hole	N Through Hole								
YSCFT YSSFT YSMFT	100	100	100-300	30-80	70-80	8 10 12	9 11 14	10	9	50	3.2	22	80		
		120		32								80		100	
		150		44								130			
	125	120		75	4.5							19		100	100
	150	150		100	32							120		120	
200	200	140	44	160	160										

Part Number Example


Part Number - B - H - G - F - M - N

YSCFT100 - B150 - H251 - G80 - F74 - M8 - N11

Part Number Alterations

Part Number - B - H - G - F - M - N - (HKC)

YSCFT100 - B150 - H251 - G80 - F74 - M8 - N11 - HKC

Alteration	Code	Spec.
	HKC	Changes the tolerance of dimension H to H±0.05. Ordering Code: HKC