

# Post Clamps

## Anti-Rotation Parallel Taps

Features: Z direction is adjustable while preventing the rotating direction movements such as camera mounting.

### Post Clamps – Anti-Rotation Parallel Taps

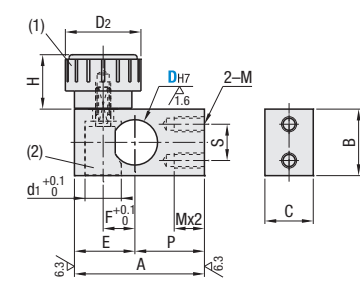


RoHS 10

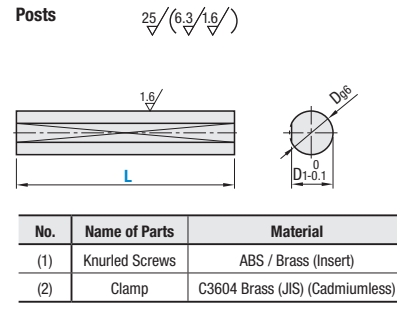
Type		Posts		Strut Clamp	
Set	Post Clamp Only Option	Material	Surface Treatment	Material	Surface Treatment
KBYKS	KBYK	1045 Carbon Steel or Equivalent	Electroless Nickel Plating	1018 Carbon Steel or Equivalent	Black Oxide
KBYMS	KBYM	1045 Carbon Steel or Equivalent	Electroless Nickel Plating	1018 Carbon Steel or Equivalent	Electroless Nickel Plating
KBYSS	KBYS	304 Stainless Steel	—	304 Stainless Steel	—

Ⓢ A set includes 1 pc. of clamp and 1 pc. of post. Ⓢ Use the Post Clamp on this page with the post included in the set.

### Post Clamps



### Posts



Part Number		D	L	D <sub>1</sub>	A	B	C	S	M	P	E	F	d <sub>1</sub>	H	D <sub>2</sub>
Set	Post Clamp Only														
KBYKS	KBYK	10	100 (D≦20)	9	35	19	12	10	M5	20	15	7.5	10	18	25
KBYMS	KBYM	12	150 (D≦20)	11	36						16	8.5			
KBYSS	KBYS	15	200 (12≦D)	14	45	*22 (25)					20	10.5			
		20	250 (12≦D)	19	47	25	16	12	M6	30	22	13	12	18	32
		25	300 (12≦D)	23.5	55	32					25	15			

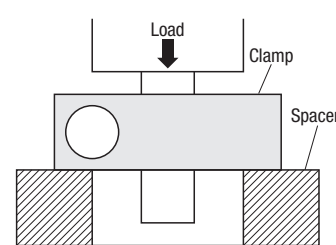
\*When D direction of KBYS (304 Stainless Steel) is 15, B=25.

Part Number Example

Part Number	-	P
KBYMS15	-	250
KBYK20	-	

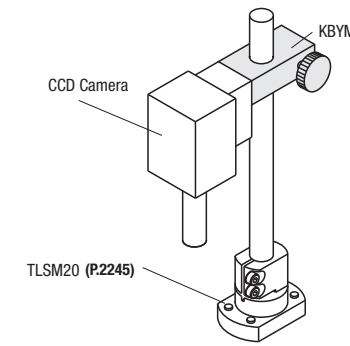
Reference Data on Retaining Force Measured values for D=15 as shown below.  
 For 1018 Carbon Steel or Equivalent: 580 N  
 For 304 Stainless Steel: 530 N  
 \*The above are test values and not guaranteed.

### Measuring Method for Retention Force



\* Standard Tightening Torque 0.5 series (N·m)  
 When D10, 12 and 15: 1.5  
 When D20 and 25: 2.6

### Application Example



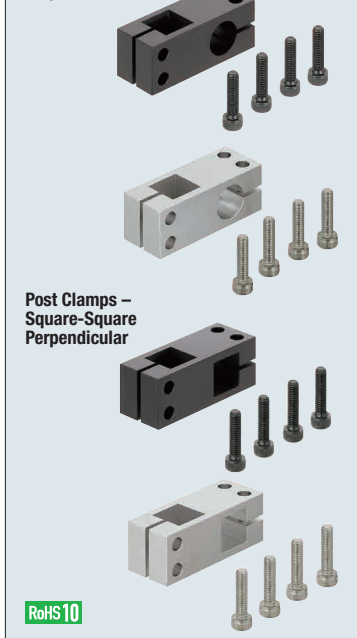
D	Available Types														
	KBYKS				KBYMS				KBYSS						
	L100	L150	L200	L250	L300	L100	L150	L200	L250	L300	L100	L150	L200	L250	L300
10	•	•	•	•	•	•	•	•	•	•	•	•	•	•	•
12	•	•	•	•	•	•	•	•	•	•	•	•	•	•	•
15	•	•	•	•	•	•	•	•	•	•	•	•	•	•	•
20	•	•	•	•	•	•	•	•	•	•	•	•	•	•	•
25	—	—	•	•	•	—	—	•	•	•	—	—	•	•	•

# Post Clamps

## Square-Round Perpendicular / Square-Square Perpendicular

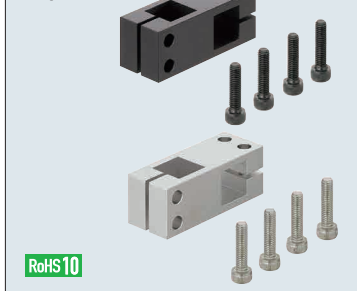
Features: Post clamps that height adjusts while preventing rotations by combining with Square tubes (P.2232) and Stand Brackets (P.2252). Ⓢ For tubes/pipes and rods to use in sets, see P.2232.

### Post Clamps – Square-Round Perpendicular



RoHS 10

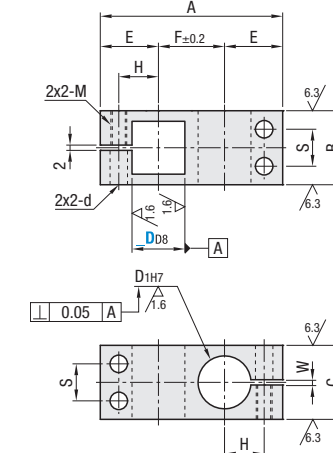
### Post Clamps – Square-Square Perpendicular



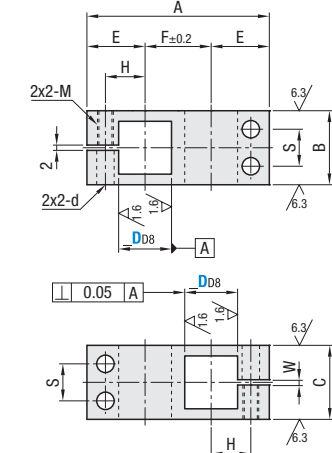
Type		Material	Surface Treatment	Accessories
Square – Round Perpendicular	Square – Square Perpendicular			
BLQD	BLQQD	1045 Carbon Steel or Equivalent	Black Oxide	Hex Socket Head Cap Screws
NLQD	NLQQD		Electroless Nickel Plating	
ALQD	ALQQD	6063 Aluminum Alloy	Black Anodize	
HLQD	HLQQD		Clear Anodize	
SLQD	SLQQD	304 Stainless Steel	—	

Ⓢ Accessories: CB screws (P.2378) and SCB screws (P.2379) are included with Black Oxide / Black Anodize and the other types.

### Square – Round Perpendicular



### Square – Square Perpendicular



Ⓢ For D=10 and 12, Dimension S=0, only one screw for tightening.

Part Number		D <sub>08</sub>	D <sub>17</sub>	A	B	C	E	F	H	S	M (Coarse)	d
Type												
Square – Round Perpendicular	Square – Square Perpendicular	10	10	+0.015 0	45	16	16	15	15	9	M5	5.5
BLQD	BLQQD	12	12	+0.077 +0.050	49	16	16	16	17	10		
NLQD	NLQQD	15	15	+0.018 0	57	22	22	18	21	11		
ALQD	ALQQD	20	20	+0.098 +0.065	69	28	28	22	25	14	M6	6.6
HLQD	HLQQD	25	25	+0.021 0	83	32	32	25	33	16		

Ⓢ The tolerance of D<sub>08</sub> and D<sub>17</sub>, and squareness are the tolerances before slitting.  
 Ⓢ Recommended D<sub>08</sub> tolerance of fitting shafts and D<sub>17</sub> tolerance of fitting shafts are 0–-0.12 and g6 and g8 respectively. Tightening with a long wrench is recommended.

Part Number Example

Part Number	
ALQD20	
SLQQD10	

### Application Example

