

# Post Clamps

## Equal & Unequal Diameter Perpendicular Configuration Split

Features: Post-assembly mounting onto posts for stands in structures.

Post Clamps – Separate / Equal Dia. Perpendicular Configuration



Post Clamps – Separate / Unequal Dia. Perpendicular Configuration

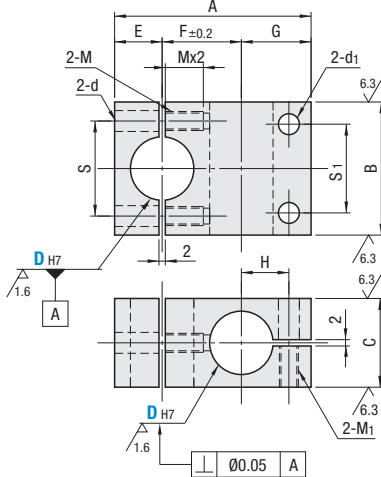


Type		Material	Surface Treatment	Accessories
Equal Dia. Perpendicular Configuration	Unequal Dia. Perpendicular Configuration			
<b>KSBC</b>	<b>KSLC</b>	1018 Carbon Steel or Equivalent	Black Oxide	Hex Socket Head Cap Screws
<b>MSBC</b>	<b>MSLC</b>		Electroless Nickel Plating	Hex Socket Head Cap Screws (Stainless Steel)
<b>ASBC</b>	<b>ASLC</b>	6063 Aluminum Alloy	Black Anodize	Hex Socket Head Cap Screws
<b>SSBC</b>	<b>SSLC</b>	304 Stainless Steel	—	Hex Socket Head Cap Screws (Stainless Steel)

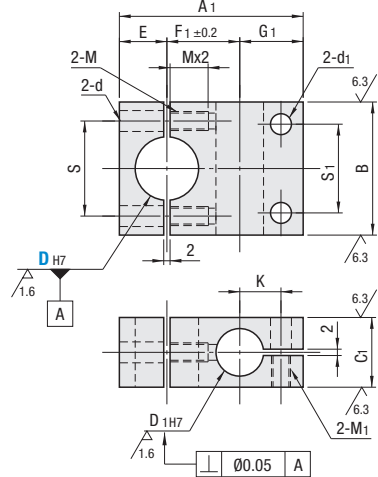
ⓘ CB screws are included with the black oxide and black anodizing, and SCB screws are included with the other products.

6.3 / (6.3/1.6/)

Equal Dia. Perpendicular Configuration

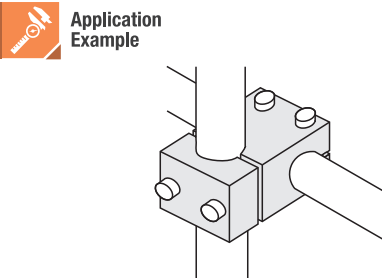


Unequal Dia. Perpendicular Configuration



Part Number		A	A <sub>1</sub>	B	C	C <sub>1</sub>	D <sub>H7</sub>	E	F	F <sub>1</sub>	G	G <sub>1</sub>	H	K	S	d	M (Coarse)	S <sub>1</sub>	d <sub>1</sub>	M <sub>1</sub> (Coarse)
Equal Dia. Perpendicular Configuration	<b>8</b>	+0.015 0	34	—	25	12	—	—	13	—	13	—	8	—	16	—	M4	15	4.5	M4
	<b>10</b>	—	37	35	—	16	8	8	15	14	14	13	9	8	17	4.5	M4	16	—	M5
	<b>12</b>	+0.018 0	42	41	28	—	16	+0.015 0	10	17	16	15	10	9	20	—	M5	18	5.5	M5
	<b>15</b>	—	51	45	32	22	18	10	12	21	18	18	15	12	23	5.5	M5	22	—	M5
Unequal Dia. Perpendicular Configuration (D <sub>1</sub> ≥ 10)	<b>20</b>	+0.021 0	62	58	40	28	22	15	+0.018 0	15	25	23	22	20	29	6.6	M6	28	—	M6
	<b>25</b>	—	76	66	45	32	25	15	+0.018 0	18	33	28	25	18	34	—	M6	30	—	M6
	<b>30</b>	+0.021 0	89	79	60	40	30	20	+0.021 0	23	37	32	29	24	44	9	M8	40	—	M8
	<b>35</b>	+0.025 0	101	92	65	45	35	25	+0.021 0	26	43	39	32	27	50	—	M8	45	—	M8

Part Number Example: **KSBC15**, **MSLC30**



Part Number Alterations: **ASBC15** - ALW, **ASLC** - ALW

Alterations	Code	Spec.
Clear Anodize	<b>ALW</b>	Changes the black anodize of ASBC and ASLC to clear anodize. ⓘ Applicable to ASBC and ASLC. ⓘ Stainless steel screws are included.

D	Included Screws
<b>8</b>	M4-15, 2 pcs. / M4-10, 2 pcs.
<b>10</b>	M4-15, 2 pcs. / M5-15, 2 pcs.
<b>12</b>	M4-18, 2 pcs. / M5-15, 2 pcs.
<b>15</b>	M5-20, 2 pcs. / M5-20, 2 pcs.
<b>20</b>	M6-25, 2 pcs. / M6-25, 2 pcs.
<b>25</b>	M6-30, 2 pcs. / M6-25, 2 pcs.
<b>30</b>	M8-35, 2 pcs. / M8-35, 2 pcs.
<b>35</b>	M8-40, 2 pcs. / M8-40, 2 pcs.

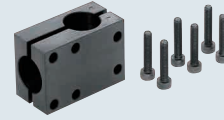
ⓘ D<sub>1</sub> side screws included with Unequal Dia. Perpendicular Configuration Type are shorter than listed above.

D	Available Types							
	Equal Dia., Perpendicular Configuration				Unequal Dia., Perpendicular Configuration			
	KSBC	MSBC	ASBC	SSBC	KSLC	MSLC	ASLC	SSLC
<b>8</b>	•	•	•	•	—	—	—	—
<b>10</b>	•	•	•	•	•	•	•	•
<b>12</b>	•	•	•	•	•	•	•	•
<b>15</b>	•	•	•	•	•	•	•	•
<b>20</b>	•	•	•	•	•	•	•	•
<b>25</b>	•	•	•	•	•	•	•	•
<b>30</b>	•	•	•	•	•	•	•	•
<b>35</b>	•	•	—	—	•	•	•	•

# Post Clamps

## Equal Diameter T-Shaped Perpendicular Configuration Split

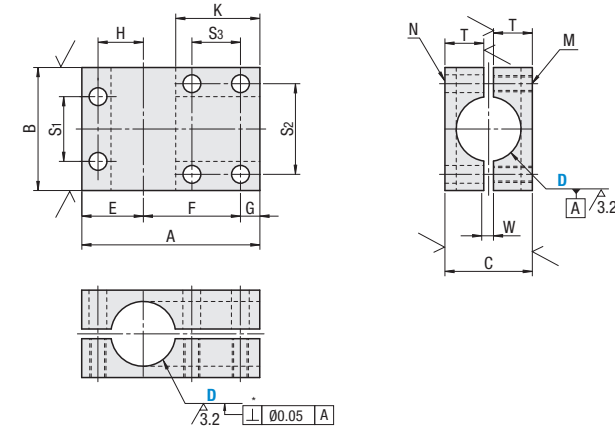
Post Clamps – Equal Dia. T-Shaped Perpendicular Separate Configuration



RoHS10

Type	Material	Surface Treatment	Accessories
<b>KLTTs</b>	1018 Carbon Steel or Equivalent	Black Oxide	Hex Socket Head Cap Screws
<b>MLTTs</b>		Electroless Nickel Plating	
<b>ALTTs</b>	6063 Aluminum Alloy	Black Anodize	
<b>SLTTs</b>	304 Stainless Steel	—	

6.3 / (6.3/3.2/)

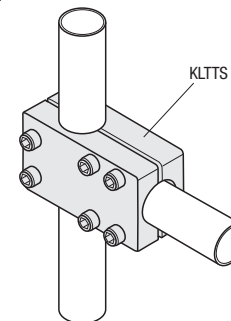


Part Number		A	B	C	E	F	G	H	K	M (Coarse)	N	S <sub>1</sub>	S <sub>2</sub>	S <sub>3</sub>	T	W
<b>KLTTs</b> <b>MLTTs</b> <b>ALTTs</b> <b>SLTTs</b>	<b>10</b>	35	25	17	14	13	8	9	16	M5	5.5	15	16.5	—	8	1
	<b>12</b>	40	32	19	15	16	9	10	19			16	20	9		
	<b>15</b>	50	—	22	16	28	6	11	26.5			18	22	15	10	2
	<b>20</b>	55	38	27	19	30		14	26			20	28	12	—	
	<b>25</b>	65	44	35	22	37		17	30.5			22	34	18	16	3
	<b>30</b>	75	50	41	25	44		20	35			26	40	20	19	—

- ⓘ The perpendicularity is the tolerance before slitting.
- ⓘ For mating, g<sub>6</sub>, f<sub>6</sub> shaft tolerances are recommended. Use of a long wrench is recommended for fastening.
- ⓘ D dimension 30 is not available for ALTTs. SLTTs is only available from 10-20.

Part Number Example: **KLTTs15**

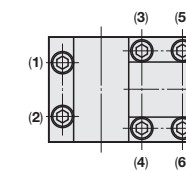
Application Example



ⓘ Example

Temporary tighten the screws in order of (1) to (6) before final tightening.

(If the shaft on one side is fully tightened first, tightening the other shaft may become difficult.)



Included Screws

D	KLTTs ALTTs	MLTTs SLTTs
<b>10</b>	CB5-16, 4 pcs.	SCB5-16, 4 pcs.
<b>12</b>	CB5-18, 4 pcs.	SCB5-18, 4 pcs.
<b>15</b>	CB5-20, 6 pcs.	SCB5-20, 6 pcs.
<b>20</b>	CB5-25, 6 pcs.	SCB5-25, 6 pcs.
<b>25</b>	CB5-30, 6 pcs.	SCB5-30, 6 pcs.
<b>30</b>	CB5-35, 6 pcs.	SCB5-35, 6 pcs.