

# Hexagonal Posts with Pilot

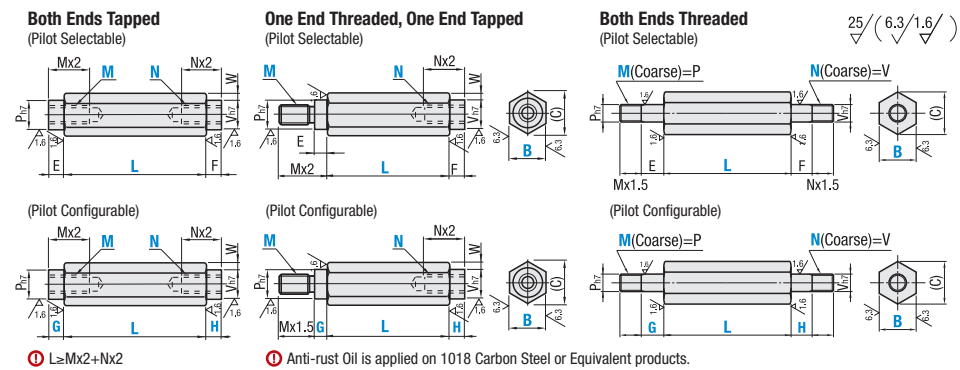
Pilot Selectable & Configurable

Hexagonal Posts with Pilot – Pilot Selectable & Configurable



RoHS10

Type						Material	Surface Treatment
Both Ends Tapped		One End Threaded, One End Tapped		Both Ends Threaded			
Pilot Selectable	Pilot Configurable	Pilot Selectable	Pilot Configurable	Pilot Selectable	Pilot Configurable		
NLSBJ	NLSBJF	NLSBK	NLSBKF	NLSBM	NLSBMF	1018 Carbon Steel or Equivalent	Black Oxide
LSBJ	LSBJF	LSBK	LSBKF	LSBM	LSBMF		Electroless Nickel Plating
PLSBJ	PLSBJF	PLSBK	PLSBKF	PLSBM	PLSBMF	304 Stainless Steel	—
SLSBJ	SLSBJF	SLSBK	SLSBKF	SLSBM	SLSBMF		—



## Both Ends Tapped

Part Number Type	B	L		M (Coarse) / N (Coarse)		G	H	E	F	P	V	W	(C)
		0.5 mm Increment	1mm Increment	1mm Increment	1mm Increment								
Pilot Selectable 1018 Carbon Steel or Equivalent NLSBJ LSBJ PLSBJ	Pilot Configurable 1018 Carbon Steel or Equivalent NLSBJF LSBJF PLSBJF	8	15-250	3 4	2-4	2-4	4	4	6	6	1	9.2	
		10	15-350	4 5	2-5	2-5	5	5	8	8	1	11.5	
		12	20-500	5 6	2-6	2-6	6	6	10	10	1	13.9	
		13	20-500	5 6	2-6	2-6	6	6	10	10	1.5	15	
		14	25-600	6 8	2-8	2-8	8	8	12	12	1	16.2	
		17	25-600	6 8	2-8	2-8	8	8	12	12	2	19.6	
		19	40-600	6 8 10 12	2-10	2-10	10	10	16	16	1.5	21.9	
		24	50-700	6 8 10 12 16	2-12	2-12	12	12	20	20	2	27.7	
		27	50-800	6 8 10 12 16	2-16	2-16	16	16	24	24	1.5	31.2	
		27W	50-800	6 8 10 12 16	2-16	2-16	16	16	20	20	3.5	34.6	
304 Stainless Steel SLSBJ	304 Stainless Steel SLSBJF	30	60-1000	6 8 10 12 16 20	2-16	2-16	16	16	24	24	3	36.9	
		30W	60-1000	6 8 10 12 16 20	2-16	2-16	16	16	24	24	3	36.9	
		32	60-1000	6 8 10 12 16 20	2-20	2-20	20	20	30	30	1	36.9	
		32W	60-1000	6 8 10 12 16 20	2-20	2-20	20	20	24	24	4	36.9	

## One End Threaded, One End Tapped

Part Number Type	B	L		M (Coarse)		N (Coarse)		G	H	E	F	P	V	W	(C)
		0.5 mm Increment	1mm Increment	1mm Increment	1mm Increment										
Pilot Selectable 1018 Carbon Steel or Equivalent NLSBK LSBK PLSBK	Pilot Configurable 1018 Carbon Steel or Equivalent NLSBKF LSBKF PLSBKF	8	15-250	3 4	2-4	3 4	2-4	2-4	2-4	2	4	6	6	1	9.2
		10	15-350	3 4 5	2-5	3 4 5	2-5	2-5	2	5	8	8	1	11.5	
		12	20-500	4 5 6	2-6	4 5 6	2-6	2-6	3	6	10	10	1	13.9	
		13	20-500	4 5 6	2-6	4 5 6	2-6	2-6	3	6	10	10	1.5	15	
		14	25-600	5 6 8	2-8	5 6 8	2-8	2-8	4	8	12	12	1	16.2	
		17	25-600	5 6 8	2-8	5 6 8	2-8	2-8	4	8	12	12	2	19.6	
		19	40-600	5 6 8 10 12	2-10	5 6 8 10 12	2-10	2-10	5	10	16	16	1.5	21.9	
		24	50-700	5 6 8 10 12 16 20	2-12	5 6 8 10 12 16	2-12	2-12	6	12	20	20	2	27.7	
		27	50-800	5 6 8 10 12 16 20 24	2-16	5 6 8 10 12 16 20	2-16	2-16	7	16	24	24	1.5	31.2	
		27W	50-800	5 6 8 10 12 16 20 24	2-16	5 6 8 10 12 16 20	2-16	2-16	7	16	20	20	3.5	34.6	
304 Stainless Steel SLSBK	304 Stainless Steel SLSBKF	30	60-1000	5 6 8 10 12 16 20 24	2-16	5 6 8 10 12 16 20	2-16	2-16	8	16	28	28	1	34.6	
		30W	60-1000	5 6 8 10 12 16 20 24	2-16	5 6 8 10 12 16 20	2-16	2-16	8	16	24	24	3	34.6	
		32	60-1000	5 6 8 10 12 16 20 24	2-20	5 6 8 10 12 16 20	2-20	2-20	8	20	30	30	1	36.9	
		32W	60-1000	5 6 8 10 12 16 20 24	2-20	5 6 8 10 12 16 20	2-20	2-20	8	20	24	24	4	36.9	

## Both Ends Threaded

Part Number Type	B	L		M (Coarse) / N (Coarse)		G	H	E	F	(C)
		0.5 mm Increment	1mm Increment	1mm Increment	1mm Increment					
Pilot Selectable 1018 Carbon Steel or Equivalent NLSBM LSBM PLSBM	Pilot Configurable 1018 Carbon Steel or Equivalent NLSBMF LSBMF PLSBMF	8	20-250	3 4 5	2-4	2-4	4	4	4	9.2
		10	20-350	4 5 6	2-5	2-5	5	5	5	11.5
		12	25-500	5 6 8	2-6	2-6	6	6	6	13.9
		13	25-500	5 6 8	2-6	2-6	6	6	6	15
		14	30-600	6 8 10	2-8	2-8	8	8	8	16.2
		17	30-600	6 8 10	2-8	2-8	8	8	8	19.6
		19	45-600	6 8 10 12	2-10	2-10	10	10	10	21.9
		24	55-700	6 8 10 12 16	2-12	2-12	12	12	12	27.7
		27	55-800	6 8 10 12 16 20	2-16	2-16	16	16	16	31.2
		30	65-1000	6 8 10 12 16 20 24	2-16	2-16	16	16	16	34.6
304 Stainless Steel SLSBM	304 Stainless Steel SLSBMF	32	65-1000	6 8 10 12 16 20 24	2-20	2-20	20	20	20	36.9

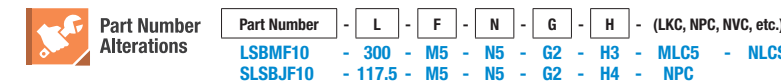
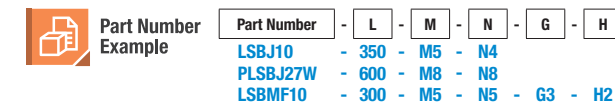
L Dimension Tolerances generally are:  
 L15-300 ±0.1  
 L300.5-600 ±0.3  
 L600.5-800 ±0.4

However, when L≤200, all simultaneously produced pieces in a lot will have L dim. tolerance of ±0.02 or better.

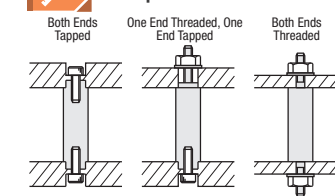
# Hexagonal Posts with Pilot

Pilot Selectable & Configurable, *continued*

Part Number Type	B	Available Types			
		Min. L-200	L200.5-400	L400.5-600	L600.5-800
Both Ends Tapped	8	•	•	—	—
1018 Carbon Steel or Equivalent NLSBJ NLSBJF	10	•	•	—	—
1018 Carbon Steel or Equivalent Black Oxide LSBJ LSBJF	12	•	•	—	—
1018 Carbon Steel or Equivalent Black Oxide LSBK LSBKJF	13	•	•	—	—
1018 Carbon Steel or Equivalent Electroless Nickel Plating PLSBJ PLSBJF	14	•	•	•	—
304 Stainless Steel SLSBJ SLSBJF	17	•	•	•	—
	19	•	•	•	—
304 Stainless Steel SLSBK SLSBKJF	24	•	•	•	—



## Application Example



Alterations	Code	Spec.
L Dimension Tolerance	LKC	L Dimension tolerances are as follows: Ordering Code: LKC
No machining for P pilot at M thread end.	NPC	Ordering Code: NPC
No machining for V pilot at N thread end.	NVC	Ordering Code: NVC
Full Length (L Dimension) Precision	LVC	When ordering multiple, each L dimension variation will be within ±0.02mm Ordering Code: LVC
Pilot length can be specified.	GLC HLC	Ordering Code: GLC15 / HLC15

Alterations	Code	Spec.
Thread Length	MLC NLC	Changes the thread length of M and N threads. Ordering Code: MLC10 Mx1≤MLC<Mx1.5 Nx1≤NLC<Nx1.5
Pilot diameter can be specified.	PKH VKH	Ordering Code: PKH8 VKH10
Effective Length of Tapped Thread	MD ND	Change the effective length of the tapped thread portion to M (or N) x 3. Ordering Code: MD6 / ND6 (Change M to MD, and N to ND)