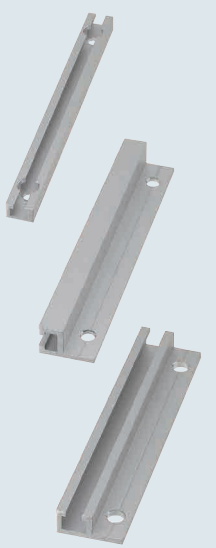


Rails for Switches and Sensors

Configurable L-Dimension / Fixed Hole Position

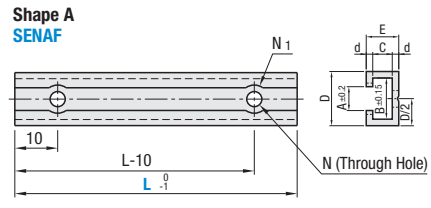
Rails for Switches and Sensors – Configurable L-Dimension, Fixed Hole Position



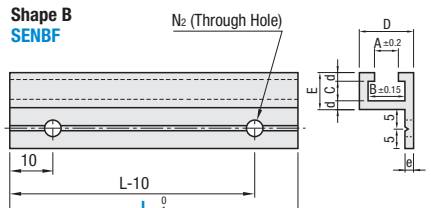
RoHS 10

Material	Surface Treatment	Part Number		
		Shape A	Shape B	Shape C
6063-T5 Aluminum Alloy	Clear Anodize	SENAF	SENB	SENC

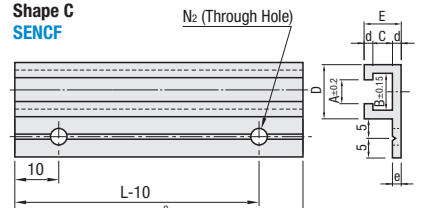
Shape A
SENAF



Shape B
SENB



Shape C
SENC



Ⓞ No anodizing on the ends and inner surface.
 Ⓞ Burrs remain inside of the mounting holes.
 Ⓞ No hole machining specification is required for this product.

Configurable L-Dimension: Fixed Hole Position

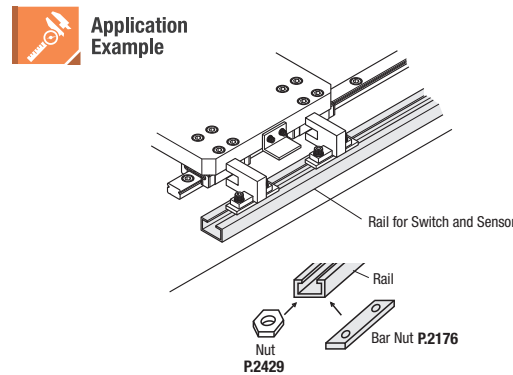
Ⓞ No. indicates the applicable nut size.

Bar Nuts P.2176

Part Number		L 1 mm Increment	N	N ₁	N ₂	A	B	C	D	E	d	e
Type	No.											
Shape A	SENAF	50-200	3.5	6.5	3.5	3.4	5.7	3.0	9	6.0	1.5	2
Shape B	SENB				4.5	4.5	7.2	4.0	11	8.0	2.0	
Shape C	SENC				5.5	5.5	8.2	5.5	12	9.5		3

Part Number Example

Part Number	-	L
SENAF3	-	100
SENC5	-	150




Rails for Switches and Sensors

Configurable L-Dimension and Hole Positions

Bar Nuts P.2176

Rails for Switches and Sensors – Configurable L-Dimension and Hole Positions

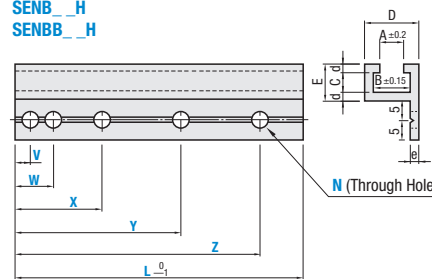


RoHS 10

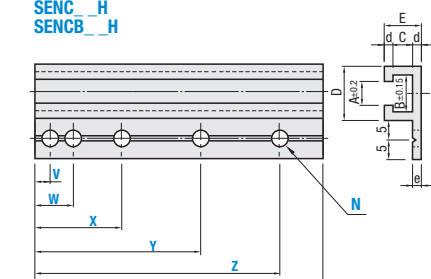
Material	Surface Treatment	Part Number	
		Shape B	Shape C
6063-T5 Aluminum Alloy	Clear Anodize	SENB_H	SENC_H
	Black Anodize	SENBH_H	SENCB_H

Ⓞ No Anodizing on the tip and inner surface.

Shape B
SENB_H
SENBH_H



Shape C
SENC_H
SENCB_H



Configurable L-Dimension and Hole Positions

Part Number		L 1 mm Increment	VWXYZ 1 mm Increment	N 0.5 mm Increment	A	B	C	D	E	d	e
Type	No. (No. of Holes)										
Shape B	2*	50-600	5-595	3.5-5.5	2.4	4.2	2.5	7.5	5.5	1.5	2
SENB	3				3.4	5.7	3.0	9	6.0		
SENBH		4H	50-1200		5-1195	4.5	7.2	4.0	11	8.0	2.0
SENC	5H	5.5		8.2		5.5	12	9.5			

- *No. 2 is available for SENC (Shape C, Clear Anodize) only.
- Ⓞ When N is not specified, N=3.5 for No. 2 or 3, N=4.5 for No. 4 and N=5.5 for No. 5.
- Ⓞ Please specify the mounting hole pitch as N+1.5 or more.
- Ⓞ No. indicates the applicable nut size.

Part Number Example

Part Number	-	L	-	V	-	W	-	X	-	Y	-	Z	-	N
SENC	3	3H	-	100	-	V10	-	W70	-	X82	-	-	-	N4.0
SENC	3	4H	-	658	-	V10	-	W300	-	X350	-	Y648	-	N4.5
SENC	3	5H	-	1100	-	V10	-	W300	-	X540	-	Y648	-	Z1090
SENCB32H	-	-	-	200	-	V10	-	W70	-	-	-	-	-	N4.5