

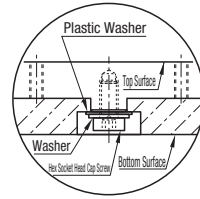
[Simplified Adjustments] Angle Adjusting Units

Feature: Strong hold can be achieved by firmly tightening the bolt that hold the upper and lower units after adjusting the rotation by the handle.
Friction effect prevents angle misalignment when clamped.

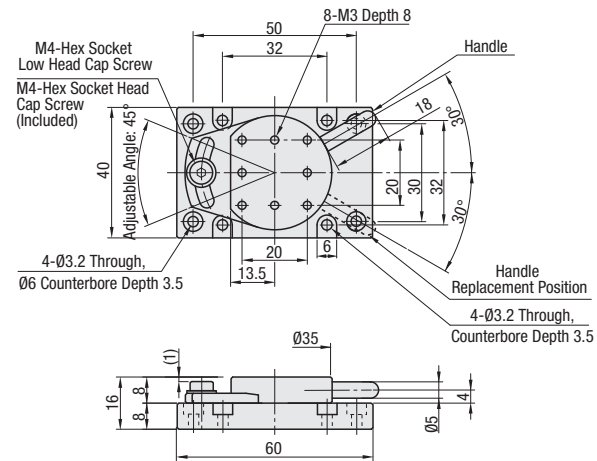
Simplified Angle Adjusting Units



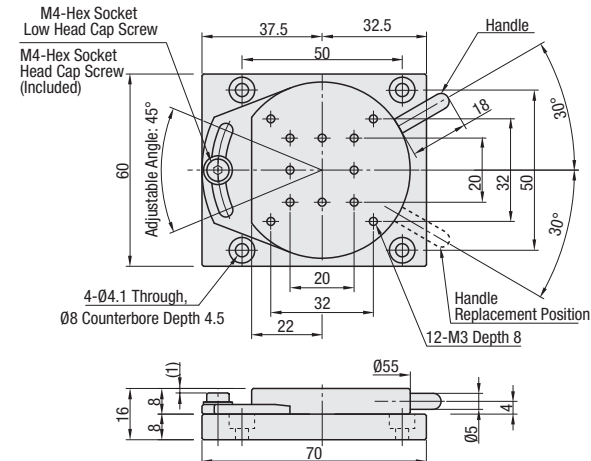
Friction Effect
A plastic washer inserted at the top-and-bottom-plate connecting portion causes appropriate friction, preventing angle misalignment by overtightening of the clamp screw.



XKRC40



XKRC60



- Top and bottom plates are ground fit, thus the accuracy of the mating plane may change the sliding resistance.
- The adjustment handle is removable, and two handle mounting holes are provided.
- A Hex Socket Head Cap Screw (M4) is included as a clamp bolt enabling clamping by a wrench.

Material: Aluminum Alloy
Surface Treatment: Black Anodize
Accessories: Hex Socket Low Head Cap Screw RSCB4-10, 1 pc.

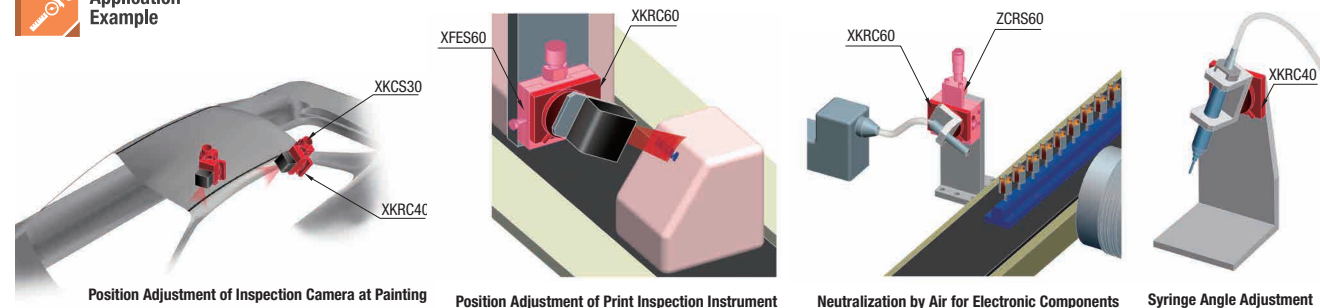
Combination Examples of Adjustment Units

Part Number	Stage Surface	Travel Distance	Load Capacity (N)	Weight (kg)
Type	No.	(mm)	Horizontal	
	XKRC	40	±22.5°	9.8
	60	Ø55	14.7	0.15

	XKRC40	XKRC60
Simplified Adjustment Units	XKCS30	XKCS30
	XKDSP40	XKDSP60
	XKEMA40	XKEMA60
High Precision Stages	XFES40	XFES60
	XCRS40	XCRS60
	XZLNG40	XZLNG60
	ZFES40	ZFES60
	ZCRS40	ZCRS60
	ZLFG40	ZLFG60
Standard Stages	ZLPG40	ZLPG60
	ZLTG40	ZLTG60

Part Number Example **Part Number**
XKRC60

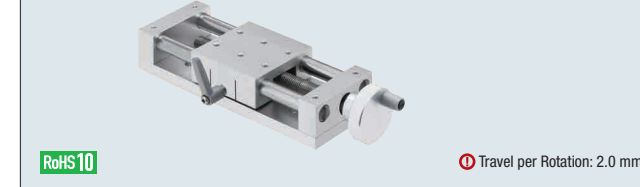
Application Example



[Simplified Adjustments] X-Axis, Feed Screw, Heavy Load, X/Z-Axis

Feature: The shaft is directly clamped with lever providing larger holding force than pushing by the feed screw.

Standard



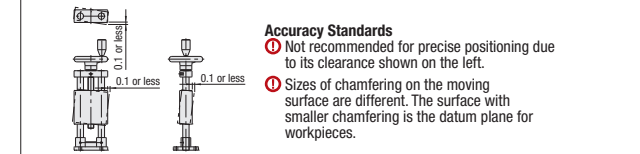
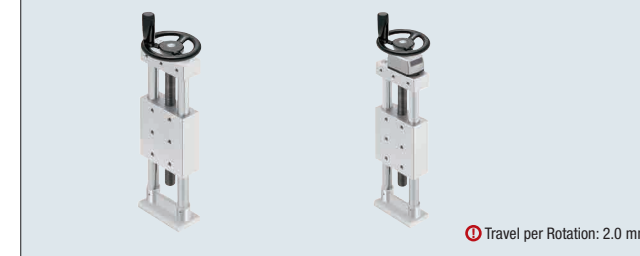
Type	Main Body		Shaft (Ø15)		Feed Screw (M14)	Accessories
	Material	Surface	Material	Surface	Material	
XKST	Aluminum Alloy	Clear Anodize	440C Stainless Steel	56 HRC min.	303 Stainless Steel	Mounting Screw (SCB6-15 x 4 pcs.) Scale Label

Part Number	Stage Surface	Travel Distance	L	L ₁	Load Capacity	Weight	
Type	No.	(mm)	(mm) (Z x 2)		(N)	(kg)	
	XKST	50	80 x 80	50	170	100	1.72
	100	100	220	150	196	2.00	
	150	150	270	200	2.32		

Part Number Example **Part Number**
XKST50

Feature: Large shaft diameter increases the load capacity.

Standard

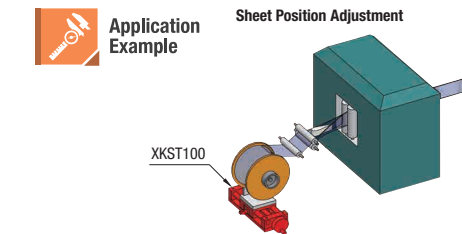
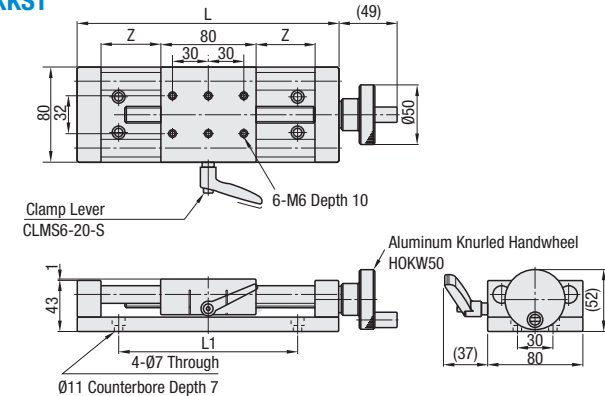


Type	Main Body		Shaft (Ø15)		Feed Screw (M14)	Stand Bracket		Accessories
	Material	Surface	Material	Hardness	Material	Material	Surface	
ZKST ZKSTP	Aluminum Alloy	Clear Anodize	440C Stainless Steel	56 HRC min.	303 Stainless Steel	Aluminum Casting Alloy 514.0	Clear Anodize	Mounting Screw (SCB6-18 x 4 pcs.)

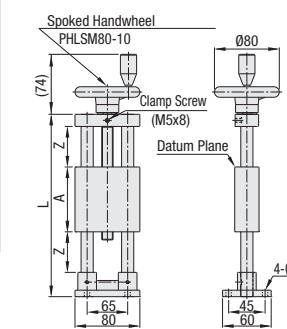
Part Number	L	Stage Surface	Travel Distance	Travel per Rotation	Load Capacity	Weight (kg)			
Type	A-Z	(mm)	(mm) (Z x 2)	(mm)	(N)	ZKST	ZKSTP		
	ZKST	40-25	135	40x80	50	2	49	1.01	1.07
		40-50	185	100				1.20	1.26
		80-25	175	80x80	50			1.32	1.38
	80-50	225	100				1.51	1.57	

Part Number Example **Part Number**
ZKST40-25
ZKSTP80-50

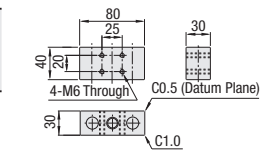
XKST



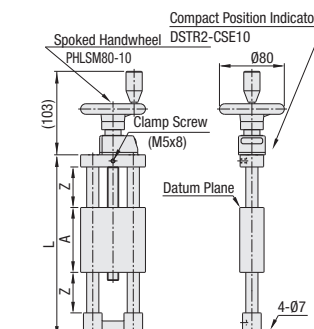
ZKST (Without Compact Position Indicator)



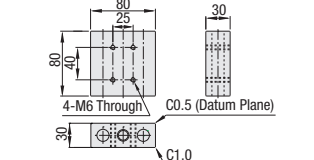
Stage Top Mounting Hole Dimensions
40-25, 40-50



ZKSTP (With Compact Position Indicator)



Stage Top Mounting Hole Dimensions
80-25, 80-50



Part Number Example **Part Number** - (R)
ZKSTP40-50 - R

Applicable to ZKSTP only.

Alterations	Compact Position Indicator Direction
Spec.	
Code	R