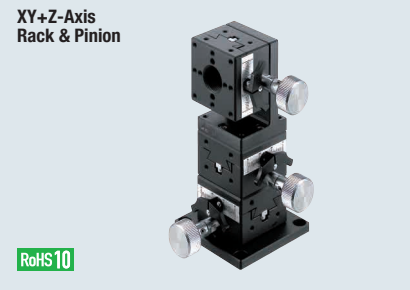


[High Precision] Stages

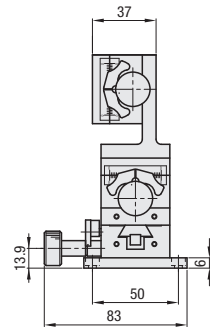
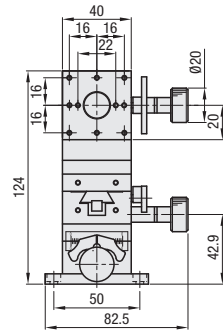
XY+Z-Axis Rack & Pinion / XY+Horizontal Surface Z-Axis

| Travel per Rotation | Small | Medium | Large |
|---------------------|-------|--------|-------|
| Stroke | Short | Medium | Long |
| Load Capacity | Light | Medium | Heavy |

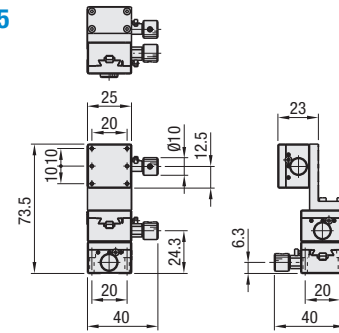


RoHS 10

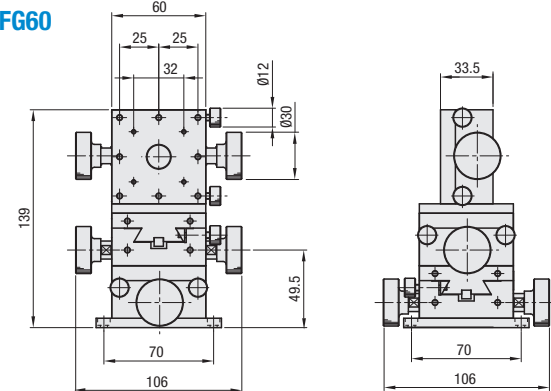
XYZFG40



XYZFG25



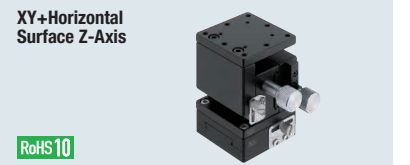
XYZFG60



| Part Number Type | No. | Stage Configurations | | Stage Surface (mm) | Travel Distance (mm) | | | Load Capacity (N) | Weight (kg) | Accessories (4 pcs.) Type M-L |
|------------------|-----|----------------------|-------|--------------------|----------------------|-----|-----|-------------------|-------------|-------------------------------|
| | | Bottom | Top | | X | Y | Z | | | |
| XYZFG | 25 | XYFG25 | ZFG25 | 25 x 25 | ±5 | ±5 | ±5 | 6.9 | 0.29 | SCB2-12 |
| | 40 | XYFG40 | ZFG40 | 40 x 40 | ±10 | ±10 | ±10 | 14.7 | 0.61 | SCB4-6 |
| | 60 | XYFG60 | ZFG60 | 60 x 60 | ±20 | ±20 | ±20 | 19.6 | 1.79 | SCB4-6 |

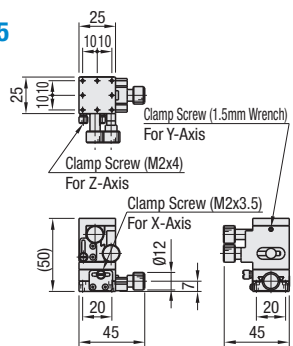
Part Number Example **XYZFG25**

For dimension details, see the catalog page for each stage. XYFG P.2045 ZFG P.2059

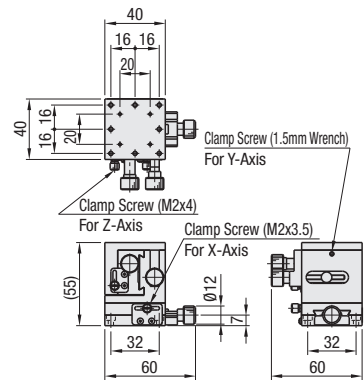


RoHS 10

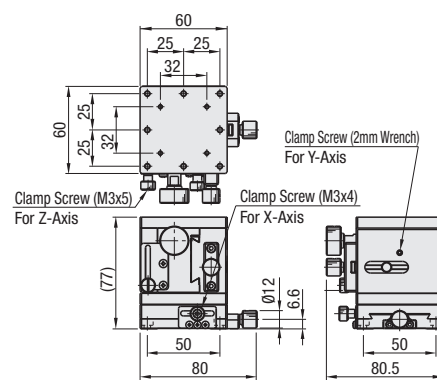
XYZLNG25



XYZLNG40



XYZLNG60



| Part Number Type | No. | Stage Configurations | | Stage Surface (mm) | Travel Distance (mm) | | | Load Capacity (N) | Weight (kg) | Accessories (4 pcs.) Type M-L |
|------------------|-----|----------------------|---------|--------------------|----------------------|-----|-----|-------------------|-------------|-------------------------------|
| | | Bottom | Top | | X | Y | Z | | | |
| XYZLNG | 25 | XEG25-R | XZLNG25 | 25 x 25 | ±5 | ±5 | +10 | 9.8 | 0.24 | SCB2-8 |
| | 40 | XEG40-R | XZLNG40 | 40 x 40 | ±7 | ±7 | +10 | 9.8 | 0.70 | SCB3-6 |
| | 60 | XEG60-R | XZLNG60 | 60 x 60 | ±9 | ±10 | +26 | 9.8 | 1.22 | SCB4-6 |

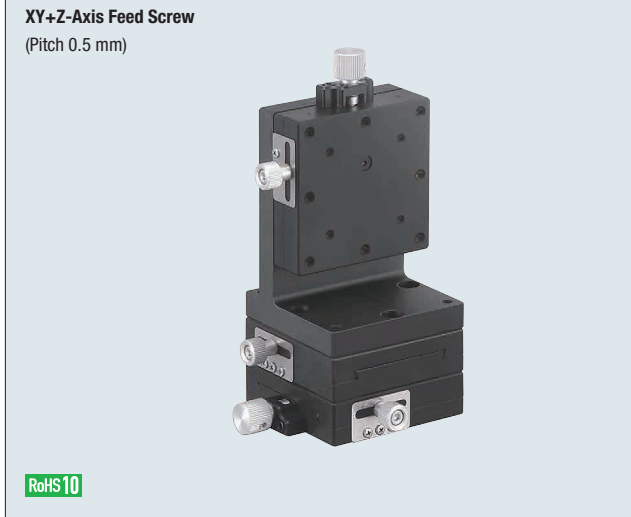
Part Number Example **XYZLNG25**

For detailed dimensions, material and characteristics, see description pages of the individual stages. XEG-R P.2033 XZLNG P.2086

[High Precision] Dovetail Feed Screw Stages

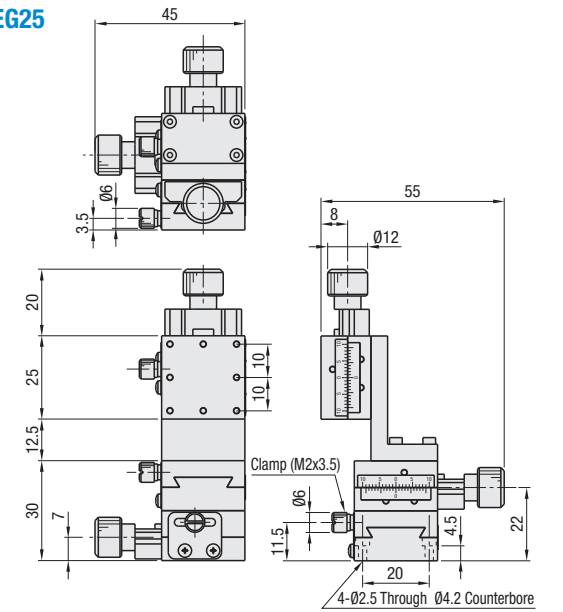
XY+Z-Axis Feed Screw (Pitch 0.5 mm)

| Travel per Rotation | Small | Medium | Large |
|---------------------|-------|--------|-------|
| Stroke | Short | Medium | Long |
| Load Capacity | Light | Medium | Heavy |

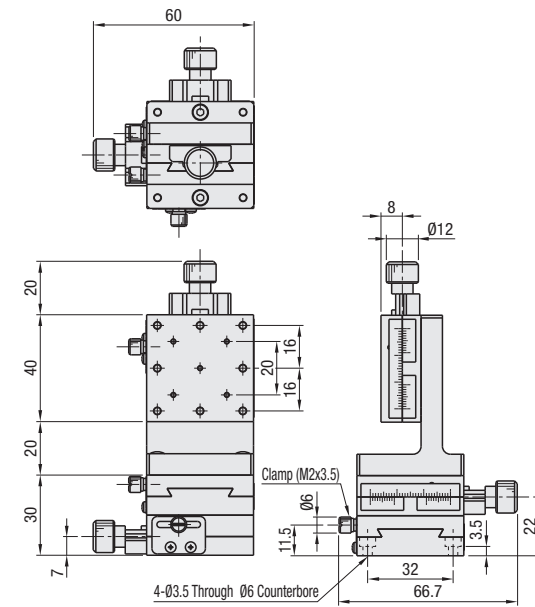


RoHS 10

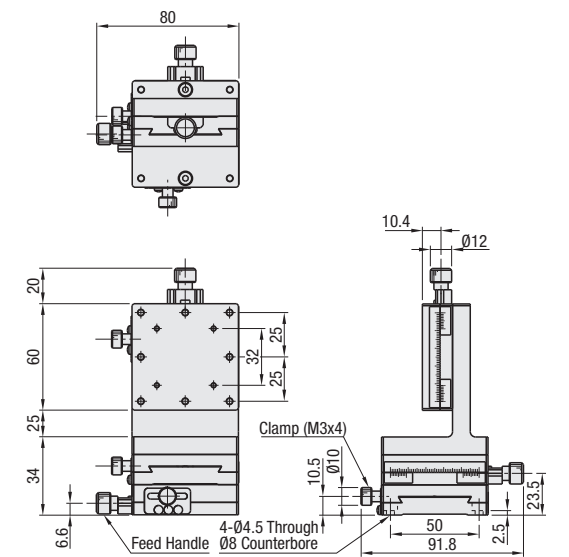
XYZEG25



XYZEG40



XYZEG60



Material: (Main Body) Low Cadmium Brass
(Feed Knob) Aluminum
Surface Treatment: Black Fluororesin Treatment

| Part Number Type | No. | Stage Configurations | | Stage Surface (mm) | Travel Distance (mm) | | | Load Capacity (N) | Weight (kg) | Accessories (4 pcs.) Type M-L |
|------------------|-----|----------------------|-------|--------------------|----------------------|----|----|-------------------|-------------|-------------------------------|
| | | Bottom | Top | | X | Y | Z | | | |
| XYZEG | 25 | XYEG25 | ZEG25 | 25 x 25 | ±5 | ±5 | ±5 | 9.8 | 0.24 | SCB2-8 |
| | 40 | XYEG40 | ZEG40 | 40 x 40 | ±7 | ±7 | ±7 | 9.8 | 0.65 | SCB3-6 |
| | 60 | XYEG60 | ZEG60 | 60 x 60 | ±9 | ±9 | ±9 | 14.7 | 1.95 | SCB4-6 |

For detailed dimensions, material and characteristics, see the catalog page for each stage. XYEG P.2050 ZEG P.2065
Extension Cover HDEXT12 (Sold Separately): extends Ø 12 mm knob. P.2035

Part Number Example **XYZEG25**