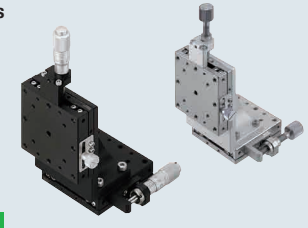


[High Precision] Linear Ball Guide Stages

XZ-Axis

Travel per Rotation	Small	Medium	Large
Stroke	Short	Medium	Long
Load Capacity	Light	Medium	Heavy

XZ-Axis

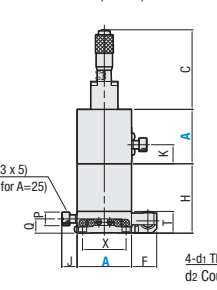


RoHS 10

For top surface mounting dimensions and feed bracket shapes, see Linear Ball Slide X-Axis Stages P.2037
Z-Axis of A=25 has different bracket shape. P.2067

Micrometer Heads

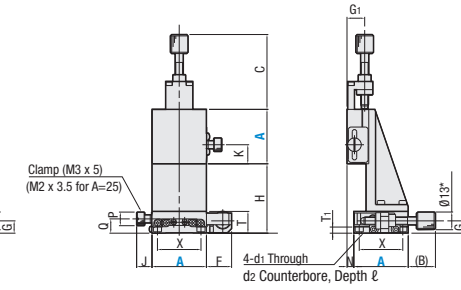
XZSG
XZSGB (Black)



Clamp (M3 x 5)
(M2 x 3.5 for A=25)

Feed Screws (Pitch 0.5)

XZSCG



Clamp (M3 x 5)
(M2 x 3.5 for A=25)

* marked dia. will be Ø7 for A=25* Ø7 when A=25

Characteristics of Black Chrome Plating P.213

Type	Main Body		Ball		Spring	Micrometer Head Bracket		Tip Holder	
	Material	Surface Treatment	Material	Hardness	Material	Material	Surface Treatment	Material	Surface Treatment
XZSG	440C Stainless Steel	Aluminum Alloy	440C Stainless Steel	58 HRC min.	304 Stainless Steel PB	5052 Aluminum Alloy	Clear Anodize	303 Stainless Steel	—
XZSCG							Black Anodize		
XZSGB		Black Anodize				Low Temp. Black Chrome Plating			

For Micrometer Head and Feed Screw materials, see P.2102-2103.

Micrometer Head (XZSG, XZSGB) / Feed Screw (XZSCG) Standard Stages with Similar Specifications: Combination of XLBS P.2079 and ZLBS P.2080.

Part Number	Front View													Side View							Accessories (4 pcs.)			
	Type	A	H	C		K	Q	P	J	F	T	T ₁	N	(B)		Travel Distance (mm)	D	G	G ₁	X		d ₁	d ₂	I
XZSG XZSCG XZSGB (* only)	25*	24.5	37.0	23	10	8.5	6	6.8	11.7	12	3.7	7	25	11	±3.2	9.3	7	10	20	2.5	4.2	2.5	—	SCB2-4
	40*	51	58.5	55	14	10.5	10	11.5	18.5	16	4.5	20	24	20.3	±6.5	13	8.9	13	32	3.5	6	3.5	—	SCB3-6
	50	46			19								15.3	40										
	60*	41	24	24	10.3	5	21	14	10.3	18	6	12	14.5	10.8	9.95	14	60	4.5	8	4.5	—	SCB4-6		
	70	43	23.5	11.5	26*	20	6.5	20	43.5	10	±12.5 ²	18	10.8	16.5	70	5.3	—							
80*	40	96.0	25	14.5	—	—	—	—	—	—	—	—	—	—	—	—	—	—	—	—	—	—	—	

* When feed screw A=80, F=20 ² Travel distance of Feed Screw Type XZSCG80 is ±6.5 mm.

Performance

Part Number	Stage Surface (mm)	Load Capacity (N)	Accuracy			Moment Load Capacity (N·m)			Moment Rigidity (°/N·cm)			Weight (kg)	
			Straightness	Pitching	Yawing	Pitching	Yawing	Rolling	Pitching	Yawing	Rolling		
XZSG XZSCG XZSGB (* only)	25*	25 x 25	9.8	3 µm	30*	25*	2.0	2.0	3.5	3.80	2.20	2.20	0.3
	40*	40 x 40					5.0	5.0	5.0	0.84	0.56	0.56	0.55
	50	50 x 50					6.8	6.0	6.0	0.30	0.23	0.23	0.72
	60*	60 x 60					10.0	9.0	9.0	0.16	0.13	0.13	0.98
	70	70 x 70					13.8	12.9	12.9	0.12	0.08	0.08	1.42
80*	80 x 80	18.2	17.7	17.7	0.08	0.06	0.06	2.10					

- XZSG and XZSGB Micrometer Head Resolution 10µm/division ³XZSGB Straightness is 3 µm.
- Knob Cover HDCVR13 (Sold Separately): increases diameter of Ø 13 mm knob. P.2035
- Extension Cover HDEXT13 (Sold Separately): extends Ø 13 mm head or feed screw knobs. P.2035

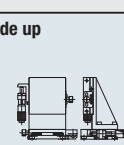
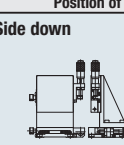
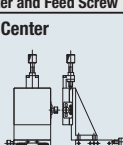
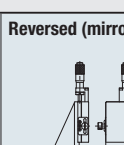
Part Number Example

Part Number: XZSG80

Part Number Alterations

Part Number: XZSG40 - (C / CU / A / R)

Alteration: C

Alterations	Position of Micrometer and Feed Screw			
	Side up	Side down	Center	Reversed (mirrored)
Spec.				
Code	C	CU	A	R


⊗ Not applicable to XZSGB.

[High Precision] Cross Roller Stages

XZ-Axis / X+Horizontal Surface Z-Axis

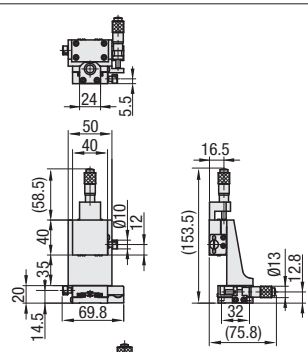
Travel per Rotation	Small	Medium	Large
Stroke	Short	Medium	Long
Load Capacity	Light	Medium	Heavy

XZ-Axis

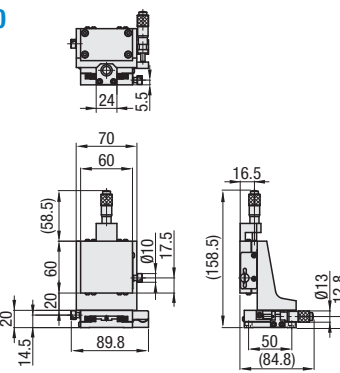


RoHS 10

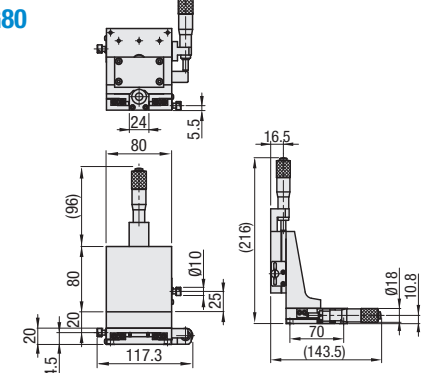
XZPG40



XZPG60



XZPG80



Material: Aluminum Alloy
Surface Treatment: Black Anodize

For top surface mounting dimensions, see Cross Roller X-Axis Stages (P.2037).


Part Number	No.	Stage Configuration		Stage Surface (mm)	Travel Distance (mm)		Load Capacity (N)	Weight (kg)
		Bottom	Top		X	Z		
XZPG	40	XPG40	ZPG40	40 x 40	±6.5	±6.5	9.8	0.34
	60	XPG60	ZPG60	60 x 60	±6.5	±6.5	19.6	0.70
	80	XPG80	ZPG80	80 x 80	±12.5	±12.5	49.0	1.30

- For dimension details, see the catalog page for each stage.
- Knob Cover HDCVR13 (Sold Separately): increases diameter of Ø 13 mm knob. P.2035
- Extension Cover HDEXT13 (Sold Separately): extends Ø 13 mm head or feed screw knobs. P.2035

Part Number Example

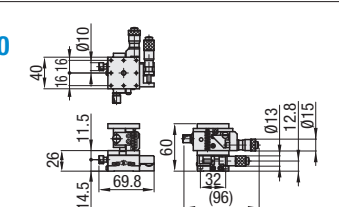
Part Number: XZPG60

X+Horizontal Surface Z-Axis

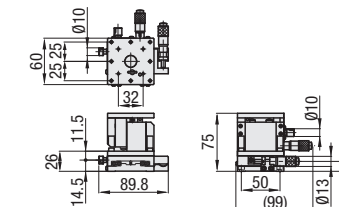


RoHS 10

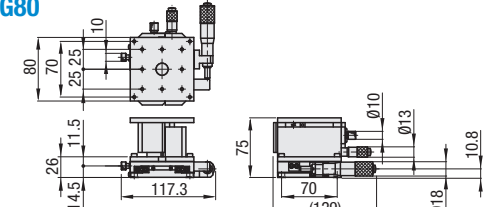
XZLPG40



XZLPG60



XZLPG80



Material: Aluminum Alloy
Surface Treatment: Black Anodize

Part Number	No.	Stage Configuration		Stage Surface (mm)	Travel Distance (mm)		Load Capacity (N)	Weight (kg)
		Bottom	Top		X	Z		
XZLPG	40	XPG40	ZLPG40	40 x 40	±6.5	±3.0	9.8	0.35
	60	XPG60	ZLPG60	60 x 60	±6.5	±3.0	19.6	0.63
	80	XPG80	ZLPG80	80 x 80	±12.5	±5.0	29.4	1.47

- For dimension details, see the catalog page for each stage.
- Knob Cover HDCVR13 (Sold Separately): increases diameter of Ø 13 mm knob. P.2035
- Extension Cover HDEXT13 (Sold Separately): extends Ø 13 mm head or feed screw knobs. P.2035

Part Number Example

Part Number: XZLPG80