


[High Precision] XY-Axis, Rotary, Feed Screw

Features: Compact Sized and Integrated Type Stages rotatable and slidable based on XY-Axis.

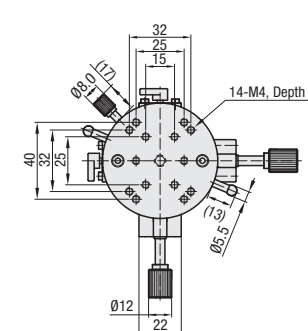
XY-Axis + Rotary



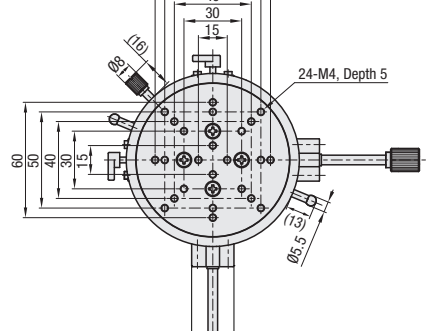
Scale is provided with the actual product. For specifications, see Specification Diagram.

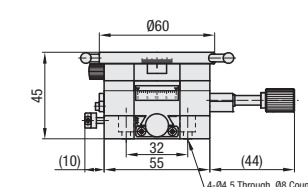
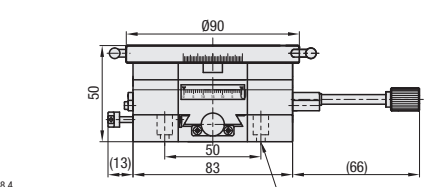
RoHS 10

XYRSL60



XYRSL90



Material: Aluminum Alloy
Surface Treatment: Black Anodize

Part Number		Stage Surface (mm)	Travel Distance (mm)	Travel per Rotation (mm)	Load Capacity (N)	Straightness (μm)	Weight (kg)
Type	No.						
XYRSL	60	Ø60	XY: ±21 360° Rotation	4.2	34.3	30	0.39
	90	Ø90	XY: ±35 360° Rotation				

Part Number Example


Part Number: **XYRSL60**

[High Precision] Dovetail Rack & Pinion Stages

Z-Axis Square Standard

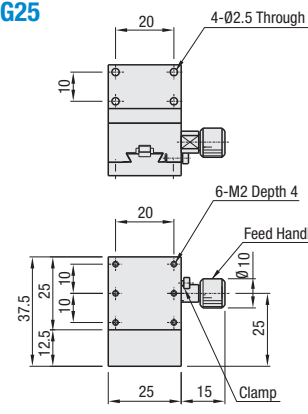
Travel per Rotation	Small	Medium	Large
Stroke	Short	Medium	Long
Load Capacity	Light	Medium	Heavy

Z-Axis Square Standard

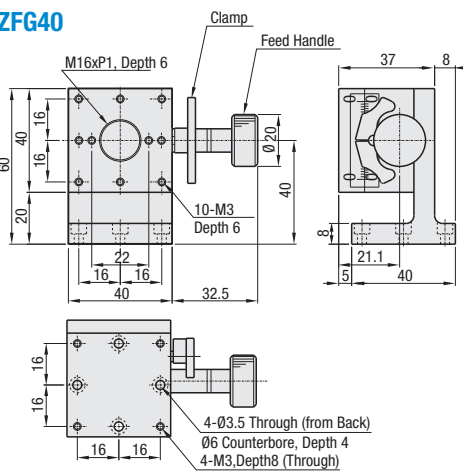


RoHS 10

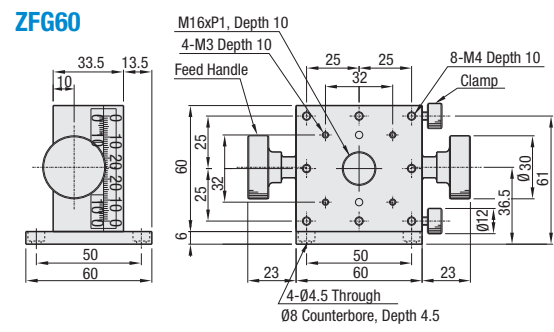
ZFG25



ZFG40



ZFG60



Vernier scale of ZFG25 will be on the opposite side of the clamp mount side.

Part Number	Material		Surface Treatment	
	Main Body	Bracket	Main Body	Bracket
ZFG25	Low Cadmium Brass	Aluminum Alloy	Black Fluororesin Treatment	Black Anodize
ZFG40	Aluminum Alloy		Black Anodize	
ZFG60	Aluminum Alloy		Black Anodize	

Part Number		Stage Surface (mm)	Travel Distance (mm)	Travel per Knob Rotation (mm)	Load Capacity (N)	Travel Accuracy Straightness	Weight (kg)	Accessories (4 pcs.)	
Type	No.							Type M-L	
ZFG	25	25 x 25	±5	17	6.9	20μm	0.11	SCB2-8	
	40	40 x 40	±10	20	14.7			0.23	SCB3-8
	60	60 x 60	+20	18	19.6			0.60	SCB4-6

Resolution (Vernier Scale Indication): 0.1 mm/division

Part Number Example

Part Number: **ZFG40**

Part Number Alterations

Part Number: **ZFG40 - R**

See the CAD data for the details.

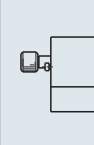
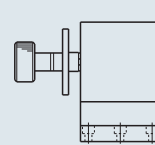
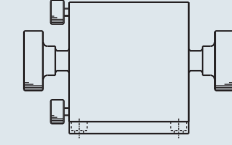
Tips: Lever Clamp 3D View

Some models are equipped with "Lever Clamps" as shown below. The standard clamp knobs are small in diameter and may require significant forces for sufficient clamping.

The wing-shaped lever clamp can be operated with the index finger and thumb with little effort.

Please note that the actual clamping force obtained is the same as the standard clamps.

The lever clamps can not be removed due its construction.

Alteration	Feed Knob Position Change (Left/Right Reversed)		
Spec.			
Code	R		

Clamp Screw	Holding Force	Feature	Caution
Standard Clamp	Equivalent	Economical, Space Saving	Small Knob
Lever Clamp		Good Operability	Limited to Some Models only

Lever Clamp Models:
 XFG40 (P.2019)
 XYFG40 (P.2045)
 ZFG40 (P.2059)
 XZFG40 (P.2086)
 XYZFG40 (P.2090)
 XWGSR40 (P.2024)
 XWGSR60 (P.2040)
 XWGSR90 (P.2040)

