

[High Precision] Dovetail Slide Post Mounted Stages

1-Axis Slide with Crossed Mounting Bores / with a Shaft / 3-Axis Slide with a Shaft

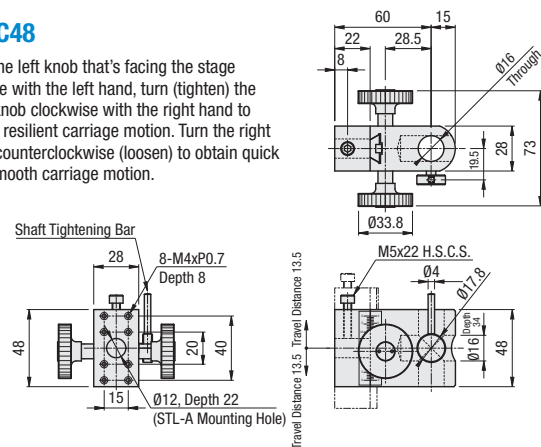
Travel per Rotation	Small	Medium	Large
Stroke	Short	Medium	Long
Load Capacity	Light	Medium	Heavy

1-Axis Slide with Crossed Mounting Bores



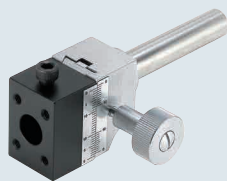
STL-C48

Hold the left knob that's facing the stage surface with the left hand, turn (tighten) the right knob clockwise with the right hand to obtain resilient carriage motion. Turn the right knob counterclockwise (loosen) to obtain quick and smooth carriage motion.



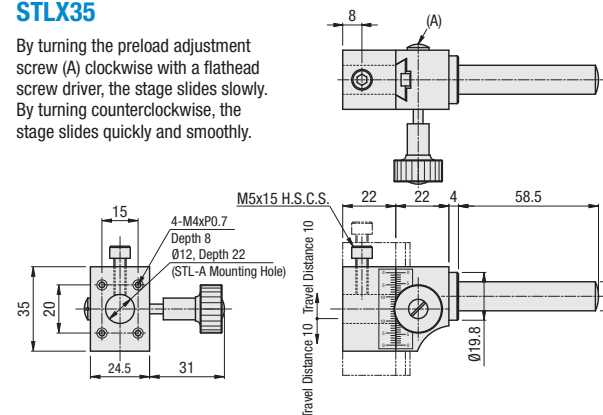
Part Names	Material	Surface Treatment
Positioning Stages	Aluminum Alloy	Black Anodize
Holder	Low Cadmium Brass	Nickel Chrome Plating

1-Axis Slide with a Shaft



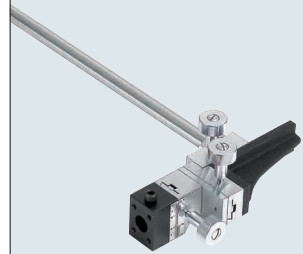
STL-X35

By turning the preload adjustment screw (A) clockwise with a flathead screw driver, the stage slides slowly. By turning counterclockwise, the stage slides quickly and smoothly.



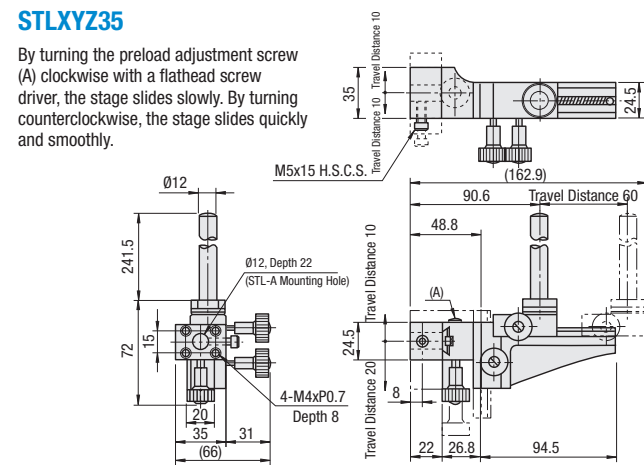
Part Name	Material	Surface Treatment
Positioning Stages	Aluminum Alloy	Black Anodize
Holder	Low Cadmium Brass	Nickel Chrome Plating
Shaft	303 Stainless Steel	—
Washer	Low Cadmium Brass	Nickel Chrome Plating

3-Axis Slide with a Shaft



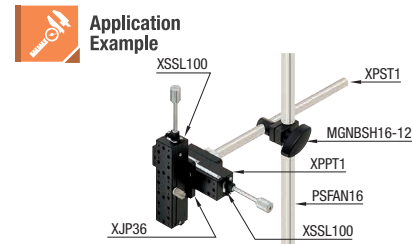
STL-XYZ35

By turning the preload adjustment screw (A) clockwise with a flathead screw driver, the stage slides slowly. By turning counterclockwise, the stage slides quickly and smoothly.



Part Name	Material	Surface Treatment
Slide Stage	Aluminum Alloy	Black Anodize
Holder	Brass	Nickel Chrome Plating
Shaft	303 Stainless Steel	—
Washer	Brass	Nickel Chrome Plating

* When a stage with a clamp is needed, combine a Dovetail Stage (P.2028-2030), Base Plate, and Shaft (P.2031).



Ⓞ Economical Scaled Post Unit is available as Simplified Adjustment Units. See ZKB on P.1993

Part Number	Travel Distance (mm)
STL-C48	27
STL-X35	20
STL-XYZ35	20

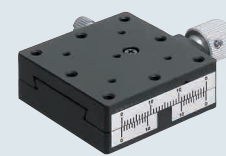
Part Number	Travel Distance (mm)			Travel per Knob Rotation (mm)	Load Capacity (N)	Weight (kg)
	X-Axis	Y-Axis	Z-Axis			
STL-C48	27	—	—	18	29.4	0.35
STL-X35	20	—	—		19.6	0.26
STL-XYZ35	20	30	60		19.6	0.96

[High Precision] Dovetail, Feed Screws Stages

X Axis Standard / Hex Wrench Drive Type (Pitch 0.5 mm)

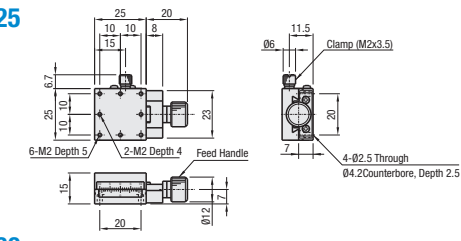
Travel per Rotation	Small	Medium	Large
Stroke	Short	Medium	Long
Load Capacity	Light	Medium	Heavy

X Axis Standard (Pitch 0.5mm)

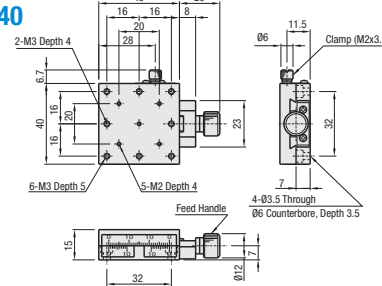


RoHS 10

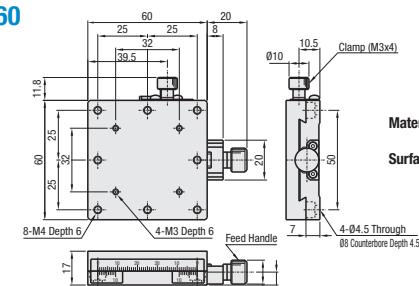
XEG25



XEG40



XEG60



Material: (Main Body) Low Cadmium Brass (Feed Knob) Aluminum
Surface Treatment: Black Fluororesin Treatment

Part Number	Stage Surface (mm)	Travel Distance (mm)	Travel per Knob Rotation (mm)	Load Capacity (N)		Travel Accuracy (μm)		Moment Capacity (N·m)			Parallelism	Weight (kg)	Accessories		
				Horizontal	Vertical	Straightness	Parallelism	Pitching	Yawing	Rolling			Type M-L	Quantity	
XEG	25	25 x 25	±5	0.5	29.4	9.8	30	30	2.0	1.5	1.3	40 μm	0.07	SCB2-8	4
	40	40 x 40	±7		39.2	19.6			4.0	3.0	3.0			SCB3-6	
	60	60 x 60	±9		4.0	4.0			4.0	4.0	SCB4-6				

Ⓞ Resolution (Vernier Scale Indication): 0.1 mm/division

Ⓞ Extension Cover HDEXT12 (Sold Separately): Ø12 feed screw knob can be extended. P.2035

Ⓞ XY-Axis Mounting Plate XPLTE: Use this plate when connecting stages with non-matching mounting holes. P.2021



Part Number Example
XEG25



Part Number Alterations
XEG25 - R

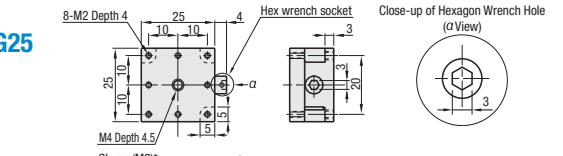
Alteration	Clamp Position Change (Left/Right Reversed)
Spec.	
Code	R

X-Axis Hex Wrench Drive Type (Pitch 0.5mm)

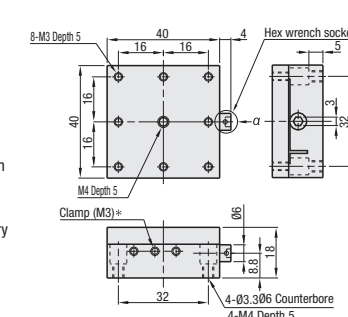


RoHS 10

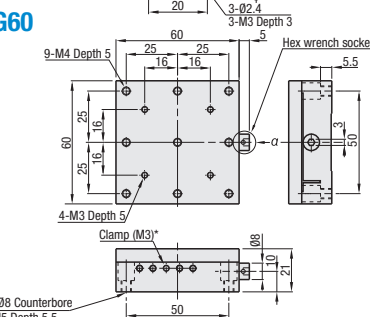
XEEG25



XEEG40



XEEG60



Material: (Body) Low Cadmium Brass (Hex Wrench Access Hole) Aluminum
Surface Treatment: Black Fluororesin Treatment

Part Number	Stage Surface (mm)	Travel Distance (mm)	Travel per Knob Rotation (mm)	Load Capacity (N)		Travel Accuracy (μm)		Moment Capacity (N·m)			Parallelism	Weight (kg)	Accessories		
				Horizontal	Vertical	Straightness	Parallelism	Pitching	Yawing	Rolling			Type M-L	Quantity	
XEEG	25	25 x 25	±3	0.5	29.4	9.8	30	80	2.0	1.5	1.3	50 μm	0.07	SCB2-8	3
	40	40 x 40	±5		39.2	19.6			4.0	3.0	3.0			SCB3-6	
	60	60 x 60	±7		4.0	4.0			4.0	4.0	SCB4-6				

Ⓞ Resolution (Vernier Scale Indication): 0.1 mm/division (XEEG has no vernier scale)

Ⓞ Extension Cover HDEXT12 (Sold Separately): Ø12 feed screw knob can be extended. P.2035

Ⓞ XY-Axis Mounting Plate XPLTE: Use this plate when connecting stages with non-matching mounting holes. P.2021



Part Number Example
XEEG60