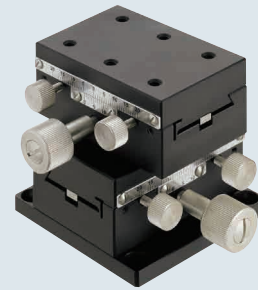


[Standard] Dovetail Rack & Pinion Type

XY-Axis Standard

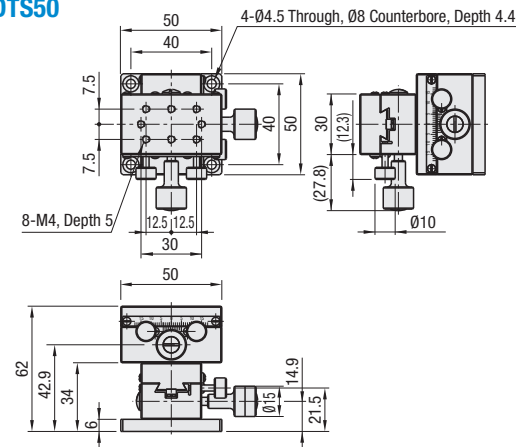
Travel per Rotation	Small	Medium	Large
Stroke	Short	Medium	Long
Load Capacity	Light	Medium	Heavy

XY-Axis Standard

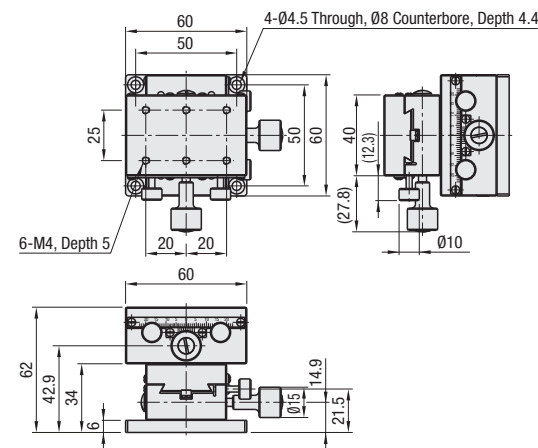


RoHS10

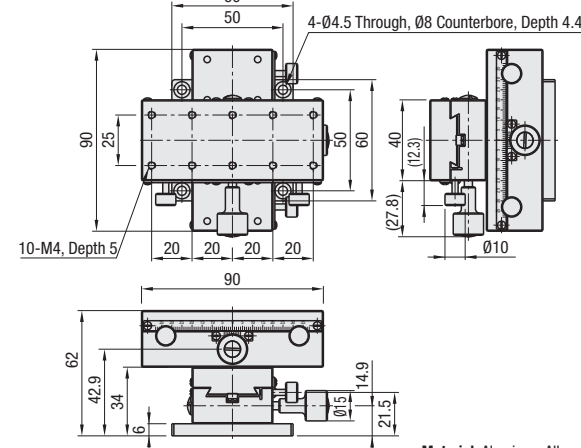
XYDTS50



XYDTS60



XYDTS90



Material: Aluminum Alloy
Surface Treatment: Black Anodize

Part Number	Stage Surface (mm)	Travel Distance (mm)	Travel per Knob Rotation (mm)	Load Capacity (N)	Travel Accuracy Straightness	Weight (kg)
XYDTS 50	30 x 50	±16	16.7	24.5	50 µm	0.39
XYDTS 60	40 x 60	±21		34.3		0.52
XYDTS 90	40 x 90	±35		34.3		0.72

Resolution (Vernier Scale Indication): 0.1 mm/division

Knob Cover HDCVR15 (Sold Separately): Ø15 knobs can be increased in diameter by installing the cover. P.2011



Part Number Example

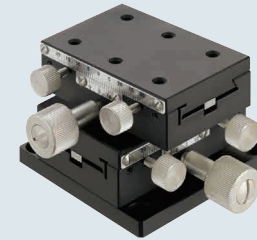
Part Number
XYDTS60

[Standard] Dovetail Rack & Pinion Type

XY-Axis Low Profile

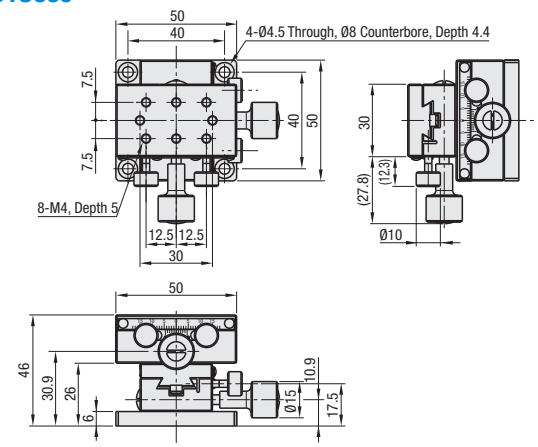
Travel per Rotation	Small	Medium	Large
Stroke	Short	Medium	Long
Load Capacity	Light	Medium	Heavy

XY-Axis Low Profile

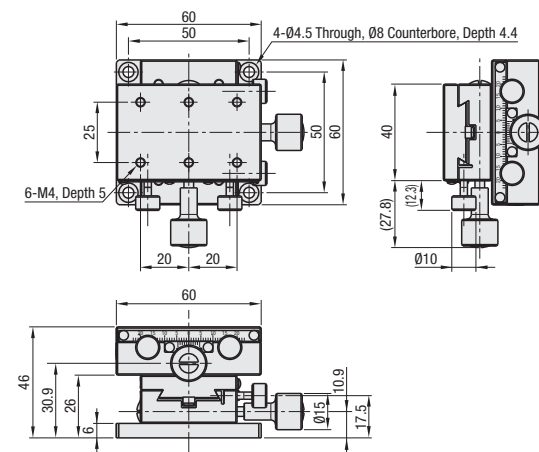


RoHS10

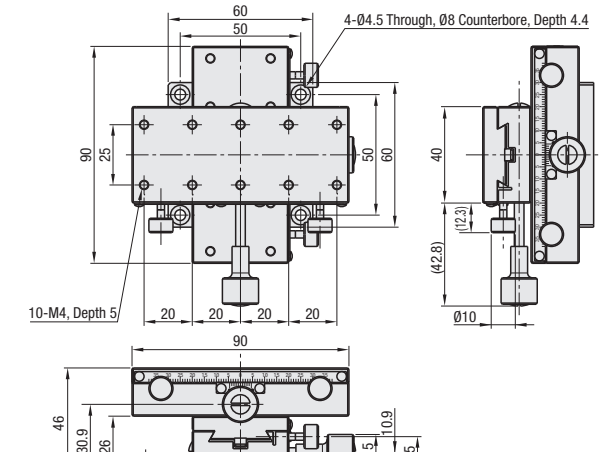
XYDTS50



XYDTS60



XYDTS90



Material: Aluminum Alloy
Surface Treatment: Black Anodize

See the CAD data for the details.

Actual products may differ from the photos. Please see the CAD data for specific details.

XY-Axis Stages High Precision Stage Existing Product: XYWG P.2046

Part Number	Stage (mm)	Travel Distance (mm)	Travel per Rotation (mm)	Load Capacity (N)	Travel Accuracy Straightness	Weight (kg)
XYDTS	50	50 x 30	±15	14.7	50 µm	0.33
	60	60 x 40	±20			0.42
	90	90 x 40	±35	24.5		0.57

Resolution (Vernier Scale Indication): 0.1 mm/division

Knob Cover HDCVR15 (Sold Separately): (-: Ø15 knobs -) Ø15 knobs of Dovetail Stages can be increased in diameter by installing the cover. P.2011

Standard Type: XYDTS P.2012



Part Number Example

Part Number
XYDTS90