

[Standard] Dovetail Rack & Pinion Type

X-Axis Standard / X-Axis Long

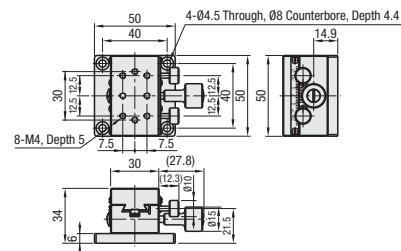
Travel per Rotation	Small	Medium	Large
Stroke	Short	Medium	Long
Load Capacity	Light	Medium	Heavy

X-Axis Standard

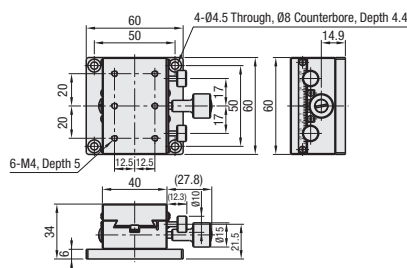


RoHS10

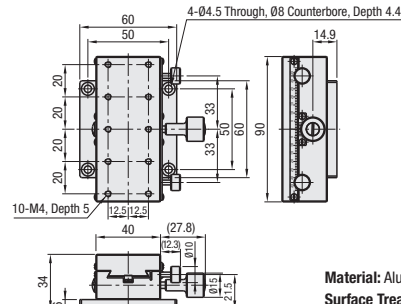
XDT50



XDT50



XDT90



Material: Aluminum Alloy
Surface Treatment: Black Anodize

X-Axis Stages Ⓢ Low Profile Type: XDTSC P.2011 Ⓢ High Precision Stage Product: XWG P.2021

Part Number Type	Stage Surface (mm)	Travel Distance (mm)	Travel per Knob Rotation (mm)	Load Capacity (N)		Max. Holding Force (N) (Reference)	Travel Accuracy Straightness	Weight (kg)	
				Horizontal	Vertical				
XDT5	50	30 x 50	±16	16.7	29.4	14.7	30	50 μm	0.20
	60	40 x 60	±21		60	50 μm	0.26		
	90	40 x 90	±35		70	50 μm	0.36		

Part Number Example XDT50

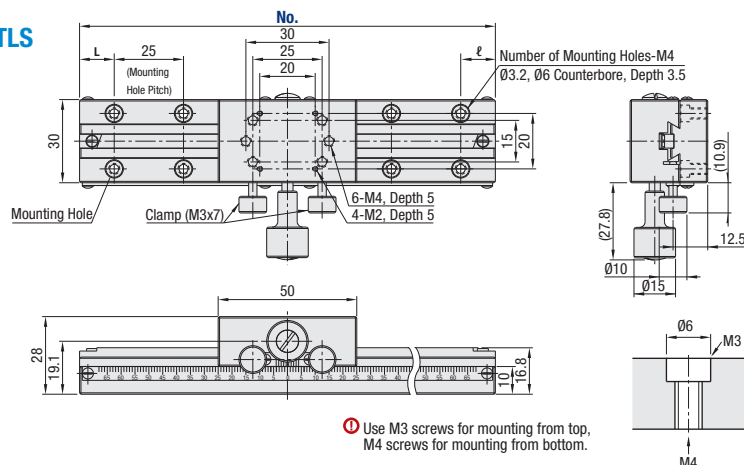
- Ⓢ Max. Holding Force will vary depending on the tightening torque variations. Ensure adequate safety margins for design.
- Ⓢ Resolution (Vernier Scale Indication): 0.1 mm/division
- Ⓢ Knob Cover HDCVR15 (Sold Separately): Ø15 knobs can be increased in diameter by installing the cover. P.2011

X-Axis Long



RoHS10

XDTLS



Material: Aluminum Alloy
Surface Treatment: Black Anodize

Ⓢ Use M3 screws for mounting from top, M4 screws for mounting from bottom.

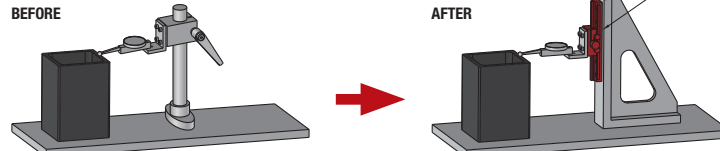
X-Axis Stages Ⓢ High Precision Stage Product: XLWG P.2025

Part Number Type	Stage Surface (mm)	Travel Distance (mm)	Travel per Knob Rotation (mm)	Number of Mounting Holes (Qty.)	ℓ	Load Capacity (N)		Travel Accuracy Straightness	Weight (kg)		
						Horizontal	Vertical				
XDTLS	30 x 50	±30	16.7	6	15	29.4	14.7	50 μm	0.15		
										8	0.18
										12	0.23
										16	0.30

Part Number Example XDTLS100

- Ⓢ Resolution (Vernier Scale Indication): 0.1 mm/division
- Ⓢ Knob Cover HDCVR15 (Sold Separately): Ø15 knobs can be increased in diameter by installing the cover. P.2011

Application Example



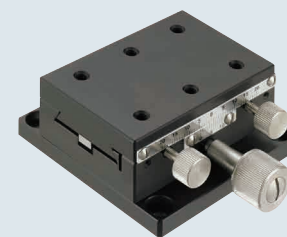
There's more on the web: misumiusa.com

[Standard] Dovetail Rack & Pinion Type / Knob Cover

X-Axis Low Profile

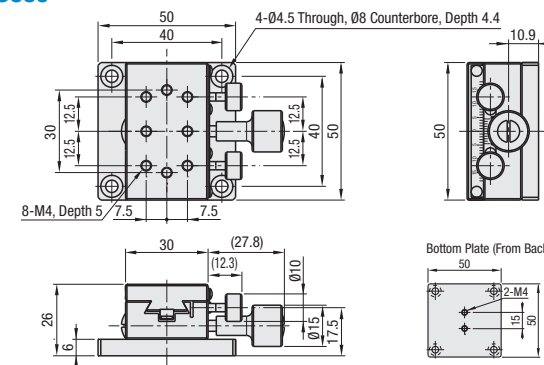
Travel per Rotation	Small	Medium	Large
Stroke	Short	Medium	Long
Load Capacity	Light	Medium	Heavy

X-Axis Low Profile

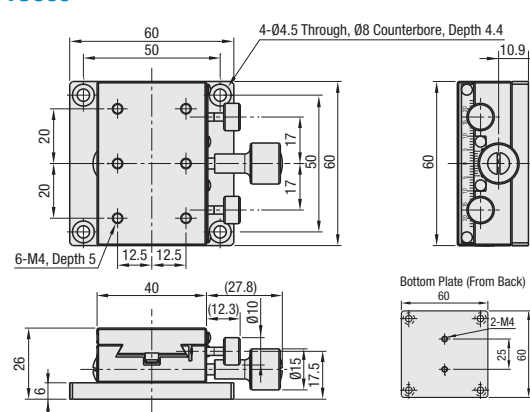


RoHS10

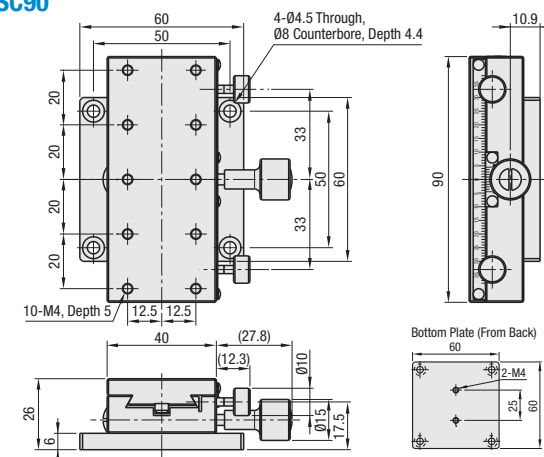
XDTSC50



XDTSC60



XDTSC90



Material: Aluminum Alloy
Surface Treatment: Black Anodize

- Ⓢ See the CAD data for the details.
- Ⓢ Actual products may differ from the photos. Please see the CAD data for specific details.

Part Number Type	Stage Surface (mm)	Travel Distance (mm)	Travel per Knob Rotation (mm)	Load Capacity (N)		Max. Holding Force (N) (Reference)	Travel Accuracy Straightness	Weight (kg)
				Horizontal	Vertical			
XDTSC	50	50 x 30	±15	16.7	19.6	9.8	10	0.17
	60	60 x 40	±20		29.4	14.7	20	0.21
	90	90 x 40	±35		40	40	0.28	

- Ⓢ Max. Holding Force will vary depending on the tightening torque variations. Ensure adequate safety margins for design.
- Ⓢ Resolution (Vernier Scale Indication): 0.1 mm/division
- Ⓢ Knob Cover HDCVR15 (Sold Separately): Feature: Ø15 knobs of Dovetail Stages can be increased in diameter by installing the cover. P.2011
- Ⓢ Standard Type: XDT5 P.2010

Part Number Example XDTSC50

Features: Knob diameter can be increased by attaching the cover on Ø15 knobs. See below for the list of compatible stages.

Knob Covers HDCVR15

Material: Aluminum Alloy
Surface Treatment: Black Anodize

Part Number Type	No.	Applicable Stage
HDCVR	15	XWG (P.2021) / XYWG (P.2046) / ZWG (P.2060) / XLWG (P.2025) / ZLWG (P.2062) / XSP (P.2020) (Handle dia. Ø15) / XDT5 (P.2010) / XDTLS (P.2012) / ZDT5 (P.2014) / XDTLS (P.2010) / ZDTLS (P.2014) (Knob Dia. Ø15)

*Three Knob Covers (HDCVR15) come in a package per order.

Check out misumiusa.com for the most current pricing and lead time.