

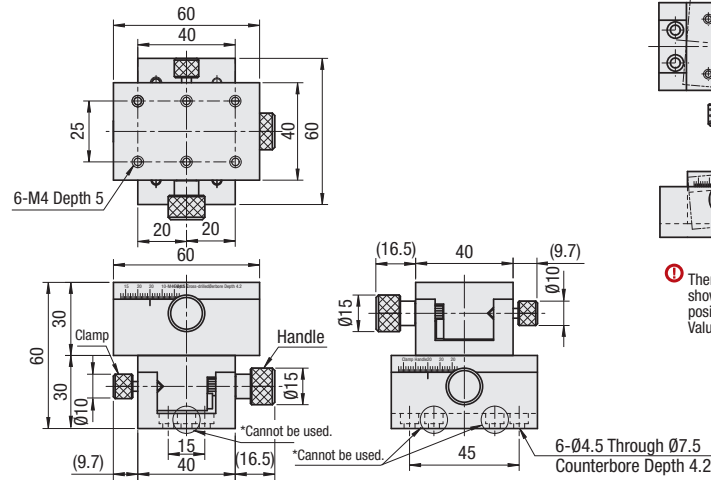
Simplified Adjustments (XY Axes Rack & Pinion)

Standard Type

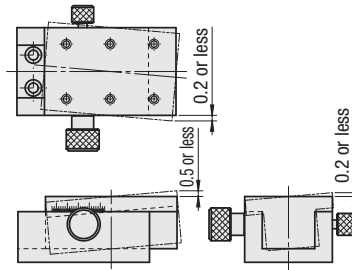
Simplified Adjustments (XY Axes Rack & Pinion) – Standard Type



XYKR60



Accuracy Standards



ⓘ There are some mechanical clearances, as shown above, that are not recommended for positioning applications requiring accuracies. Values are for single-axis configuration.

ⓘ Travel per Rotation: approx. 19 mm

RoHS10

ⓘ Not suitable for precise positioning (See Accuracy Standards Chart)
ⓘ Minimum Graduation 0.5 mm (Dimensions when scale is set at 0)

*For XY Stacking, these counterbored holes are NOT useable since permanently covered by the table top plate.

Part Number		Stage Surface (mm)	Travel Distance (mm)	Load Capacity (N)	Weight (kg)
Type	No.				
XYKRG	60	40 x 60	±14	34.3	0.42

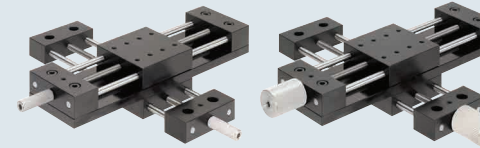
ⓘ Travel Per Rotation: 19 mm approx.

Part Number Example: **XYKR60**

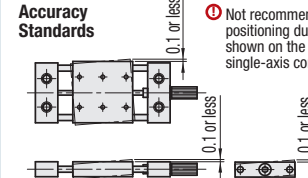
Simplified Adjustments (XY Axes Push Screw)

Large Lead Type – Standard Handle / Large Handle Selectable

Simplified Adjustments (XY Axes Push Screw) – Large Lead Type

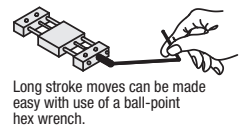


Accuracy Standards



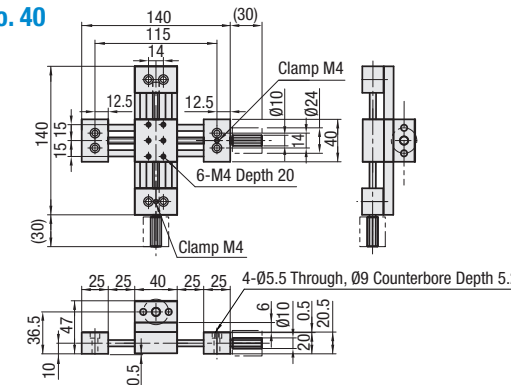
ⓘ Not recommended for precise positioning due to its clearance shown on the left. Values are for single-axis configuration

Application Example

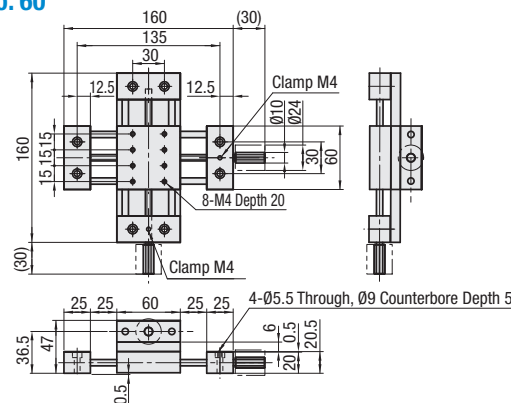


Type		Main Body		Shaft	Knob	Feed Screw	Accessories
Standard Handle	Large Handle	Material	Surface Treatment	Material	Material	Material	
XYKS	XYKSL	Aluminum Alloy	Black Anodize	304 Stainless Steel	303 Stainless Steel	304 Stainless Steel	SCB5-20 x 4 Pcs.

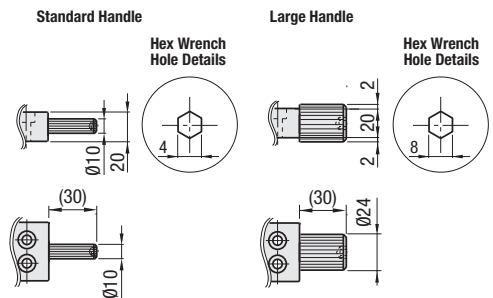
No. 40



No. 60

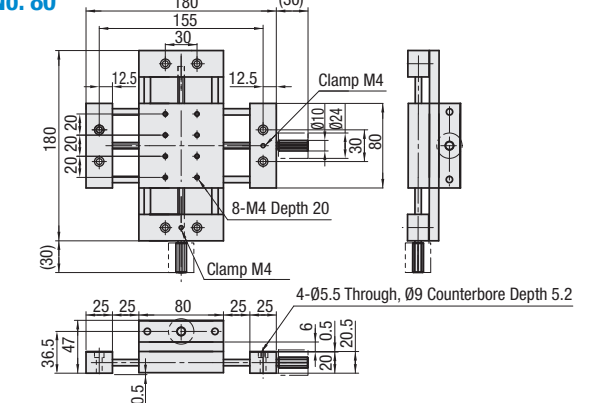


Handle Shape Comparisons



ⓘ When the large handle is selected, the handle diameter will exceed the end plate height. Please be aware of potential interferences.

No. 80



ⓘ Do not force the handwheel to turn past the end of the travel limits as it may cause the handwheel to come loose.

Part Number			Stage Surface (mm)	Travel Distance (mm)	Load Capacity (N)	Weight (kg)
Type	No.	Large Handle Selected				
Standard Handle XYKS	40	Large Handle Top & Bottom L	40 x 40	±25	62.7	0.66
	60	Large Handle Top Only A	60 x 60	±25	62.7	1.17
Large Handle XYKSL	80	Large Handle Bottom Only B	80 x 80	±25	56.8	1.64

ⓘ Travel Per Rotation: 3.0 mm

Part Number Example: **XYKS40**
XYKSL60L

Part Number Alterations: **XYKSL40A** - **MMR**

Alterations	Mounting of a Scaled Plate on the Stage	Change of Clamp (Knurled Knob)																								
Code	MMR	CLC																								
Spec.	<p>Scaled Plate will be mounted.</p> <p>ⓘ Minimum Graduation: 0.5 mm</p> <p>The accessory screws will be changed as shown on the below right.</p> <p>ⓘ MMR alteration will change the mounting hole pitch since a plate is attached to the edge.</p> <table border="1"> <thead> <tr> <th>No.</th> <th>P₁</th> <th>P₂</th> <th>d₁</th> <th>d₂</th> <th>ℓ</th> </tr> </thead> <tbody> <tr> <td>40</td> <td>65</td> <td>14</td> <td>4.5</td> <td>7.5</td> <td>3</td> </tr> <tr> <td>60</td> <td>85</td> <td>30</td> <td>4.5</td> <td>7.5</td> <td>3</td> </tr> <tr> <td>80</td> <td>105</td> <td>30</td> <td>4.5</td> <td>7.5</td> <td>3</td> </tr> </tbody> </table> <p>Accessories (4 Pcs.): No. 40: CBSST4-8 No. 60: CBSST4-8</p>	No.	P ₁	P ₂	d ₁	d ₂	ℓ	40	65	14	4.5	7.5	3	60	85	30	4.5	7.5	3	80	105	30	4.5	7.5	3	<p>Changes Clamp Screw to Knurled Knob.</p> <p>Changes are for both X and Y axes.</p>
No.	P ₁	P ₂	d ₁	d ₂	ℓ																					
40	65	14	4.5	7.5	3																					
60	85	30	4.5	7.5	3																					
80	105	30	4.5	7.5	3																					