


Switch Probes

Terminals for Probes / Heat-Shrink Tubes

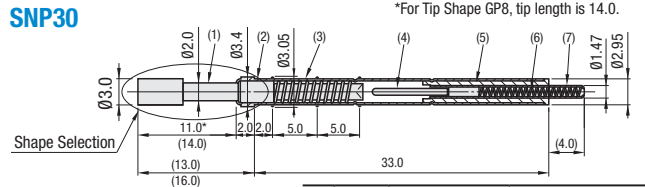
Switch Probes



RoHS10

SNP30

*For Tip Shape GP8, tip length is 14.0.

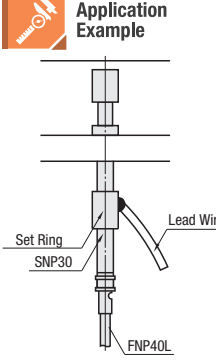


Shape Selection

No.	Parts	Material	Surface Treatment
(1)	Plunger	Brass	Gold Plating on Nickel Undercoat
(2)	Barrel	Brass	Electroless Nickel Plating
(3)	Spring	Stainless Steel	—
(4)	Plunger	C1730B	Gold Plating on Nickel Undercoat
(5)	Sleeve	Polyacetal	—
(6)	Spring	SWP	Gold Plating
(7)	Pipe	C2700 Brass (JIS)	Gold Plating on Nickel Undercoat

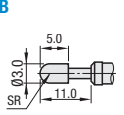
Material: Brass
Accessories: Set Ring
Surface Treatment: Gold Plating on Nickel Undercoat

Application Example

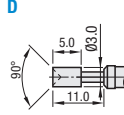


SNP30 Tip Shapes ⚠ If the Tip Shape S probe is fully stroked and lateral load applied, the steps on the plunger shaft may hinder the returning action.

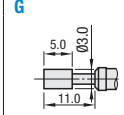
B



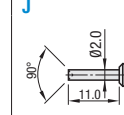
D



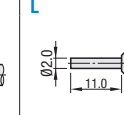
G



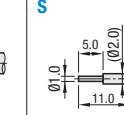
J



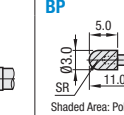
L



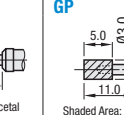
S



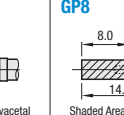
BP



GP




GP8



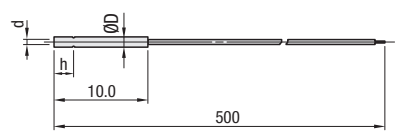
Part Number	Full Stroke	Operating Point	Spring Pressure		Maximum Operating Voltage	Replacement Cycle (Reference)	Mounting Hole for Press-Fitting Dimension (Reference)
			Initial	2/3 Stroke			
SNP30	6.0 mm	1.0 mm from Tip	10 gf	80 gf	15V	100,000 times	3.00–3.03 mm

Switch Probes – Terminals for Probes



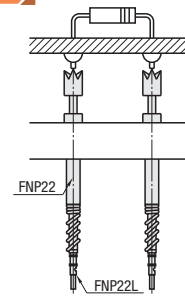
RoHS10

TNR8 TNR13




Material: Brass Surface Treatment: Gold Plating on Nickel Undercoat

Application Example

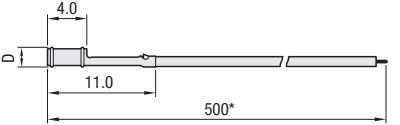


Part Number	Lead Wire Color	Applicable Probes / Receptacles	D	d	h	Lead Wire Standards	
						Outer Diameter	Lead
TNR8	W White R Red BL Blue	NR45ST NR45T GNP12	1.05	0.84	2.0	(Ø0.6)	Ø0.12 x 7 pcs.
TNR13		FNP13 FNP13HD	1.7	1.35	3.0	(Ø1.0)	Ø0.08 x 40 pcs.

Switch Probes – Terminals for Probes

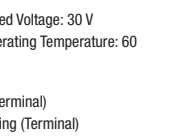


FNP22L FNP40L



Material: Phosphor Bronze (Terminal)
Surface Treatment: Silver Plating (Terminal)

Application Example




Part Number	Lead Wire Color Selectable	D	Applicable Probes, Receptacles		
			NP16	FNP10HD	FNP10
FNP22L	B Black W White Y Yellow G Green R Red OR Orange P Purple BL Blue GR Gray BR Brown N Terminal Only*	2	NR120T FNP22SF FNPS22	FNP22SF FNPS22HD	FNP10 FNP22
FNP40L		2.6	NR604-B FNP40SF FNPS35	NR60-B FNP40 FNPS35HD	NR84-B SNP30

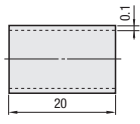
Part Number Example

Part Number: SNP30 - Tip Shape: B - Lead Wire Color: BL

Switch Probes – Heat-Shrink Tubes



THUS (Black)



Material: Electron Beam Cross-Bridge Soft Polyolefin Resin

Part Number Example


Part Number: THUS1.0

Part Number	Standard Dimension				Dia. After Complete Shrinking		
	Type	Nominal No.	Inner Dia.	Thickness	Length	Inner Dia. (max)	Thickness (min)
THUS (Black)	0.8	0.8±0.25	0.1	20		0.4	0.25
	1.0	1.4±0.25				0.5	
	1.5	1.9±0.25				0.75	
	2.0	2.3±0.25				1.0	

Circuit Board

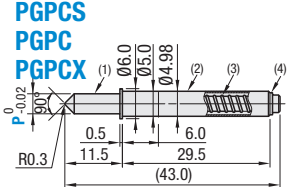
Guide Pins / Pusher Pins / Rough Guides

Circuit Board Guide Pins

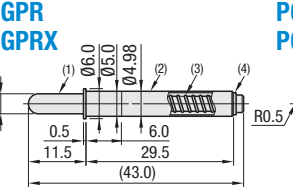


RoHS10

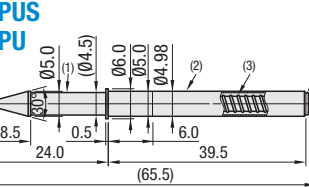
**PGPCS
PGPC
PGPCX**



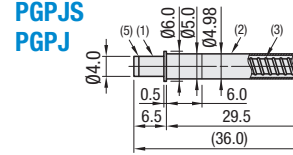
**PGPR
PGPRX**



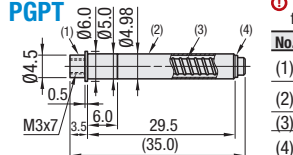
**PGPUS
PGPU**



**PGPJS
PGPJ**



PGPT



⚠ There is a taper of 0–0.02 mm from the bottom of the flange to the end.

No.	Part	Material	Surface Treatment
(1)	Shaft	*Brass	Electroless Nickel Plating
(2)	Sleeves	Brass	Electroless Nickel Plating
(3)	Spring	304 Stainless Steel	—
(4)	Retaining Ring-E Type Head	304 Stainless Steel	—
(5)		Polyacetal	—


⚠ Guide pins extrude as much as the stroke to the other side except PGPJ...
*When P dimension is 1.0–1.9, the material of shaft is Carbon Steel.

Part Number	P	Full Stroke	Load		Mounting Hole Dimensions (Reference)	
			min	max	Resin Plate Type (Press Fit)	Metal Plate Type (Adhesion)
PGPCS	1.0–4.5	11 mm	70 fg	200 fg	4.98–5.00 mm	5.00–5.02 mm
PGPC			100 fg	450 fg		
PGPCX			200 fg	600 fg		
PGPR			70 fg	200 fg		
PGPRX			200 fg	600 fg		
PGPUS	—	15 mm	75 fg	200 fg	4.98–5.00 mm	5.00–5.02 mm
PGPU		91 fg	450 fg			
PGPJS		6 mm	150 fg	230 fg		
PGPJ	—	3 mm	200 fg	400 fg	—	—
PGPT	—	3 mm	215 fg	340 fg	—	—

Part Number Example

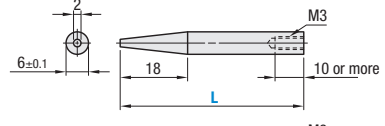
Part Number: PGPR - P: 4.0

Circuit Board Pusher Pins

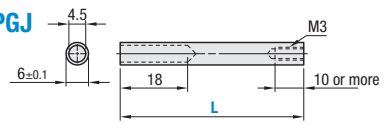


RoHS10

CPTJ



CPGJ



Material: Polyacetal (White)


Part Number	L 1 mm Increment
CPTJ	49–54
CPGJ	

⚠ Similar Products P.1627 Work Pusher Pins

Part Number Example

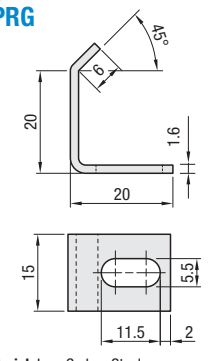
Part Number: CPTJ - L: 51

Circuit Board Rough Guides



RoHS10

CPRG



Material: Low Carbon Steel
Surface Treatment: Electroless Nickel Plating

Part Number Example

Part Number: CPRG

Application Example

