

Contact Probes / Receptacles

Minimum Mounting Pitch 2.0 / 2.54 mm Series

Contact Probes – Minimum Mounting Pitch 2.0mm

NP120
NP120HD

Receptacles – Minimum Mounting Pitch 2.0mm

NR120
NR120T
(Terminal Type)
Applicable Terminal P.1980

RoHS 10

Contact Probes

No.	Part	Material	Surface Treatment
(1)	Plunger	W1-9 Tool Steel	Rhodium Plating on Nickel Undercoat
(2)	Barrel	Brass	Gold Plating on Nickel Undercoat
(3)	Spring	SWP	Gold Plating

Receptacles

No.	Material	Surface Treatment
(4) (5)	Brass	Gold Plating on Nickel Undercoat

⊕ The receptacle has a stopper that prevents the probe from falling out.

NP120 / NP120HD Tip Shapes

A (Quartered)	B	C	D	E	G	H (Quartered)	J	N
----------------------	----------	----------	----------	----------	----------	----------------------	----------	----------

Contact Probes – Minimum Mounting Pitch 2.54mm

TP604
NP604
NP604HD

Receptacles – Minimum Mounting Pitch 2.54mm

NR604

RoHS 10

Contact Probes

No.	Part	Material	Surface Treatment
(1)	Plunger	C1730B	Rhodium Plating on Nickel Undercoat
(2)	Barrel	German Silver	Gold Plating on Nickel Undercoat
(3)	Spring	*Stainless Steel	—

* For NP604HD, the material of spring is SWP.
* For TP604, the ball material is brass.

Receptacles

Material	Surface Treatment
Brass	Gold Plating on Nickel Undercoat

⊕ The receptacle has a stopper that prevents the probe from falling out.

TP604 Tip Shapes

D19	E19
------------	------------

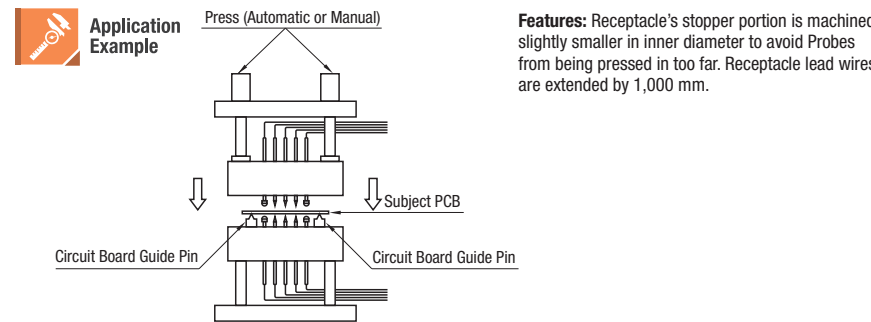
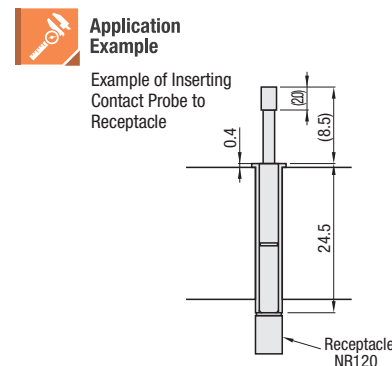
NR604 End Shapes

A Wire Wrap Type	B Solder / Swage / Terminal Type	C Solder Type
-------------------------	---	----------------------

Applicable Terminal P.1980

NP604 / NP604HD Tip Shapes

A	B	C	D19	E	ER
----------	----------	----------	------------	----------	-----------



Contact Probes / Receptacles

Minimum Mounting Pitch 2.54 mm Series

Contact Probes – Minimum Mounting Pitch 2.54mm

NP60SF
NP60S
NP60
NP60H
NP60HD

Receptacles – Minimum Mounting Pitch 2.54mm

NR60

RoHS 10

Contact Probes

No.	Part	Material	Surface Treatment
(1)	Plunger	W1-9 Tool Steel	Rhodium Plating on Nickel Undercoat
(2)	Barrel	Brass	Gold Plating on Nickel Undercoat
(3)	Spring	SWP	Gold Plating

Receptacles

Material	Surface Treatment
Brass	Gold Plating on Nickel Undercoat

⊕ Receptacle comes with Probe retaining feature.

NP60SF / NP60S / NP60 / NP60HD Tip Shapes ⊕ Tip Shape J is not available for NP60HD. *For Tip Shape C, the material of plunger is W1-9 Tool Steel.

A	A20	A24	B	C	D
E	G	H (Quartered)	J	M	N

NP60H Tip Shapes

AH	SH	TH
-----------	-----------	-----------

NR60 End Shapes Applicable Terminal P.1980

A Wire Wrap Type	B Solder / Crimp / Terminal Type	C Solder Type
-------------------------	---	----------------------

Contact Probes

Part Number	Mounting Pitch (min.)	Full Stroke (mm)	Spring Pressure		Allowable Current	Resistance	Replacement Cycle (Reference)
			Initial	2/3 Stroke			
NP120	2.0 mm	6.5	15 fg	50 fg	1.5A	80 mΩ	250,000 times
NP120HD			25 fg	100 fg			
TP604	2.54 mm	4	36 fg	100 fg	1.5A	80 mΩ	300,000 times
NP604			10 fg	110 fg			
NP604HD			39 fg	160 fg			
NP60SF			20 fg	50 fg			
NP60S	2.54 mm	6.4	20 fg	100 fg	1.5A	80 mΩ	300,000 times
NP60			30 fg	150 fg			
NP60H			170 fg	100,000 times			

Receptacles

Part Number	Matching Contact Probe	Mounting Hole for Press-Fitting Dimension (Reference)
NR120	NP120	1.48–1.49 mm
NR120T	NP120HD	1.62–1.64 mm
NR604	TP604 NP604 NP604HD	1.78–1.79 mm
NR60	NP60SF NP60S NP60 NP60H NP60HD	1.78–1.79 mm

⊕ For NR604 and NR60, please select the end shape.

Receptacles with Lead Wire

RoHS 10

Part Number	Lead Wire Color	Lead Wire Length (mm)	Lead Wire	Lead	Receptacle Used
NRB120	W White R Red BL Blue	400 1000	∅1.0	∅0.08 x 40 pcs.	NR120
NRB604			∅1.0	∅0.08 x 40 pcs.	NR604-C
NRB60			∅1.0	∅0.08 x 40 pcs.	NR60-C

Part Number Example

Part Number	Tip (End) Shape	Lead Wire Color	Lead Wire Length
NP120	D		
NP60SF	B		
NR120	B		
NR604	B		
NRB120		W	1000
NRB604		W	400