


NC Blocks

Standard Rectangular Shaped 3 Holes Sideholes

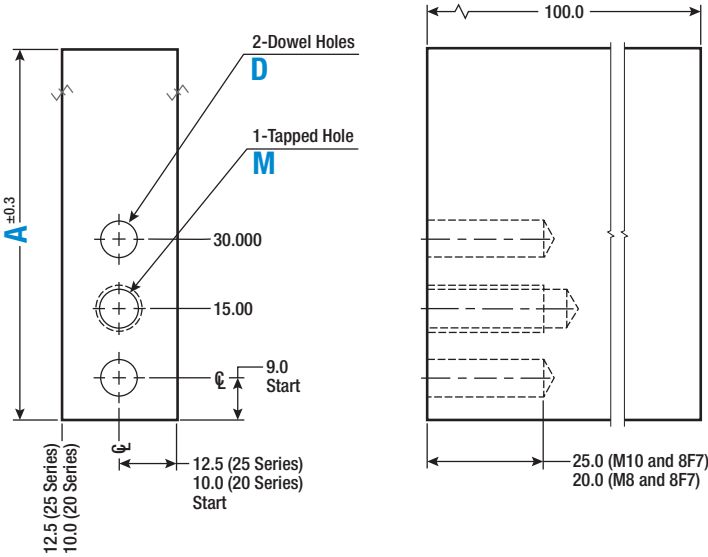


3D CAD is available online.

P/N Marking →

Type	Material	Coating
ANR	4140 Alloy Steel	Black Oxide
	304 Stainless Steel	—

Tolerance					
Dim.	Tol.	Finish (Ra)	Geometric		
0.0	±0.3	6.0 μm			0.015 T.I.R
0.00	±0.03	3.0 μm			
0.000	±0.02	1.6 μm			



Standard NAAMS (25 mm Series, NC Rectangular Block)					
Type	Hole Selection (A) / Material		A Length	D Dowel Hole	
	M10			Tolerance	
	4140	304			
ANR	230	231	80.0	8F7	+0.013 / +0.028
	232	233	120.0		

M10 (M10 x 1.5 Tapped Hole), N11 (Ø11 Through Hole). Standard NAAMS specifications are controlled by the NAAMS organization and the latest version of these products will be produced in compliance to: www.naamsstandards.org.

Standard NAAMS (20 mm Series, NC Rectangular Block)					
Type	Hole Selection (A) / Material		A Length	D Dowel Hole	
	M8			Tolerance	
	4140	304			
ANR	320	321	80.0	8 F7	+0.013 / +0.028
	322	323	120.0		


M8 (M8 x 1.25 Tapped Hole), N9 (Ø9 Through Hole). Standard NAAMS specifications are controlled by the NAAMS organization and the latest version of these products will be produced in compliance to: www.naamsstandards.org.

Part Number Example

Type	Specification
ANR	230
ANR	321

NC Blocks

Standard Rectangular Shaped 4 Holes

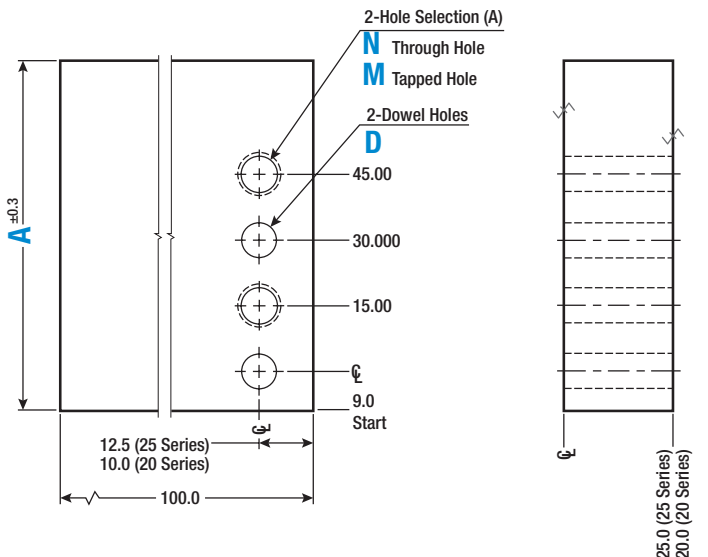


3D CAD is available online.

P/N Marking →

Type	Material	Coating
ANR	4140 Alloy Steel	Black Oxide
	304 Stainless Steel	—

Tolerance					
Dim.	Tol.	Finish (Ra)	Geometric		
0.0	±0.3	6.0 μm			0.015 T.I.R
0.00	±0.03	3.0 μm			
0.000	±0.02	1.6 μm			



Standard NAAMS (NC Rectangular Block, 25 mm Series)							
Type	Hole Selection (A) / Material				A Length	D Dowel Hole	
	M10		N11			Tolerance	
	4140	304	4140	304			
ANR	140	141	142	143	80.0	8F7	+0.013 / +0.028
	144	145	146	147	120.00		

M10 (M10 x 1.5 Tapped Hole), N11 (Ø11 Through Hole). Standard NAAMS specifications are controlled by the NAAMS organization and the latest version of these products will be produced in compliance to: www.naamsstandards.org.

Standard NAAMS (NC Rectangular Block, 20 mm Series)							
Type	Hole Selection (A) / Material				A Length	D Dowel Hole	
	M8		N9			Tolerance	
	4140	304	4140	304			
ANR	440	441	442	443	80.0	6F7	+0.010 / +0.022
	444	445	446	447	120.0		
	301	302	303	304	80.0	8F7	+0.013 / +0.028
	305	306	307	308	120.00		

M8 (M8 x 1.25 Tapped Hole), N9 (Ø9 Through Hole). Standard NAAMS specifications are controlled by the NAAMS organization and the latest version of these products will be produced in compliance to: www.naamsstandards.org.

Part Number Example

Type	Specification
ANR	140
ANR	440