


Respot Pins

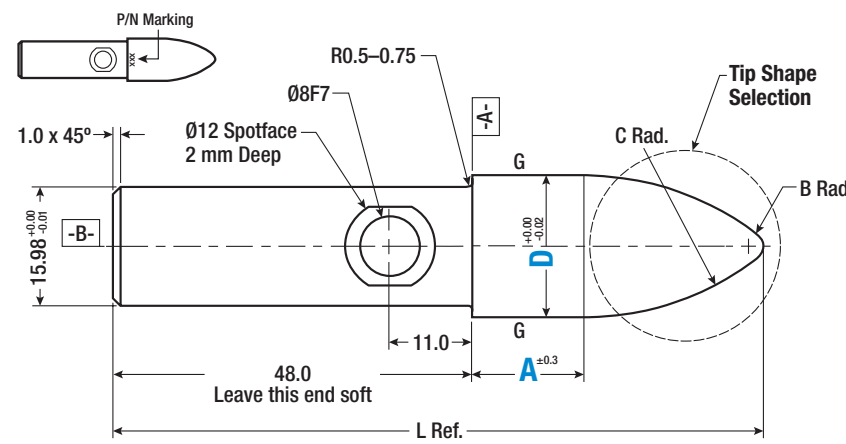
ARP-R Large Head



Type	Coating	Material	Hardness
ARP	Standard NAAMS T - TiN	8620 Alloy Steel (JIS SNCM220)	Carburized 58-62 HRC min. (Depth 0.5-0.7 after Grinding)
ARPL	A Configurable P - Plain T - TiN		

Tolerance			
Dim.	Tol.	Finish (Ra)	Geometric
0.0	±0.3	6.0 μm	⊥ 0.015 T.I.R to Datum A & B
0.00	±0.03	3.0 μm	
0.000	±0.015	1.6 μm	⊙ 0.03 T.I.R

3D CAD is available online.



Tip Shape Selection		
A Shape	Bullet	
B Shape	Half Bullet	
C Shape	Sphere	

$$L \text{ ref.} = 48 + A + \sqrt{D \left(C - \frac{D}{4} \right)}$$

Standard NAAMS Pins															
Type	D Head Callout	A Lead Length										Retractable	Coating (Optional)	B Rad	C Rad
		15 mm	20 mm	30 mm	40 mm	50 mm	60 mm	70 mm	80 mm	90 mm	100 mm				
ARP	19 (18.72)	1	2	3	4	5	6	7	8	9	0	R - Retractable	None - Plain T - TiN	2.0	38.0
	25 (24.72)	1	2	3	4	5	6	7	8	9	0				50.0

Standard NAAMS specifications are controlled by the NAAMS organization and the latest version of these products will be produced in compliance to: www.naamsstandards.org.

Configurable NAAMS (A Configurable)								
Type	Coating	Tip Shape	D Head Dia. Callout (Actual)	A Lead Length (1 mm Inc.)	B Rad	C Rad		
						Tip A	Tip B	Tip C
ARPL	P - Plain T - TiN	A B C	19 (18.72)	5-100	2.0	38.0	19.0	D/2
			25 (24.72)			50.0	25.0	

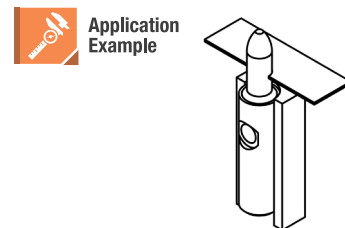
Part Number Example

Standard

Part Number	D	A	Retractable	Coating
ARP	19	4	R	T
ARP	25	0	T	T


Configurable

Part Number	Coating	Tip Shape	D	A
ARPL	P	A	19	A42
ARPL	T	C	25	A99



Locating Pins

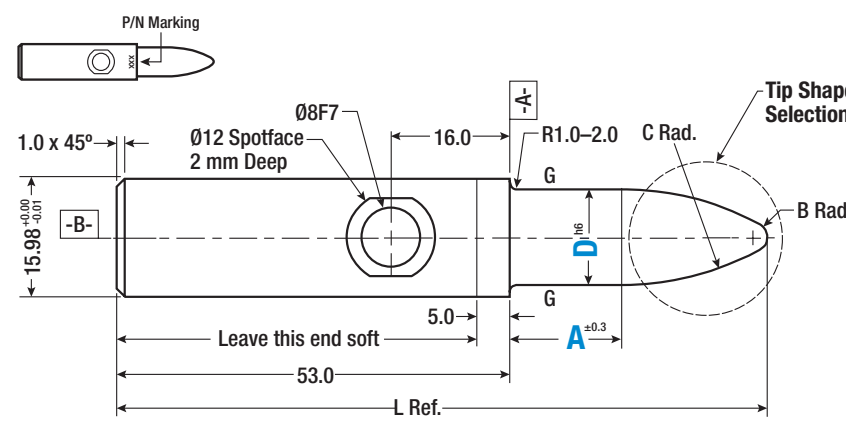
APQ-R Small Head



Type	Coating	Material	Hardness
APQ	Standard NAAMS T - TiN	8620 Alloy Steel (JIS SNCM220)	Carburized 58-62 HRC min. (Depth 0.5-0.7 after Grinding)
APQRS	A Configurable P - Plain T - TiN		

Tolerance			
Dim.	Tol.	Finish (Ra)	Geometric
0.0	±0.3	6.0 μm	⊥ 0.015 T.I.R to Datum A & B
0.00	±0.03	3.0 μm	
0.000	±0.015	1.6 μm	⊙ 0.03 T.I.R

3D CAD is available online.



Tip Shape Selection		
A Shape	Bullet	
B Shape	Half Bullet	
C Shape	Sphere	

$$L \text{ ref.} = 53 + A + \sqrt{D \left(C - \frac{D}{4} \right)}$$

Standard NAAMS Pins													
Type	D Head Callout	A Lead Length								Retractable	Coating (Optional)	B Rad	C Rad
		10 mm	15 mm	25 mm	35 mm	45 mm	55 mm	65 mm	75 mm				
APQ	08	1	2	3	4	5	6	7	8	R - Retractable	None - Plain T - TiN	2.0	24.0
	10	1	2	3	4	5	6	7	8				30.0
	13	1	2	3	4	5	6	7	8				39.0

Standard NAAMS specifications are controlled by the NAAMS organization and the latest version of these products will be produced in compliance to: www.naamsstandards.org.

Configurable NAAMS (A Configurable)								
Type	Coating	Tip Shape	D Head Callout	A Lead Length (1 mm Inc.)	B Rad	C Rad		
						Tip A	Tip B	Tip C
APQRS	P - Plain T - TiN	A B C	08	5-100	2.0	24.0	12.0	D/2
			10			30.0	15.0	
			13			39.0	19.5	

Part Number Example

Standard

Part Number	D	A	Retractable	Coating
APQ	08	4	R	T

Configurable

Part Number	Coating	Tip Shape	D	A
APQRS	T	A	8	A42

