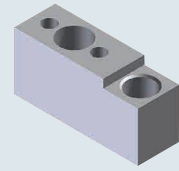


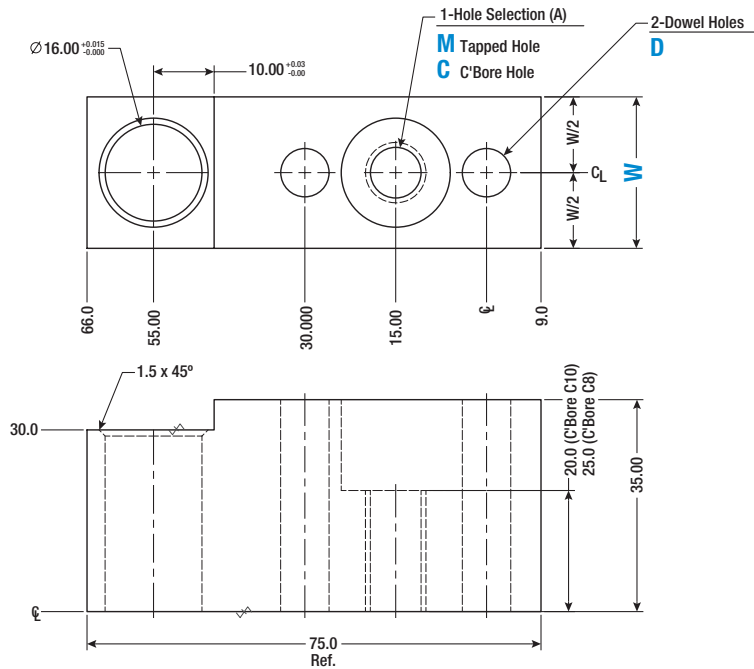
Pin Retainers

Standard I-3 Facehole



3D CAD is available online.

Type	Material	Finish	Tolerance			
			Dim.	Tol.	Finish (Ra)	Geometric
APR	A-36 Steel	Black Oxide	0.0	±0.3	6.0 μm	Surfaces 0.015 T.I.R
	304 Stainless Steel	—	0.00	±0.03	3.0 μm	
			0.000	±0.020	1.6 μm	



Standard NAAMS (25 mm Series Pin Retainers)						
Type	Hole Selection (A) / Material				W	D Dowel Hole
	M10		C10			
	A-36	304	A-36	304		
APR	060M	061M	062M	063M	25.0	8 H6 +0.000 / +0.009

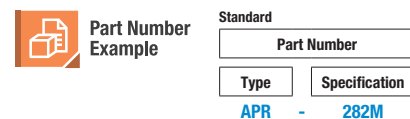
M10 (M10 x 1.25 Tapped Hole), C10 (C'Bore for M10 SHCS).

Standard NAAMS specifications are controlled by the NAAMS organization and the latest version of these products will be produced in compliance to: www.naamsstandards.org.

Standard NAAMS (20 mm Series Pin Retainers)						
Type	Hole Selection (A) / Material				W	D Dowel Hole
	M8		C8			
	A-36	304	A-36	304		
APR	265M	266M	267M	268M	30.0	8 F7 +0.013 / +0.028
	280M	281M	282M	283M	25.0	

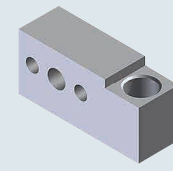
M8 (M8 x 1.25 Tapped Hole), C8 (C'Bore for M8 SHCS).

Standard NAAMS specifications are controlled by the NAAMS organization and the latest version of these products will be produced in compliance to: www.naamsstandards.org.



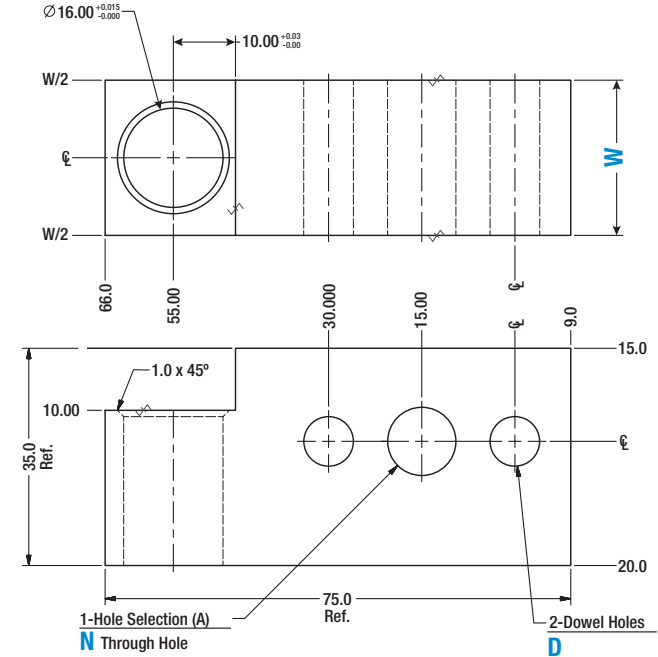
Pin Retainers

Standard I-3 Sidehole



3D CAD is available online.

Type	Material	Finish	Tolerance			
			Dim.	Tol.	Finish (Ra)	Geometric
APR	A-36 Steel	Black Oxide	0.0	±0.3	6.0 μm	Surfaces 0.015 T.I.R
	304 Stainless Steel	—	0.00	±0.03	3.0 μm	
			0.000	±0.020	1.6 μm	



Standard NAAMS (25 mm Series Pin Retainers)					
Type	Hole Selection (A) / Material		W	D Dowel Hole	Tolerance
	N11				
	A-36	304			
APR	050M	051M	25.0	8 H6	+0.000 / +0.009

N11 (Ø11.0 Through Hole).

Standard NAAMS specifications are controlled by the NAAMS organization and the latest version of these products will be produced in compliance to: www.naamsstandards.org.

Standard NAAMS (20 mm Series Pin Retainers)					
Type	Hole Selection (A) / Material		W	D Dowel Hole	Tolerance
	N9				
	A-36	304			
APR	260M	261M	30.0	8 F7	+0.013 / +0.028
	276M	277M	25.0		

N9 (Ø9.0 Through Hole).

Standard NAAMS specifications are controlled by the NAAMS organization and the latest version of these products will be produced in compliance to: www.naamsstandards.org.

