


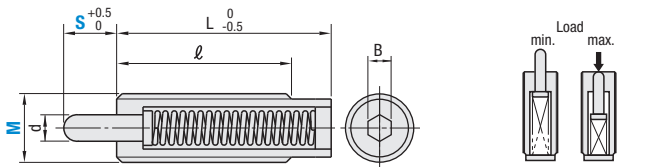
# Spring Plungers / Wrenches for Spring Plungers

Stainless Steel



RoHS10


Load Category	Type	Body		Nose		Spring Material	Operating Temperature
		Material	Material	Material	Hardness		
Stainless Steel Nose	Ultra Light Load	PJLSW	304 Stainless Steel	440C Stainless Steel	55 HRC min.	631 Stainless Steel	-30~260°C
	Light Load	PJLW					
	Heavy Load	PJHW					
	Extra Heavy Load	PJXW					
Plastic Nose	Ultra Light Load	PJLSK	Polyacetal	—	—	631 Stainless Steel	-30~80°C
	Light Load	PJLK					
	Heavy Load	PJHK					
	Extra Heavy Load	PJJK					



kgf=Nx0.101972

Part Number	Type		M (Coarse)	S	d	ℓ	L	B	Ultra Light Load (PJLSW / PJLSK)		Light Load (PJLW / PJLK)		Heavy Load (PJHW / PJHK)		Extra Heavy Load (PJXW / PJJK)	
	min.	N Load							max.	min.	N Load	max.	min.	N Load	max.	min.
Stainless Steel Tip	3	1.5	1.0	1.5	15	15	0.9	0.12	0.4	0.4	1.3	0.8	2.94	1.1	3.42	
		3														0.12
	4	2	1.6	15	15	15	1.3	0.27	0.65	0.9	2.0	2.0	8.8	6.1	13.8	
		4														0.18
	5	3	2.0	20	20	20	1.5	0.4	3	1.4	9.7	2.7	16.3	6.8	22.0	
		5														0.35
6	3	2.5	25	25	25	2	1.8	3.05	6.0	9.8	8.0	26.4	15.8	35.6		
	5														1.5	3.05
Plastic Tip	8	3.1	25	25	25	2.5	1.9	3.15	6.0	9.9	14.7	27.0	21.9	36.3		
															5	1.4
10	5	3.8	30	30	30	3	1.6	4.6	5.7	14.7	8.2	45.7	24.5	58.6		
	10														1.6	4.6
12	5	5.5	30	30	30	4	1.7	4.7	5.8	14.7	8.2	49.0	34.9	63.6		
	10														1.6	4.7
16	15	8.0	35	57	57	5	2.8	10.8	9.2	34.2	18.9	68.5	38.7	88.4		
															2.6	10.8
	15						35	57	2.6	10.8	8.6	34.4	14.4	68.6		
															20	2

⊕ Thread-locking adhesive is not applied. ⊖ Min. is the initial load, and max. is the load when the tip is fully compressed.



RoHS10

Material: 1045 Carbon Steel or Equivalent  
Surface Treatment: Black Oxide

Part Number		Applicable Plunger Sizes
Type	No.	
PJG	1	M5, M6
	2	M8, M10
	2A	M8, M10 (Flanged Type)
	3	M12
	4	M16
	5	M20, M24
6	M30	

## Applicable Spring Plungers

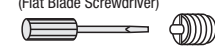
Type	Page
Steel Type	P.1755
Stainless Steel Type	P.1756
Tip Tapped Type	P.1760
Flat Tip Type	P.1762
For Inclined Surface Type	
Flanged Type	

**Part Number Example**


Part Number: PJLW12-5

**Application Example**


Spring Plungers M3 / M4 (Flat Blade Screwdriver)



Spring Plungers M5-M30 (Special Wrench PJG)

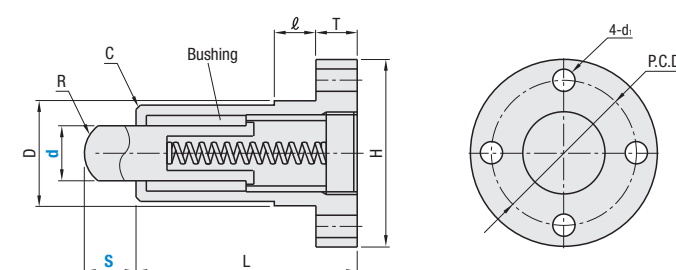


# Flanged Mounting Plunger



RoHS10

Type	Pin			Main Body		Bushing	Spring
	Material	Hardness	Surface Treatment	Material	Surface Treatment	Material	Material
GLPN	1045 Carbon Steel or Equivalent	50-55 HRC min.	Black Oxide	1045 Carbon Steel or Equivalent	Black Oxide	High-Tensile Brass Alloy Solid Lubricant Embedded	304 Stainless Steel WPB

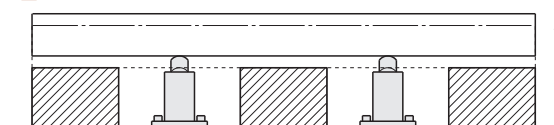


Part Number	Type	Stroke S	R	D	L	H	d <sub>1</sub>	P.C.D	T	C	ℓ	Load (N)	
												min.	max.
GLPN	6	5	4	14	32	30	4.5	22	8	1	5	18	29
		10			38							8	29
	8	5	5	16	38	32	5.5	24	8	1.5	8	22	30
		10			42							14	30
	10	10	6	20	48	40	6.5	30	8	2	10	26	47
		15			52							15	47
	12	15	8	22	52	42	8	32	10	2	10	27	48
		20			58							20	48
	16	15	10	28	60	52	10	40	10	2	10	42	73
		25			70							22	73
	20	20	12	32	70	56	12	44	10	2	10	48	86
		30			80							30	86

**Part Number Example**

Part Number: GLPN8 - 10  
GLPN16 - 25

**Application Example**



Features: Due to its structure plunger can also bear diagonal loads.