

Resin Locating Pins

Small Diameter / Bolt Fixing

Feature

Since this type has a metal core, it is less prone to be broken when used for locating with sides. Characteristic of resins P.3068-3069

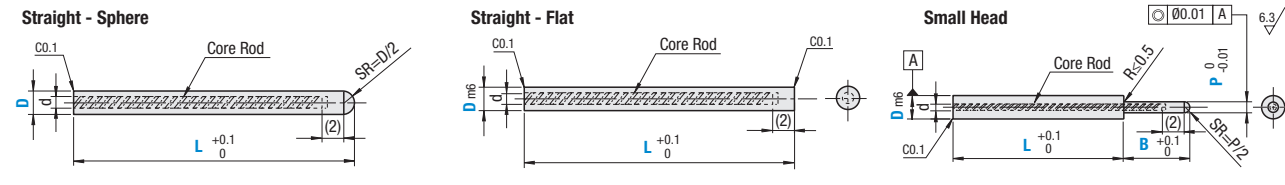
Resin Locating Pins - Small Diameter



RoHS 10

Part Number	Material Code	Material	d	K
SNS (Sphere - Tolerance Standard)	BB	Bakelite (Black)	0.4	8.5
SNP (Sphere - Tolerance Selectable)	PM	Polyacetal (White)	0.7	10
SPS (Flat - Tolerance Standard)	EC	Conductive MC Nylon CDR6 (Black)	1.0	16
SNSH (Small Head - Tolerance Standard)	PK	PEEK (Natural Ivory)		

- Some combinations are not available. Refer to the price list to select an available combination.
- Core Rod material is 304 Stainless Steel.
- There is a flat part of $\phi 0.2$ or below at the tip of Straight Type, Spherical Type and Small Head Type.
- MC Nylon of flat is not available.
- The outer diameter tolerance is the result of measurement at room temperature (20°C).



Core Rod Length

Straight, Sphere: The smaller of the following: $L-(D/2+(2))$ or the value of column K in the table above

Straight, Flat: The smaller of the following: $L-(2)$ or the value of column K in the table above

Small Head: The smaller of the following: $(L+B)-(P/2+(2))$ or the value of column K in the table above

Sphere / Flat - Standard Tolerance

Part Number	Material Code	D	D Dimension	L	d
SNS (Sphere)	BB PM	1.0-2.0	+0.008	5.0-20.0	0.7
SPS (Flat)	EC (Sphere only) PK	2.1-3.0	+0.002		1.0

Sphere - Selectable Tolerance

Part Number	Material Code	D	L	d
SNP	BB PM PK	M (m6)	1.00-2.00	0.7
		G (g6)	2.01-3.00	
		H (h7)		1.0

Small Head - Standard Tolerance

Part Number	Material Code	D	D Tolerance	L	P	B	d
SNSH	PM EC	1.1-2.0	+0.008	5.0-18.5	1.0-1.9	1.5-10.0	0.4
		2.1-3.0	+0.002		1.0-2.9		

When $D \leq 2$, $L+B \leq 15$ When $D > 2$, $L+B \leq 20$

Part Number Example

Part Number	D	L	P	B
SPSBB	D1.5	L7.5		
SNSHPM	D1.5	L10.0	P1.0	B1.5

Part Number Example

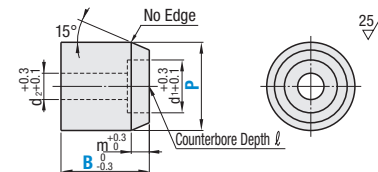
Part Number	P	B
JPAJ3	P8	B15

Resin Locating Pins - Bolt Fixing



RoHS 10

Type	Materials	Operating Ambient Temperature	
JPAJ (Standard Grade)	FPAJ (Precision Grade)	Polyacetal (White)	-45-95°C
JPEAJ (Standard Grade)	FPEAJ (Precision Grade)	PEEK (Natural Ivory)	-50-250°C



Part Number	Type	No.	P (Standard Grade)		P (Precision Grade)		B	m	d ₁	d ₂	ℓ	Applicable Screw
			1 mm Increment	Tolerance	0.1 mm Increment	Tolerance						
JPAJ	FPAJ	3	8-10	0	8.0-10.0	0	10-25	2	6.5	3.5	4.5	M3
JPEAJ	FPEAJ	4	10-12	-0.2	10.0-12.0	-0.05	15-35	3	8.0	4.5	5.5	M4
		5	12-16		12.0-16.0		15-50	4	9.5	5.5	6.5	M5

Characteristics of Polyacetal and PEEK P.3068-3069

Pusher Pins

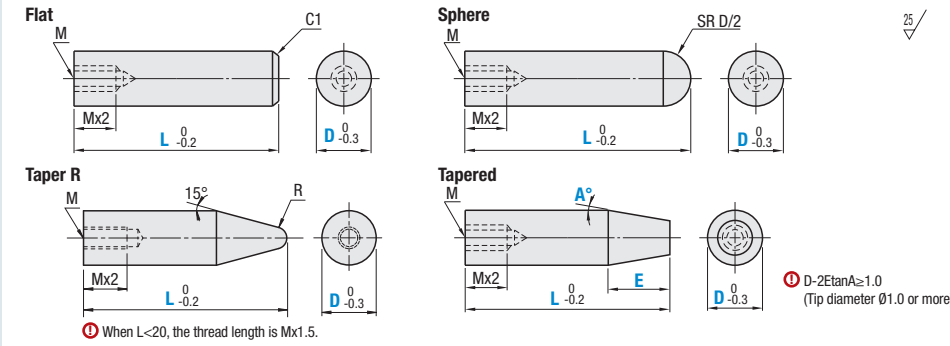
Straight / Small Head

Pusher Pins - Straight



RoHS 10

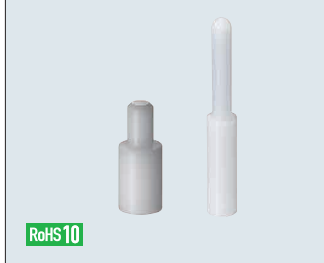
Type	Material	Operating Ambient Temperature			
			Flat	Spherical	Taper R
PPFJ	PPRJ	PPQJ	PPTJ	Polyacetal (White)	-45-95°C
PEPFJ	PEPRJ	PEPQJ	PEPTJ	PEEK (Natural Ivory)	-50-250°C
PMPFJ	PMPRJ	PMPQJ		Conductive MC Nylon CDR2 (Black)	-40-120°C



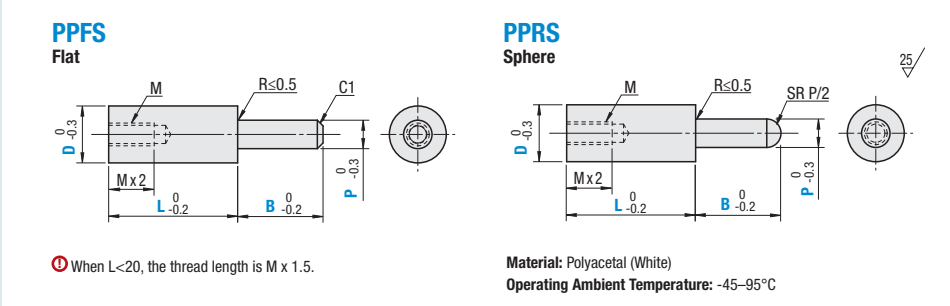
Part Number	Type	D	L 0.5 mm Increment		M	R	
			Flat, Sphere	Taper R			
Flat	Spherical	Taper R	6	10.0-100.0	14.0-100.0	3	1
			8	12.0-100.0	18.0-100.0	4	1.5
			10	13.0-100.0	20.0-100.0	5	2
			12	16.0-100.0	26.0-100.0		
			15	19.0-100.0	34.0-100.0		
20	40.0-100.0	50.0-100.0	6	3			
25	20.0-100.0						

Part Number	Type	D	L	E	A	M	
							0.5 mm Increment
Tapered	PPTJ	PEPTJ	6	14.0-100.0	5.0 ≤ E ≤ 40 and E ≤ L-Mx3	1-45	3
			8	18.0-100.0			4
			10	20.0-100.0			5
			12				6
			15				6
20							
25							

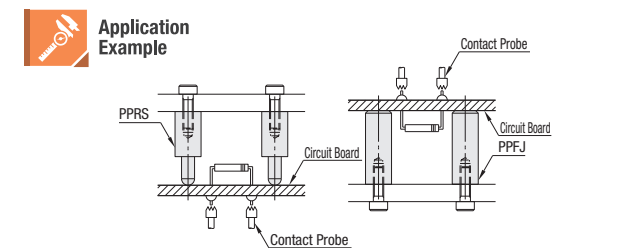
Pusher Pins - Small Head



RoHS 10



Part Number	Type	D	P	L	B	M
PPFS	Flat	6	3.0-6.0	10.0-100.0	3.0-20.0	3
						4
						5
						6
PPRS	Sphere	6	4.0-8.0	11.0-100.0	B ≥ P/2+1	4
						5
						6
						12
						15
20						
25						



Part Number Example

Straight

Part Number	L	E	A
PPFJ10	40.0		
PPTJ12	40.0	E10	A5

Small Head

Part Number	P	L	B
PPFS6	P3.0	L50.5	B10.5

Part Number Example

Part Number	L	E	A	(HSC, SC)
PPFJ10	40.0			SC15

Alterations	Thread insert	Width Across Flats			
		HSC	SC		
Spec.	Adds thread insert to M section part. Ordering Code: HSC	Width Across Flats SC: 1 mm Increment SC+ℓ+D/2 ≤ L SC-Mx3 Ordering Code: SC15	D	W	ℓ
			6	5	8
			8	7	8
			10	8	10
			12	10	10
			15	13	10
20	17	10			
25	22	10			