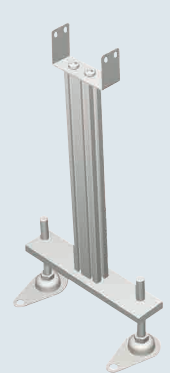
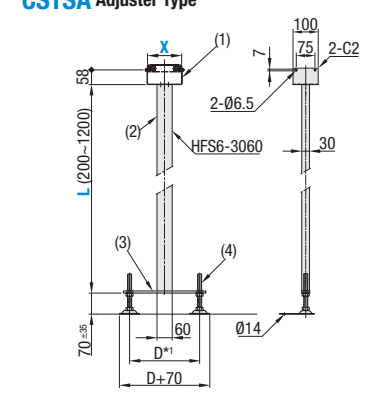


Conveyor Stands

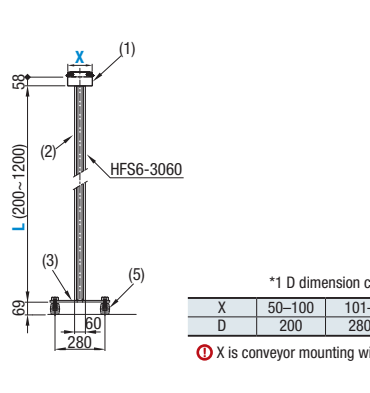
Conveyor Stand I Type



Conveyor Stand I Type (1 set)
CSTSA Adjuster Type



CSTSC Caster Type



***1 D dimension chart**

X	50-100	101-
D	200	280

ⓧ X is conveyor mounting width.

ⓧ The unit will not stand on its own.

	(1)Bracket	(2)Aluminum Extrusion	(3)Base Plate	(4)Level Adjusting Bolt	(5)Caster
Material	304 Stainless Steel	Aluminum	Steel	Steel	Plastic
Surface Treatment	2B	Clear Anodize	Trivalent Chromate	Trivalent Chromate	—

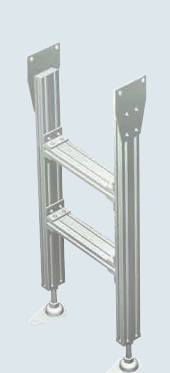
ⓧ The stands are shipped unassembled. Assembly by customers required.

Part Number		X 1mm Increment	L 10mm Increment
Type	Shape		
CSTS	A (Adjuster)	50-200	100-490
	C (Caster)		500-690
			700-990
			1000-1200

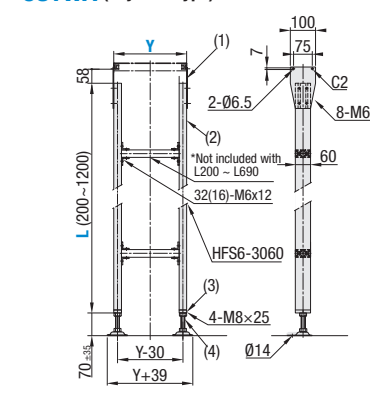
Part Number Example Part Number - X - L

CSTSA - X100 - L800

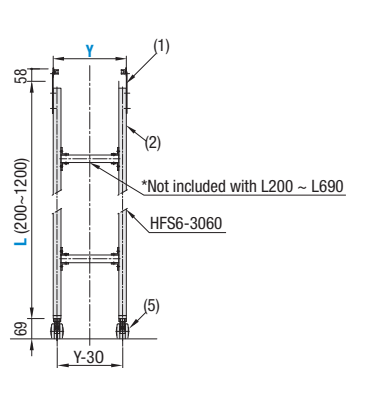
Conveyor Stand H Type



Conveyor Stand H Type (1 set)
CSTWA (Adjuster Type)



CSTWC (Caster Type)



***1 D dimension chart**

Y	150-200	201-
L	500-690	700-990
		1000-1200

ⓧ The unit will not stand on its own.

	(1)Bracket	(2)Aluminum Extrusion	(3)Base Plate	(4)Level Adjusting Bolt	(5)Caster
Material	Steel	Aluminum	Steel	Steel	Plastic
Surface Treatment	Trivalent Chromate	Clear Anodize	Trivalent Chromate	Trivalent Chromate	—

ⓧ The stands are shipped unassembled. Assembly by customers required.

Part Number		Y 1mm Increment	L 10mm Increment
Type	Shape		
CSTW	A (Adjuster)	150-600	100-490
	C (Caster)		500-690
			700-990
			1000-1200

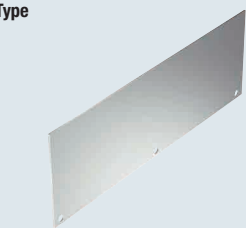
Part Number Example Part Number - Y - L

CSTWC - Y500 - L1000

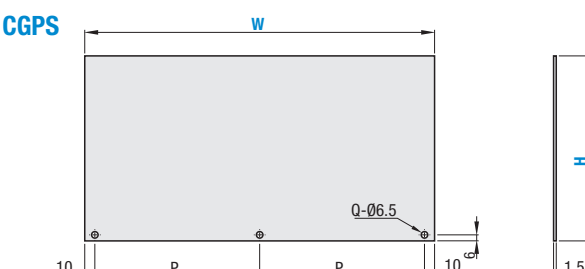
Sheet Metal Fixed Guides for Conveyors

Straight Type / Y Type / Z Type

Guides for Conveyors – Straight Type



CGPS



W dim. / Holes, Pitch dim.

W	Q (Holes)	P (Hole Pitch)
50-200	2	(W-20) / (Q-1)*
201-500	3	
501-800	4	

* Placed Evenly
ⓧ All Corners C2


Material: 304 Stainless Steel one side polished

Part Number	W 1mm Increment	H 1mm Increment
CGPS	50-800	30-100 101-200

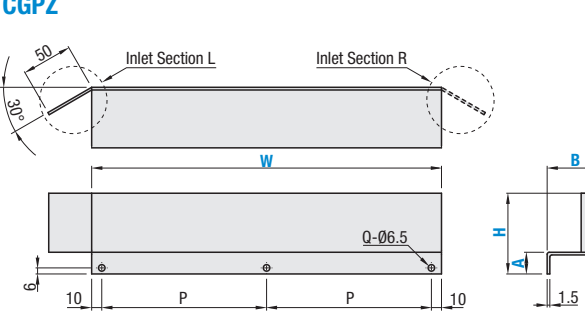
Part Number Example Part Number - W - H

CGPS - W200 - H50

Guides for Conveyors – Z Type



CGPZ



W dim. / Holes, Pitch dim.

W	Q (Holes)	P (Hole Pitch)
50-200	2	(W-20) / (Q-1)*
201-500	3	
501-800	4	

* Placed Evenly
ⓧ All Corners C2

Material: 304 Stainless Steel one side polished


Part Number	W 1mm Increment	H 1mm Increment	A 1mm Increment	B 1mm Increment	Inlet Section Mounting Direction
CGPZ	50-800	30-100 101-200	20-100	10-50	L R N

Part Number Example Part Number - W - H - A - B - Inlet Section Mounting Direction

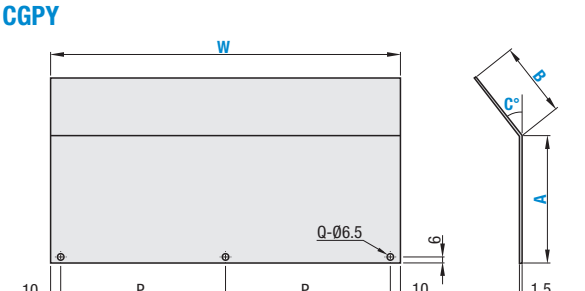
CGPZ - W500 - H100 - A50 - B50 - L

* N does not have the Inlet Section.

Guides for Conveyors – Y Type



CGPY



W dim. / Holes, Pitch dim.

W	Q (Holes)	P (Hole Pitch)
50-200	2	(W-20) / (Q-1)*
201-500	3	
501-800	4	

* Placed Evenly
ⓧ All Corners C2

Material: 304 Stainless Steel one side polished

Part Number	W 1mm Increment	A 1mm Increment	B 1mm Increment	C
CGPY	50-800	20-100	10-50	15 30 45

Part Number Example Part Number - W - A - B - C

CGPY - W800 - A80 - B50 - C30

