


Engineered Plastic Bearings


Bracket-Equipped Flat / Bracket-Equipped Crowned / U Groove / V Groove / One Side Flanged Type

Rollers & Conveyor Components

Engineered Plastic Bearings – Bracket-Equipped Flat Type



Engineered Plastic Bearings – Bracket-Equipped Crowned Type

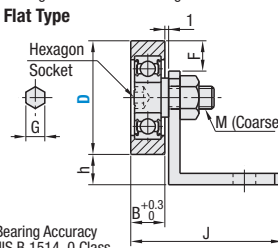


RoHS 10

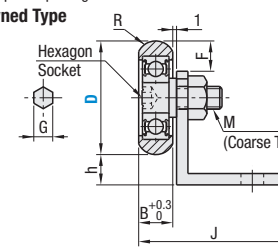
Type		Material			Surface Treatment		Accessory
Flat Type	R Type	Surface Plastic	Bearing	Shaft	Shaft		
ENHS	—	Polyacetal	440C Stainless Steel or Equivalent	304 Stainless Steel Equivalent	—	(1) Bracket (Clear Anodize)	(2) Nut (M6)
ENH	ERNH		52100 Bearing Steel	SWCH Carbon Steel	Trivalent Chromate		

ⓘ Engineered Plastic Bearings and accessories are in separate packages.

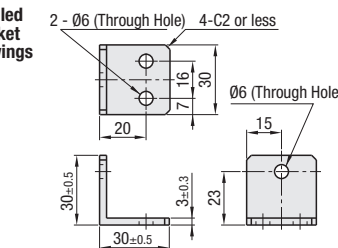
Flat Type



Crowned Type



Detailed Bracket Drawings




Bearing Accuracy JIS B 1514 0 Class

Part Number	Type	D	Allowable Load N () indicates 304 Stainless Steel	F	R	h	B		M (Coarse)	J		Hexagon Socket G	Bearing Used
							Flat Type	R Type		Flat Type	R Type		
ENHS	Flat Type	24	78.4	5	—	11	6	7	6	37	39	2.5	696ZZ
ENH	R Type	26	(39.2)	6	5	10	8	8	—	—	—	—	—
ENH	Flat Type	30	176	8	—	8	9	9	6	40	40	5	608ZZ
ENH	R Type	35	(88)	10.5	—	5.5	—	—	—	—	—	—	—


ⓘ For detailed bearing dimensions, see P.1028-1029. kgf=Nx0.101972

Engineered Plastic Bearings – U Groove Type



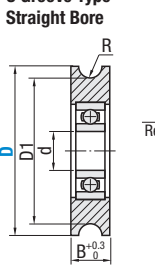
RoHS 10

Engineered Plastic Bearings – V Groove Type

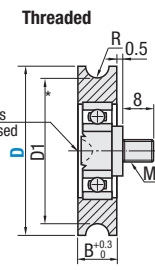


Shape	Type			Material			Surface Treatment
	Straight Bore	Threaded Stud	Threaded Stud Hex Socket	Surface Plastic	Bearing	Shaft	
U Groove	EUBS	EUBBS	EUBHS	Polyacetal	440C Stainless Steel or Equivalent	304 Stainless Steel or Equivalent	—
	EUB	EUBB	EUBH		52100 Bearing Steel	SWCH Carbon Steel	Trivalent Chromate
V Groove	EVB	EVBB	EVBH				

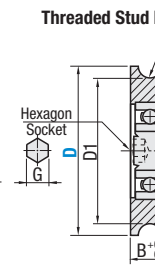
U Groove Type Straight Bore



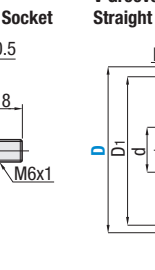
Threaded



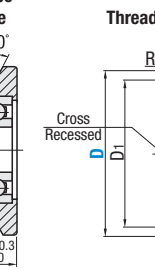
Threaded Stud Hex Socket



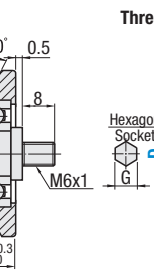
V Groove Type Straight Bore



Threaded



Threaded Stud Hex Socket



* Only Stainless Steel Type has a flat head screwdriver slot and an undercut at the base of the neck.


Bearing Accuracy JIS B 1514 0 Class

Part Number	Type	D	Allowable Load N	d	D ₁	B	R		Hexagon Socket G	Bearing Used
							U Groove Type	V Groove Type		
EUBS	Threaded Stud	22	78.4	6	19	7	—	—	2.5	696ZZ
EUB	Threaded Stud Hex Socket	24	(39.2)	6	21	—	—	—	—	—
EVB	Threaded Stud Hex Socket	30	176	8	27	9	2.5	0.6	5	608ZZ
EVB	Threaded Stud Hex Socket	35	(88)	8	31	—	—	—	—	—

ⓘ With the B=7 size U-Groove Threaded Stud Type, the screw head may protrude above the B dimension. kgf=Nx0.101972

ⓘ For detailed bearing dimensions, see P.1028-1029.

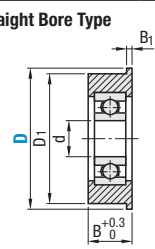
Engineered Plastic Bearings – One Side Flanged Type



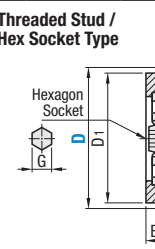
RoHS 10

Type	Material			Surface Treatment	
	Straight Bore	Threaded Stud Hex Socket	Surface Plastic	Bearing	Shaft
EKB	EKBH	Polyacetal	52100 Bearing Steel	SWCH Carbon Steel	Trivalent Chromate

Straight Bore Type



Threaded Stud / Hex Socket Type

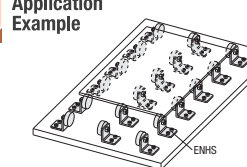


Bearing Accuracy JIS B 1514 0 Class

Part Number Example

EB24
ERB24
EUB24
EKB35

Application Example




Guide Rollers

V-Groove 60° / V-Groove 90° / Sheave Type (for Wire Cables)

Features: Can be used for a various guides for rails and workpieces. For 60°= Wire, for 90°= L channel, for Sheaves = Wire Cable.

Guide Rollers – V-Groove 60° / V-Groove 90° / Sheave Type (for Wire Cables)

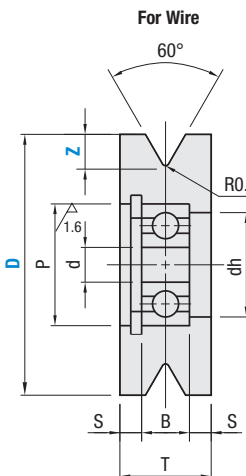


RoHS 10

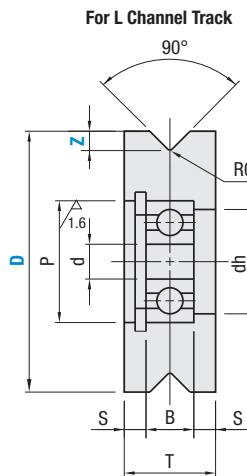
60°: For Wire	90°: For Channel	Sheave (For wire cable)	Main Material	Surface Treatment	Material	
					Retaining Ring	Bearing
VMRN	VMQN	—	1045 Carbon Steel or Equivalent	—	Spring Steel	Steel
VMRB	VMQB				Black Oxide	
VMRG	VMQG	—	Aluminum Alloy	Electroless Nickel Plating	Stainless Steel	Steel
VMRA	—				Clear Anodize	
VMRP	—	—	Conductive MC Nylon	—	—	—
VMRM	—				SMRN	

Bearing Accuracy JIS B1514 0 Class ⓘ Bearings are press-fitted.

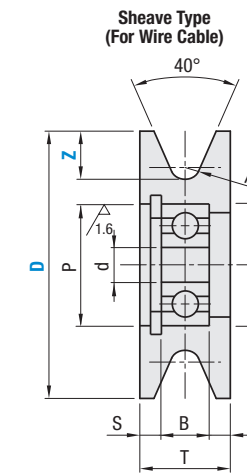
For Wire



For L Channel Track



Sheave Type (For Wire Cable)



Part Number	Type	D	Z Groove Depth		d	P	d _s	T	S	B	r	Applicable Wire Cable Dia.	Bearing		
			60° / Sheave	90°											
For Wire VMRN VMRB VMRG VMRA VMRP VMRM	For L Channel Track VMQN VMQB VMQG	Sheave Type (For Wire Cable) SMRN	(20)	4	3	3	10	8	10	3	4	—	623ZZ		
			(30)			5	16	13		2.5	5	—	625ZZ		
			40			6	19	16		12	3	6	—	626ZZ	
			40	5	—	6	19	16	12	3	6	—	—	626ZZ	
			(40)			8	24	21	14	3	8	—	—	628ZZ	
			(50)			10	26	23	14	3	8	—	—	6000ZZ	
			*50	9	—	10	26	23	14	3	8	2.2	4	—	6000ZZ
			*60			10	26	23	16	4	8	3.3	6	—	—
			*60			10A	10	26	23	18	5	8	4.4	8	—
			60	11	—	10	26	23	16	4	8	—	—	—	—
			(60)			10	26	23	16	4	8	—	—	—	—
			*60			12	28	25	20	6	8	5.5	10	—	—
(100)	12	28	25	16	4	8	—	—	—	—	—	—			

ⓘ 90°: L Channel Track is only applied types in ()

ⓘ For Sheave (For wire cable), only * marked sizes are available.

D	60° Sheave	90°	Available Types										
			For Wire				For L Channel Track		Sheave Type				
			VMRN	VMRB	VMRG	VMRA	VMRP	VMRM	VMQN	VMQB	VMQG	SMRN	
20	4	3	•	•	•	•	•	•	•	•	•	—	
30			•	•	•	•	•	•	•	•	•	•	—
40			•	•	•	•	•	•	•	•	•	•	—
30	5	—	•	•	•	•	•	•	•	•	•	—	
40			•	•	•	•	•	•	•	•	•	•	—
40			•	•	•	•	•	•	•	•	•	•	—
50	7	5	•	•	•	•	•	•	•	•	•	—	
50			•	•	•	•	•	•	•	•	•	•	—
50			•	•	•	•	•	•	•	•	•	•	—
60	9	—	•	•	•	•	•	•	•	•	•	—	
60			•	•	•	•	•	•	•	•	•	•	—
60			•	•	•	•	•	•	•	•	•	•	—
60	10A	—	•	•	•	•	•	•	•	•	•	—	
60			•	•	•	•	•	•	•	•	•	•	—
60	11	6	•	•	•	•	•	•	•	•	•	—	
100			•	•	•	•	•	•	•	•	•	•	—

Part Number	Groove Depth Z
VMRA40	5
SMRN50	9
VMQN40	5

Rollers & Conveyor Components