

# Rollers

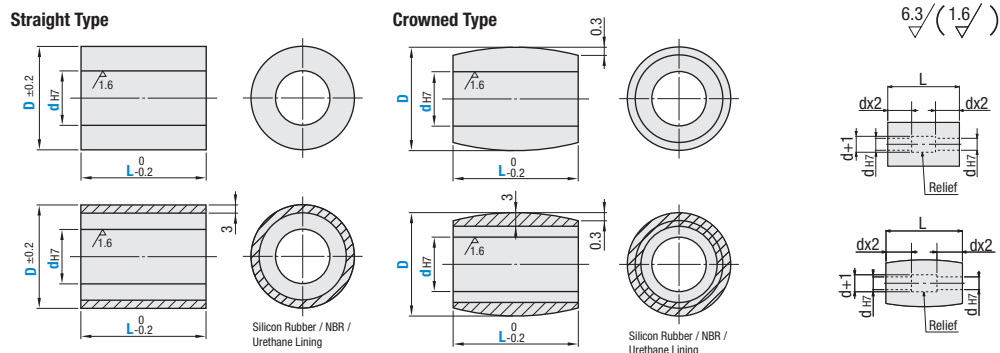
## Straight Type / Crowned Type (L=15-100)

Rollers - Straight Type / Crowned Type (L=15-100)



Type				Material	Surface Treatment (Lining)	Hardness	
Straight		Crowned					
L Selectable	L Configurable	L Selectable	L Configurable	Core			
ROLB	—	—	—	1045 Carbon Steel or Equivalent	Black Oxide	—	
ROLM	—	—	—	—	Electroless Nickel Plating	—	
ROLS	—	ROCS	—	304 Stainless Steel	—	—	
ROLA	—	ROCA	—	Aluminum Alloy	Clear Anodize	—	
ROKS	—	—	—	304 Stainless Steel	Urethane (Natural Color)	Shore A95	
ROKA	—	—	—	Aluminum Alloy		Shore A95	
ROUS	ROFUS	ROCUS	—	304 Stainless Steel		Shore A90	
ROUA	ROFUA	ROCUA	ROFCUA	Aluminum Alloy		Shore A90	
ROGS	—	ROCGS	—	304 Stainless Steel		Shore A70	
ROGA	ROFGA	ROCGA	—	Aluminum Alloy			
ROHS	ROFHS	ROCHS	—	304 Stainless Steel			
ROHA	ROFHA	ROCHA	—	Aluminum Alloy			
ROMS	—	—	—	304 Stainless Steel		Antistatic Urethane (Gray)	Shore A90
ROMA	—	—	—	Aluminum Alloy			
ROSS	ROFSS	ROCSS	—	304 Stainless Steel	Silicon Rubber (Light Gray)	Shore A70	
ROSA	—	—	—	Aluminum Alloy			
ROJA	—	—	—	Aluminum Alloy			
ROTS	—	—	—	304 Stainless Steel	Heat Resistant Urethane (Red Brown) Operating Temperature: -110°C	Shore A90	
ROTA	—	—	—	Aluminum Alloy			
RONA	—	—	—	Aluminum Alloy	NBR Nitrile Rubber (Black)	Shore A60	

Urethane, Silicon Rubber and NBR Nitrile Rubber are baked on the roller's outer diameter.



When L ≤ dx3, hole d is machined from the same direction.  
When L > dx3, hole d is machined from both ends as shown below. There is no relief in some cases.

RoHS 10

### L Selectable

Type	Part Number		D	d <sub>H7</sub>	L					
	Core Only	Crowned			15	20	25	30	40	50
Urethane	ROKS	ROCA	20	8						
Silicon Rubber	ROSS	ROJA	25	8 10 12						
Crowned Core Only	ROCS	ROCUA	30	8 10 12 15						
	ROCUA	ROFCUA	35	10 12 15 20						
Urethane	ROGS	ROCGA	40	10 12 15 20						
	ROGA	ROCGA	50	12 15 20 25						
Heat Resistant Urethane	ROHS	ROCHA	60	12 15 20 25 30						
	ROHA	ROCHA	80	15 20 25 30						
NBR Nitrile Rubber	ROMS	ROCSS								
	ROMA	ROCSS								

D60 and D80 are not available for ROSS, ROSA, ROJA, ROCSS and RONA.

### L Configurable

Type	Part Number		D	d <sub>H7</sub>	L					
	Straight	Crowned			1mm Increment					
Urethane	ROFUS	ROFCUA	20	8						
Urethane	ROFUA	ROFCUA	25	8 10 12						16-49
	ROFGA	ROFCUA	30	8 10 12 15						
	ROFHS	ROFCUA	35	10 12 15 20						21-49
	ROFHA	ROFCUA	40	10 12 15 20						
Silicon Rubber	ROFSS	ROFCUA	50	12 15 20 25						26-99
	ROFSS	ROFCUA	60	12 15 20 25 30						31-99
	ROFSS	ROFCUA	80	15 20 25 30						41-99

Urethane may discolor over time, but there is no effect on physical properties.

D60 and D80 are not available for ROFSS.

# Rollers

## Straight Type / Crowned Type (L=15-100), continued

Part Number Example: ROKS20 - 8 - 30

### L Dimension Selectable Straight

D	L	Available Types																			
		Core Only						Urethane						Antistatic Urethane		Silicon			Heat Resistant Urethane		NBR Nitrile Rubber
		ROLB	ROLM	ROLS	ROLA	ROKS	ROKA	ROUS	ROUA	ROGS	ROHS	ROGA	ROHA	ROMS	ROMA	ROSS	ROSA	ROJA	ROTS	ROTA	RONA
20	15-25	*	*	*	*	*	*	*	*	*	*	*	*	*	*	*	*	*	*	*	*
	30-50	*	*	*	*	*	*	*	*	*	*	*	*	*	*	*	*	*	*	*	*
25	15-25	*	*	*	*	*	*	*	*	*	*	*	*	*	*	*	*	*	*	*	*
	30-50	*	*	*	*	*	*	*	*	*	*	*	*	*	*	*	*	*	*	*	*
30	15-25	*	*	*	*	*	*	*	*	*	*	*	*	*	*	*	*	*	*	*	*
	30-50	*	*	*	*	*	*	*	*	*	*	*	*	*	*	*	*	*	*	*	*
35	20-25	*	*	*	*	*	*	*	*	*	*	*	*	*	*	*	*	*	*	*	*
	30-50	*	*	*	*	*	*	*	*	*	*	*	*	*	*	*	*	*	*	*	*
40	20-25	*	*	*	*	*	*	*	*	*	*	*	*	*	*	*	*	*	*	*	*
	30-50	*	*	*	*	*	*	*	*	*	*	*	*	*	*	*	*	*	*	*	*
50	25	*	*	*	*	*	*	*	*	*	*	*	*	*	*	*	*	*	*	*	*
	30-50	*	*	*	*	*	*	*	*	*	*	*	*	*	*	*	*	*	*	*	*
60	30-50	*	*	*	*	*	*	*	*	*	*	*	*	*	*	*	*	*	*	*	*
	100	*	*	*	*	*	*	*	*	*	*	*	*	*	*	*	*	*	*	*	*
80	40-50	*	*	*	*	*	*	*	*	*	*	*	*	*	*	*	*	*	*	*	*
	100	*	*	*	*	*	*	*	*	*	*	*	*	*	*	*	*	*	*	*	*

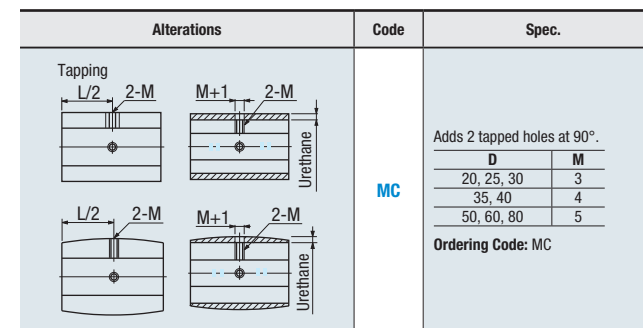
### Crowned

D	L	Available Types						
		Core Only		Urethane			Silicon	
		ROCS	ROCA	ROCUS	ROCUA	ROCGS	ROCGA	ROCSS
20	15-25	*	*	*	*	*	*	*
	30-50	*	*	*	*	*	*	*
25	15-25	*	*	*	*	*	*	*
	30-50	*	*	*	*	*	*	*
30	15-25	*	*	*	*	*	*	*
	30-50	*	*	*	*	*	*	*
35	20-25	*	*	*	*	*	*	*
	30-50	*	*	*	*	*	*	*
40	20-25	*	*	*	*	*	*	*
	30-50	*	*	*	*	*	*	*
50	25	*	*	*	*	*	*	*
	30-50	*	*	*	*	*	*	*
60	30-50	*	*	*	*	*	*	*
	100	*	*	*	*	*	*	*
80	40-50	*	*	*	*	*	*	*
	100	*	*	*	*	*	*	*

### L Dimension Selectable Straight, Crowned

D	L	Available Types					
		Straight			Urethane		Silicon
		ROFUS	ROFUA	ROFHS	ROFGA	ROFSS	ROFCUA
20	16-25	*	*	*	*	*	*
	26-49	*	*	*	*	*	*
25	16-25	*	*	*	*	*	*
	26-49	*	*	*	*	*	*
30	16-25	*	*	*	*	*	*
	26-49	*	*	*	*	*	*
35	21-25	*	*	*	*	*	*
	26-49	*	*	*	*	*	*
40	21-25	*	*	*	*	*	*
	26-49	*	*	*	*	*	*
50	26-50	*	*	*	*	*	*
	51-99	*	*	*	*	*	*
60	31-50	*	*	*	*	*	*
	51-99	*	*	*	*	*	*
80	41-50	*	*	*	*	*	*
	51-99	*	*	*	*	*	*

Part Number Alterations Example: ROUS20 - 8 - 30 - UDC



Alterations	Code	Spec.
Change to Antistatic Urethane (Urethane Color: Gray)	UDC	Urethane shore A90 (ROUSN, ROCUSN, ROUAN and ROCUAN) is changed to Antistatic Urethane. Ordering Code: UDC Specific Volume Resistivity 2.1 x 10 <sup>8</sup> Ω · cm Surface Resistivity 4.0 x 10 <sup>9</sup> Ω (Temperature 30°C / Humidity 60%)