


# Roller Follower Pins

## Retaining Ring

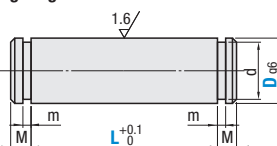
Roller Follower Pins – Retaining Ring



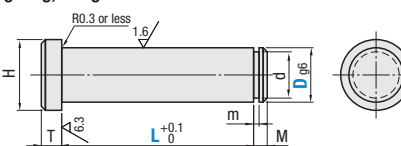
Type		Material	Surface Treatment
Retaining Ring	Retaining Ring, Flanged		
RFC	RFS	1045 Carbon Steel or Equivalent	Black Oxide
RFCS	RFSS	304 Stainless Steel	—

$25 \sqrt[3]{(6.3/1.6)}$

Retaining Ring



Retaining Ring, Flanged

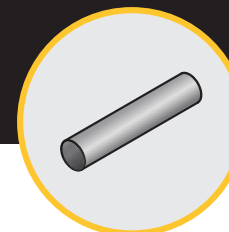
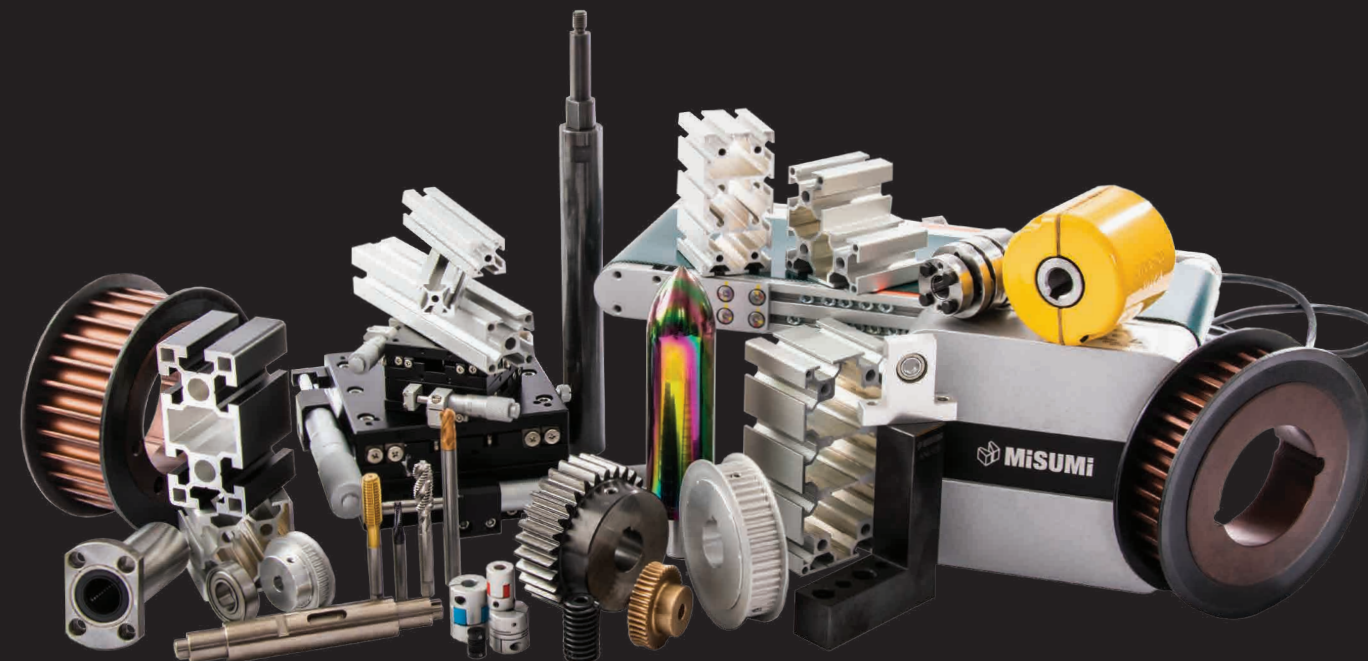


Part Number		D <sub>96</sub>	L 1 mm Increment	d	Tolerance		m	Tolerance	M	T	H
Type	D <sub>96</sub>										
Retaining Ring RFC RFCS	Retaining Ring, Flanged RFS RFSS	5	20–44	4	+0.075	0	0.7	+0.1	2	2	10
		6	22–46	5	0						11
		8	22–47	7	+0.09	0	0.9	3	3	13	
		10	25–48	9.6	0					15	
		12	25–48	11.5	0	1.15	+0.14	0	4	4	17
		15		14.3	-0.11						20
		17	25–58	16.2	0	1.35	0	4	4	23	
		20	25–68	19	-0.21					27	

Part Number Example

Part Number	-	h
RFC5	-	40
RFSS5	-	22

# MISUMI: CONFIGURED TO SAVE TIME



### STANDARD

Off the shelf, stock materials

- Limited Selection
- Compromised Design

- + 3D Model
- + Part Number
- + Low Cost
- + Convenient

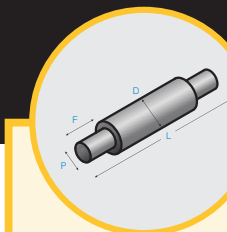


### CUSTOM

Customization at a machine shop

- Create a CAD model
- Create a Manufacturing Drawing
- Long Quote Time
- Setup Charge
- Expensive
- Long Delivery

- + Uncompromised Design



### CONFIGURABLE

MISUMI offers a 3rd choice combining the best of both

#### MISUMI offers:

- + Convenience
- + Global Part Number
- + Unlimited Selection
- + Low Cost
- + Uncompromised Design
- + Reliable Delivery
- + 3D Model



**MISUMI**  
**RAPiD Design**  
rapiddesign.misumiusa.com

### RAPIDLY DESIGN OVER 80 SEXTILLION PART CONFIGURATIONS

Rapid Design is a free software suite to streamline the design process. InCAD Components is the beginning of the suite and runs alongside SolidWorks®. It allows the user to manipulate MISUMI's configurable components, research pricing, and access technical information—without leaving SolidWorks.