

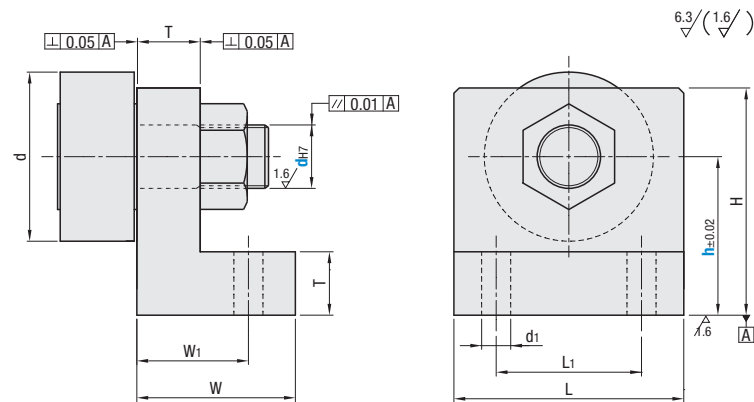
# Cam Followers with Brackets

## L-Shaped

Cam Followers with Brackets – L-Shaped



Type	Brackets		Cam Follower Shapes		Included Cam Followers
	Material	Surface Treatment	Shape	Material	
CMFLBF	1045 Carbon Steel or Equivalent	Black Oxide	Flat	52100 Bearing Steel	CFFA (CFFH for d=12)
CMFLF		Electroless Nickel Plating		440C Stainless Steel	CFFAS (CFFSH for d=12)
CMFLSF	304 Stainless Steel	—	Crown	52100 Bearing Steel	CFUA (CFUH for d=12)
CMFLBU	1045 Carbon Steel or Equivalent	Black Oxide		440C Stainless Steel	CFUAS (CFUSH for d=12)
CMFLU		Electroless Nickel Plating			
CMFLSU	304 Stainless Steel	—			



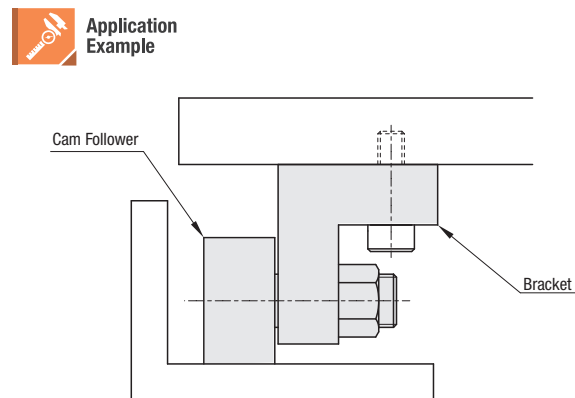
RoHS10

For Brackets and Cam Followers alone, see P.1074 and P.1082 respectively.

Part Number	Type	d	h 1mm Increment	D	H	T	L <sub>1</sub>	L	W	W <sub>1</sub>	d <sub>1</sub>
CMFLF	6	17-32	16	h+6	19	29	22	15			
CMFLSF	8	20-38	19	h+7	22	32	24	17			
CMFLBU	10	25-52	26	h+10	12	29	42	28	20	6.5	
CMFLU	12	28-64	32	h+11		31	47	28	20		

Part Number Example

Part Number	-	h
CMFLF10	-	40
CMFLU10	-	50



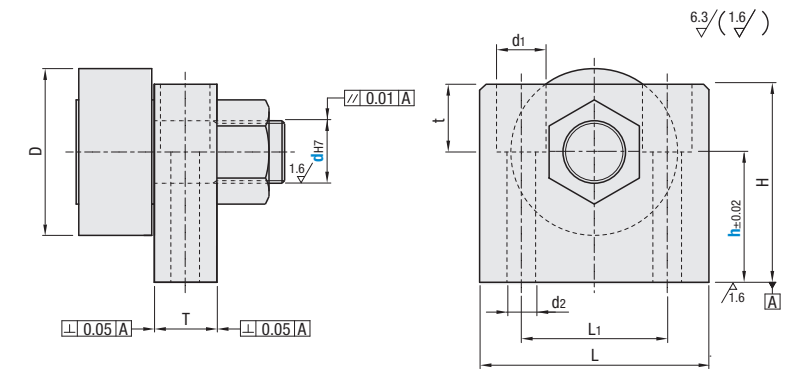
# Cam Followers with Brackets

## Standard

Cam Followers with Brackets – Standard



Type	Brackets		Cam Follower Shapes		Included Cam Followers
	Material	Surface Treatment	Shape	Material	
CMFBF	1045 Carbon Steel or Equivalent	Black Oxide	Flat	52100 Bearing Steel	CFFA (CFFH for d=12)
CMFF		Electroless Nickel Plating		440C Stainless Steel	CFFAS (CFFSH for d=12)
CMFSF	304 Stainless Steel	—	Crown	52100 Bearing Steel	CFUA (CFUH for d=12)
CMFBU	1045 Carbon Steel or Equivalent	Black Oxide		440C Stainless Steel	CFUAS (CFUSH for d=12)
CMFU		Electroless Nickel Plating			
CMFSU	304 Stainless Steel	—			



RoHS10

For Brackets and Cam Followers alone, see P.1074 and P.1082 respectively.

Part Number	Type	d	h 1mm Increment	D	H	T	L <sub>1</sub>	L	d <sub>1</sub>	d <sub>2</sub>	t
CMFF	8	15-30	19	h+7	9.5	5.5	6.5				
CMFSF	10	20-35	26	h+10	12	26	42	11	6.5	10	
CMFBU	12	20-40	32	h+11							28

Part Number Example

Part Number	-	h
CMFBF6	-	20
CMFBU8	-	25

