

Angular Contact Bearings with Housings

Back-to-Back Combination + Deep Groove Ball Bearings with Pilot

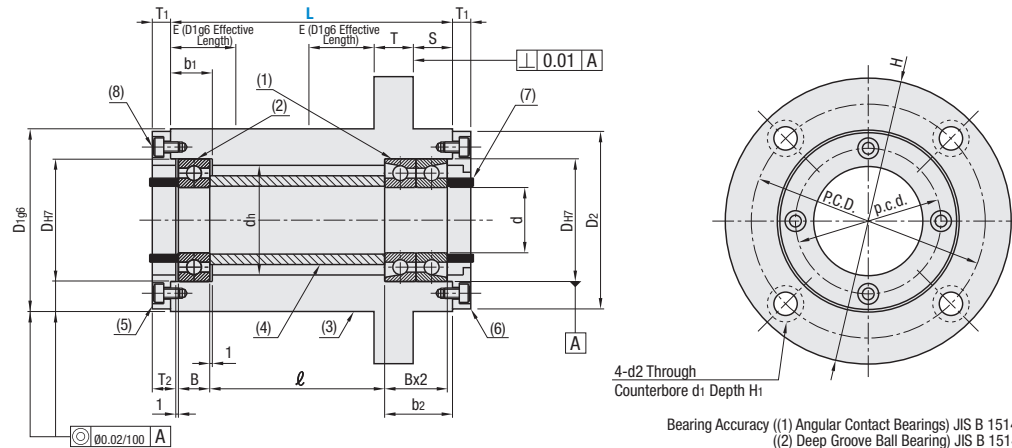
Angular Contact Bearings with Housings – Back-to-Back Combination + Deep Groove Ball Bearing with Pilot



RoHS 10

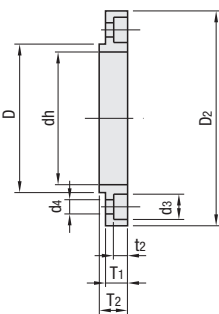
Type	(1) Angular Contact Bearings (Back-to-Back) (2) Deep Groove Ball Bearing	(3) Housings (4) Inner Ring Spacers (5) Standard Covers (6) Standard / Oil Seal / O-Ring Covers (7) Inner Ring Collars	(8) Cover Mounting Screws		
	Material	Material	Surface Treatment	Material	Surface Treatment
ABGYB	52100 Bearing Steel	1045 Carbon Steel or Equivalent	Black Oxide	4137 Alloy Steel or Equivalent	Black Oxide
ABGY			Electroless Nickel Plating	304 Stainless Steel	—

- ⓘ The Angular Contact Bearings with Housing is delivered with the parts unassembled to the holder body.
- ⓘ Be sure that bearing outer race rings and inner rings are firmly fixed by the covers and bearing lock nuts before use. 1mm axial clearance is designed on each side of the deep groove bearing outer ring where the inner ring can be tightened without adjusting the length of the inner ring spacer.
- ⓘ A normal cover is included with Deep Groove Ball Bearing side (5) as a standard accessory. For Angular Contact Bearings (6), please select N Standard Covers, S Oil Seal Covers or R O-Ring Covers.
- ⓘ Collar (4) is not included with Cover for Oil Seal and O-Ring.
- ⓘ Contact with O-Ring may generate some friction.



Bearing Accuracy ((1) Angular Contact Bearings) JIS B 1514 Class 4 * Contact Angle 15° ((2) Deep Groove Ball Bearing) JIS B 1514 Class 0

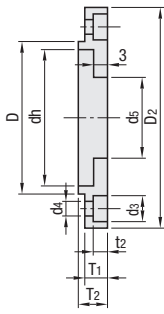
(5) Standard Cover (Included)



(6) Selection

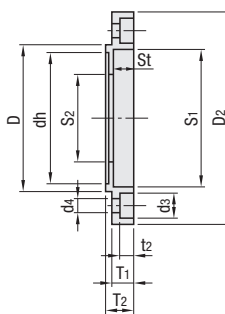
Standard Cover

N



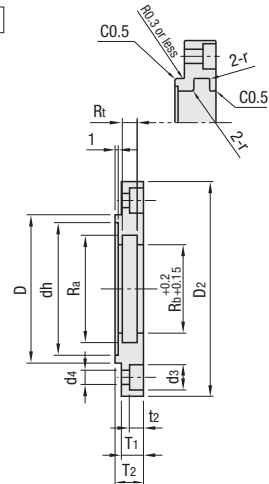
Cover for Oil Seal

S



Cover for O-Ring

R



Accessories: Oil Seal (JIS G D Nitrile Rubber)

Accessories: O Ring (JIS P Nitrile Rubber)

Type	Bearing No.	(6) Cover Selection	L	S	d	D _{H7}	Tolerance	B	b ₁	b ₂	Deep Groove Ball Bearing No.	H	D ₂	T	dh	E	D ₁₉₆	Tolerance	P.C.D.	d ₁	d ₂	H ₁	
																							ABGYB Black Oxide
ABGYB Black Oxide	7002	N Standard Cover	60	75	15	32	+0.025 0	9	13	20	6002ZZ	75	48	12	28	18	50	-0.009 -0.025	62	11	6.6	6.5	
	7003		70	85	17	35		10	14	22	6003ZZ	92	58	15	36	22	60		75	14	9	8.5	
	7004		80	100	20	42		12	16	26	6004ZZ	98	63	18	41	22	65		80	98			
	7005		100	125	25	47		13	17	28	6005ZZ	120	78	18	48	27	80		106				
	7006		120	150	30	55		14	18	30	6006ZZ	140	92	20	55	30	86		116	17.5	11	10.5	
ABGY Electroless Nickel Plating	7007	S Oil Seal	140	175	35	62	+0.030 0	15	19	32	6007ZZ	145	98	20	69	100	-0.012 -0.034	122					
	7008		160	200	40	68		16	20	34	6008ZZ	147	101	20	74	105		124					
	7009		180	225	45	75					6009ZZ												
	7010		200	250	50	80					6010ZZ												

Angular Contact Bearings with Housings

Back-to-Back Combination + Deep Groove Ball Bearings with Pilot, continued

No.	(5) (6) Cover Details										(6) Cover Details							(8) Cover Mounting Screws		
	D	D ₂	dh	T ₁	T ₂	P.C.D.	d ₃	d ₄	t ₂	N Standard Cover	S Oil Seal Covers				R O-Ring Covers					
											d ₅	S ₁	S ₂	St	Accessory Oil Seal	Ra	Rb		Rt	r
7002	32	48	28	6	8	40	6.5	3.5	3.1	21	32	22	5	G20325	24	20	3.2	0.4	P20	M3-8
7003	35	51	31	7	9	40	6.5	3.5	3.1	21	32	22	5	G20325	24	20	3.2	0.4	P20	M3-8
7004	42	58	36	7	9	48	8	4.5	4.1	26	35	27	6	D25356	31	25			P25	M4-10
7005	47	63	41	8	10	53	8	4.5	4.1	31	40	32	7	D30407	36	30			P30	M4-10
7006	55	78	48	8	10	64	9.5	5.5	5.1	41	50	42	6.5	D40506.5	41	35			P35	M5-12
7007	62	84	55	9	11	72	11	6.6	6.1	46	60	47	9	D45609	46	40			P40	M5-12
7008	68	92	60	9	11	78	11	6.6	6.1	51	65	52	9	D50659	51	45			P45	M6-12
7009	75	98	69	9	11	85	11	6.6	6.1	56	70	57	9	D55709	56	50			P50	M6-12
7010	80	101	74	11	13	88	11	6.6	6.1	61	75	62	9	D60759	70	60	7.5	0.8	P60	M6-15

No.	(7) Collar Details			(4) Inner Ring Spacer Details		
	Outer Diameter	Inner Diameter	Thickness	Outer Diameter	Inner Diameter	Thickness (l)
7002	20	15	8.5	20	15	L-32
7003	25	17	8.5	25	17	L-35
7004	25	20	9.5	25	20	L-41
7005	30	25	10.5	30	25	L-41
7006	40	30	10.5	40	30	L-44
7007	45	35	11.5	45	35	L-47
7008	50	40	11.5	50	40	L-50
7009	55	45	13.5	55	45	L-53
7010	60	50	13.5	60	50	L-54

Part Number Example

Part Number: ABGY 7004 - R - 100

Type: Bearings - Cover - L

